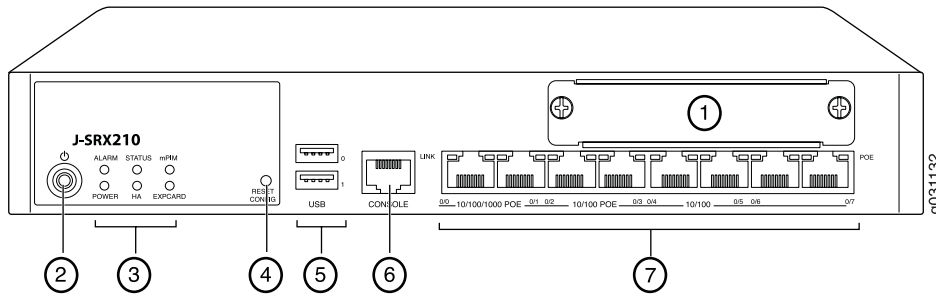




Dell PowerConnect J-Series J-SRX210 Services Gateway Quick Start

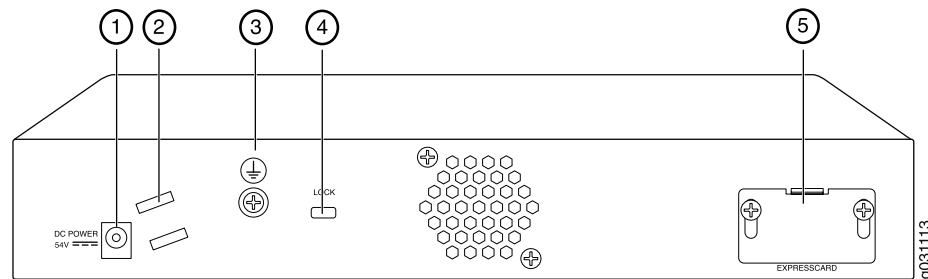
Use the instructions in this quick start to help you connect the Dell PowerConnect J-Series J-SRX210 Services Gateway to your network. For details, see the *J-SRX210 Services Gateway Hardware Guide* at <http://support.dell.com/manuals>. (Regulatory model number SRX210)

J-SRX210 Services Gateway (J-SRX210B, J-SRX210H, J-SRX210H-POE) Front Panel



Callout	Description	Callout	Description
1	Mini-PIM slot	5	USB ports
2	Power button	6	Console port
3	LEDs (ALARM, POWER, STATUS, HA, mPIM, EXPCARD)	7	Gigabit Ethernet (0/0 and 0/1) and Fast Ethernet (0/2 to 0/7) ports
4	Reset Config button		

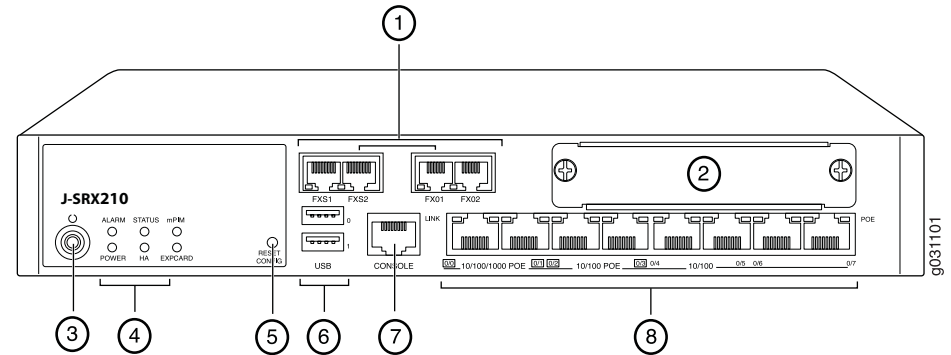
J-SRX210 Services Gateway (J-SRX210B, J-SRX210H, J-SRX210H-POE) Back Panel



Callout	Description	Callout	Description
1	Power supply input	4	Lock for security cable

Callout	Description	Callout	Description
2	Cable tie holder	5	ExpressCard slot
3	Grounding point		

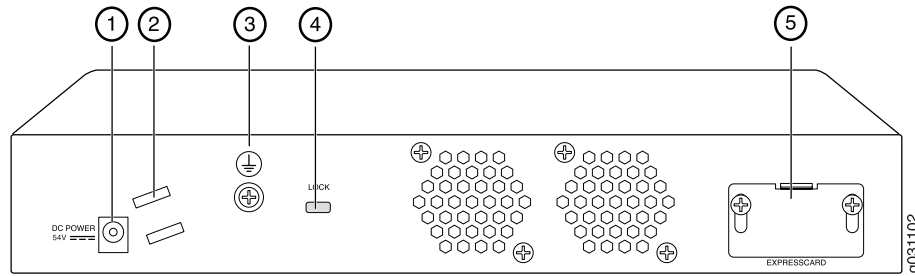
J-SRX210 Services Gateway with Integrated Convergence Services (J-SRX210H-P-MGW) Front Panel



Callout	Description	Callout	Description
1	FXS and FXO voice ports	5	Reset Config button
2	Mini-PIM slot	6	USB ports
3	Power button	7	Console port
4	LEDs (ALARM, POWER, STATUS, HA, mPIM, EXPCARD)	8	Gigabit Ethernet (0/0 and 0/1) and Fast Ethernet (0/2 to 0/7) ports



J-SRX210 Services Gateway with Integrated Convergence Services (J-SRX210H-P-MGW) Back Panel



Callout	Description	Callout	Description
1	Power supply input	4	Lock for security cable
2	Cable tie holder	5	ExpressCard slot
3	Grounding point		

J-SRX210 Services Gateway Models

The following four models of J-SRX210 Services Gateway are available:

Device	DDR Memory	Power over Ethernet	Voice Support
J-SRX210B	512 MB	No	No
J-SRX210H	1 GB	No	No
J-SRX210H-POE	1 GB	Yes	No
J-SRX210H-P-MGW	1 GB	Yes	Yes

NOTE: On the J-SRX210H-PoE and J-SRX210H-P-MGW models, Power over Ethernet (PoE) of 50 watts is supported across 4 ports (ge-0/0/0, ge-0/0/1, fe-0/0/2, and fe-0/0/3).

Connecting and Configuring the J-SRX210 Services Gateway

Use the instructions below to connect and set up any model of the J-SRX210 Services Gateway to protect your network. Refer to the LEDs on the front panel of the device to help you determine the status of the device.

Part 1: Connect the Services Gateway to Earth Ground

1. Obtain a grounding cable—14 AWG single-strand, 4 A—with a ring-type, vinyl-insulated TV14-6R lug or equivalent attached by a licensed electrician.
2. Connect the grounding cable to a proper earth ground.
3. Place the grounding cable lug over the grounding point on the upper rear of the chassis, and secure the lug with one 6-32 UNC screw.

Part 2: Connect the Power Cable to the Device

Connect the power cable to the device and a power source. We recommend using a surge protector. Note the following indications:

- **POWER LED (green):** The device is receiving power.
- **STATUS LED (green):** The device is operating normally.
- **ALARM LED (amber):** The device is operating normally, and may glow amber as a rescue configuration has not been set. This is not a panic condition.
- **mPIM LED (off):** The Mini-Physical Interface Module (Mini-PIM) is not present or is not detected by the device. If this LED is green and steadily on, it indicates that the Mini-PIM is functioning normally.

NOTE: After a rescue configuration has been set, an amber ALARM LED indicates a minor alarm, and a solid red ALARM LED indicates that a major problem exists on the services gateway.

NOTE: You must allow the device between 5 and 7 minutes to boot up after you have powered it on. Wait until the STATUS LED is solid green before proceeding to the next part.

Part 3: Connect the Management Device

Connect the management device to the services gateway using either of the following methods:

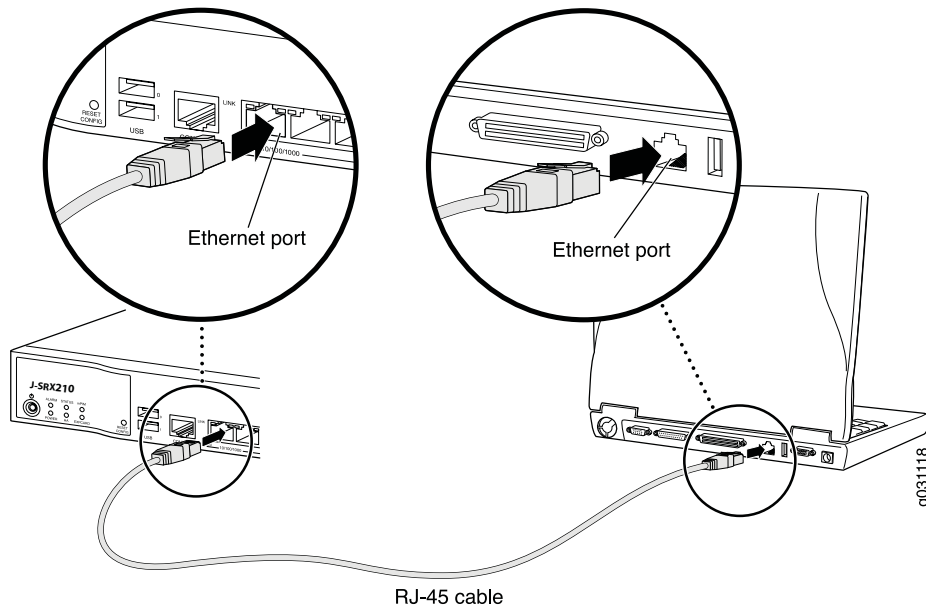
- Connect an RJ-45 cable (Ethernet cable) from one of the following ports on the front panel to the Ethernet port on the management device (workstation or laptop):
 - ge-0/0/1
 - fe-0/0/2 through fe-0/0/7

We recommend this connection method. If you are using this method to connect, proceed with Part 4.

- Connect an RJ-45 cable (Ethernet cable) from the port labeled CONSOLE to the supplied DB-9 adapter, which then connects to the serial port on the management device. (Serial port settings: **9600 8-N-1**.)

If you are using this method to connect, proceed with the CLI configuration instructions available in the *Branch SRX Series Services Gateways Golden Configurations* at <http://www.juniper.net/us/en/local/pdf/app-notes/3500153-en.pdf>.

See the illustration below for details on connecting a management interface.



Part 4: Understand the Default Configuration Settings

The J-SRX210 Services Gateway is a secure routing device that requires these basic configuration settings to function properly:

- Interfaces must be assigned IP addresses.
- Interfaces must be bound to zones.
- Policies must be configured between zones to permit/deny traffic.
- Source NAT rules must be set.

The device has the following default configuration set when you power it on for the first time. To be able to use the device, you do not need to perform any initial configuration.

FACTORY DEFAULT SETTINGS FOR IINTERFACES

Port Label	Interface	Security Zone	DHCP State	IP Address
0/0	ge-0/0/0	untrust	client	unassigned
0/1 and 0/2 to 0/7	ge-0/0/1 and fe-0/0/2 to fe-0/0/7	trust	server	192.168.1.1/24

FACTORY DEFAULT SETTINGS FOR SECURITY POLICIES

Source Zone	Destination Zone	Policy Action
trust	untrust	permit
trust	trust	permit
untrust	trust	deny

FACTORY DEFAULT SETTINGS FOR NAT RULE

Source Zone	Destination Zone	Policy Action
trust	untrust	source NAT to untrust zone interface

Part 5: Ensure That the Management Device Acquires an IP Address

After you connect the management device to the services gateway, the DHCP server process on the services gateway will assign an IP address automatically to the management device. Ensure that the management device acquires an IP address on the **192.168.1/24** subnetwork (other than **192.168.1.1**) from the device.

NOTE:

- The services gateway functions as a DHCP server and will assign an IP address to the management device.
- If an IP address is not assigned to the management device, manually configure an IP address in the **192.168.1.0/24** subnetwork. Do not assign the **192.168.1.1** IP address to the management device, as this IP address is assigned to the device. By default, the DHCP server is enabled on the L3 VLAN interface, (IRB) vlan.0 (ge-0/0/1 and fe-0/0/2 to fe-0/0/7), which is configured with an IP address of **192.168.1.1/24**.
- When a J-SRX210 Series Services Gateway is powered on for the first time, it boots using the factory default configuration.

Part 6: Ensure that an IP Address is Assigned to the Services Gateway

Use one of the following methods to obtain an IP address on the services gateway:

METHOD 1: OBTAINING A DYNAMIC IP ADDRESS ON YOUR SERVICES GATEWAY

Use the ge-0/0/0 port to connect to your Internet Service Provider (ISP). Your ISP will assign an IP address using the DHCP process.

If you are using this method to obtain an IP address on your services gateway, proceed with the steps from Part 7 to Part 10 in this document to configure your device and pass traffic.

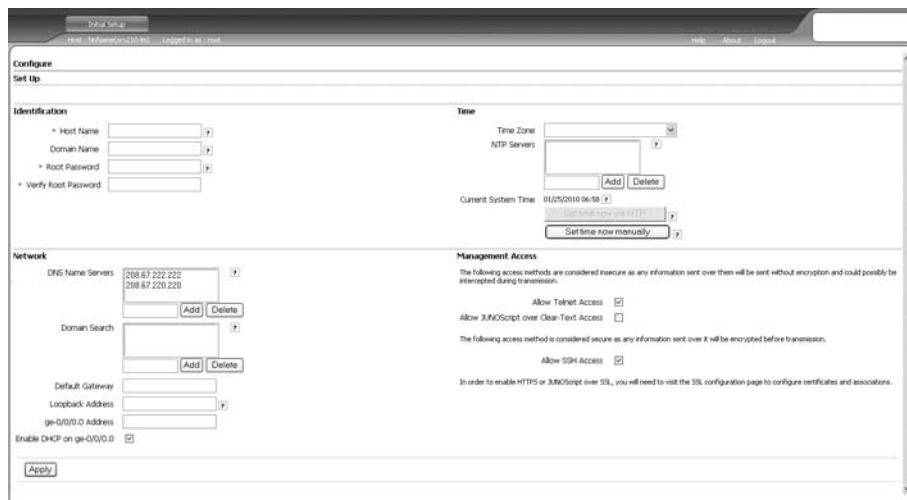
METHOD 2: OBTAINING A STATIC IP ADDRESS ON YOUR SERVICES GATEWAY

Use the ge-0/0/0 port to connect to your ISP. Your ISP will have provided a static IP address. You will not receive an IP address using the DHCP process.

If you are using this method to obtain an IP address on your services gateway, follow the instructions from Part 7 to Part 10 in this document.

Part 7: Access the J-Web Interface

1. Launch a Web browser on the management device.
2. Enter **http://192.168.1.1** in the URL address field. The J-Web login page is displayed.
3. Specify the default user name as **root**. Do not enter any value in the Password field.
4. Click **Log In**. The J-Web Initial Setup page is displayed.



Part 8: Configure the Basic Settings

Configure the basic settings, such as Host Name, Domain Name, and Root Password for your services gateway.

IMPORTANT: Ensure that you have configured the IP address and root password before you apply the configuration.

NOTE: All fields marked with an asterisk (*) are mandatory.

If you have used Method 2 in Part 6 to obtain an IP address on your services gateway, ensure that you make the following J-Web modifications:

1. Unselect the **Enable DHCP on ge-0/0/0.0** check box.

2. Enter the manual IP address provided by your ISP in the **ge-0/0/0.0** address field. The IP address must be entered in the *a.b.c.d/xx* format, where *xx* is the subnet mask.
3. Enter the IP address of the gateway in the Default Gateway field. The IP address for the gateway is also provided by the ISP.
4. Enter server names in the **DNS name servers** field. The server names will be provided by your ISP.
5. Apply the configuration.

Part 9: Apply the Basic Configuration

1. Click **Commit** to save the basic configuration.
2. Click **Apply** to apply the basic configuration.

NOTE: To make any changes to the interface configuration, see the *Branch SRX Series Services Gateways Golden Configurations* at <http://www.juniper.net/us/en/local/pdf/app-notes/3500153-en.pdf>.

Part 10: Verify the Configuration

Access <http://www.support.dell.com> to ensure that you are connected to the internet. This connectivity ensures that you can pass traffic through the services gateway.

NOTE: If the <http://www.support.dell.com> page does not load, verify your configuration settings, and ensure that you have applied the configuration.

After you have completed these steps, you can pass traffic from any trust port to the untrust port.

Connecting and Configuring the J-SRX210 Search Services Gateway with Integrated Convergence Services

If you have a J-SRX210H-P-MGW model, use the instructions below to configure voice support on the media gateway and get started using your device to place and receive calls.

The following table provides an overview of the steps you must follow to configure voice support on the media gateway.

Step	Task	Step	Task
1	Connect the FXO and FXS ports.	7	Configure the trunk.
2	Access the J-Web interface.	8	Configure trunk groups.
3	Configure the class of restriction.	9	Create the dial plan.
4	Configure the SIP station.	10	Configure the media gateway.
5	Configure the analog station.	11	Configure the survivable call server.
6	Configure the peer call server.		

Part 1: Connect the FXS and FXO Ports

1. Connect an FXS port (FXS1 or FXS2) on the device to an analog device such as a telephone, fax, or modem through an RJ-11 cable.
2. Connect an FXO port (FXO1 or FXO2) on the device to the central office (CO) switches or to a station port on a PSTN through an RJ-11 cable.
3. Connect an Ethernet cable from any of the PoE ports (ge-0/0/0, ge-0/0/1, fe-0/0/2, fe-0/0/3) to the VoIP phone.

Part 2: Access the J-Web Interface

1. Launch a Web browser from the management device.
2. Log on using the credentials you set during the initial configuration described in the “Connecting and Configuring the J-SRX210 Services Gateway” section.
3. The J-Web Dashboard page is displayed.

Part 3: Configure the Class of Restriction

Configure the class of restriction to define the policy dedicated to specifying call type permissions:

1. Select **Configure > Convergence Services > Station > Class of Restriction**. The Class of Restriction Configuration page is displayed.
2. Click **Add** to create a new class of restriction. The New Class of Restriction page is displayed.
3. Enter the name in the Class of Restriction field.
4. Click **Add** to add a new policy to the class of restriction you are creating. The New Policy Configuration page is displayed.
5. Perform the following actions:

Field	Action
Policy Name	Specify a name for the policy.
Available Call Types	Select the call types applicable to your setup.
Permissions	Set permissions (allow or deny) on the selected call types.

NOTE: By default, only intra-branch calls and emergency calls are allowed.

Part 4: Configure the SIP Station

NOTE: For initial configuration of the device, you do not need to configure the station templates. You can use the default values.

1. Select **Configure > Convergence Services > Station**. The Station Configuration page is displayed.

2. Click **Add** to add the new station and perform the following mandatory basic actions:

Field	Action
Name	Specify a name for the station.
Extensions	Enter the extension number of the station.
Class of Restriction	Select the already configured class of restriction.
Template Name	Select the already defined station template.

You can configure the analog templates to be similar so that they can share a common configuration.

Part 5: Configure the Analog Station

1. Select **Configure > Convergence Services > Station**. The Station Configuration page is displayed.
2. Click **Add** to add the new station and perform the following mandatory basic actions:

Field	Action
Name	Specify a name for the station.
Extensions	Enter the extension number of the station.
Class of Restriction	Select the already configured class of restriction.
Template Name	Select the already defined station template.
TDM Interface	Specify the type of TDM interface to be configured (FXO, FXS, or T1).

NOTE: You can configure the individual SIP stations similarly so that they can share a common configuration.

Part 6: Configure the Peer Call Server

Configure the peer call server that provides call routing and call handling services for the device:

1. Select **Configure > Convergence Services > Call Server**. The Peer Call Server Configuration page is displayed.
2. Perform the following mandatory basic actions:

Field	Action
Name	Specify the name for the peer call server.
PSTN Access Number	Specify the external PSTN number for the survivable call server to use if it must contact the PSTN directly.
Address Type	Select the address type as either fqdn or ipv4-address .
FQDN	Enter the fully qualified domain name.
IP Address	Enter the IP address of the peer call server.

NOTE: When configuring the peer call server:

- For the device to authenticate itself with the peer call server, you might need to provide the device user ID and password details as provided by the peer call server's administrator.
- You can accept the default values in the Port (5060) and Transport (UDP) fields.
- For initial configuration of the device, you do not need to specify the codec. The default set of codecs is used. By default, codecs are specified in the following order: 711-μ, G711-A, G729AB.

Part 7: Configure a Trunk

Configure a trunk for a PSTN time-division multiplexing (TDM) interface to be used by the device or the survivable call server to route calls to the destination.

1. Select **Configure > Convergence Services > Gateway > Trunks**. The New Trunk Configuration page is displayed.
2. Perform the following actions:

Field	Action
Trunk Name	Enter a name for the trunk.
Trunk Type	Select the trunk type (FXO, FXS, or T1).
TDM Interface	Select the type of TDM interface to be configured (FXO, FXS, or T1) for routing certain types of calls.

Part 8: Configure the Trunk Groups

A trunk group comprises multiple trunks specified in the order of precedence in which they must be selected to route a call.

1. Select **Configure > Convergence Services > Gateway > Trunk Groups**. The Trunk Group Configuration page is displayed.
2. Click **Add** to create a new trunk group and perform the following mandatory actions:

Field	Action
Name	Specify a name for the trunk group.
Available Trunks	Select the trunks applicable to your setup.

Part 9: Create the Dial Plan

Create the dial plan to enable the peer call server to route outbound calls placed from SIP telephones/analog stations at the branch to its PSTN:

1. Select **Configure > Convergence Services > Dial Plan** and click on **Dial Plan**. The Dial Plan Configuration page is displayed.

2. Click **Add** to create a new dial plan. The New Dial Plan Configuration page is displayed.
3. Enter a name in the Dial Plan Name field and click **Add**. The New Route Pattern Configuration page is displayed.
4. Perform the following mandatory basic actions:

Field	Action
Route Pattern	Specify the route pattern name.
Call Type	Select the call type. The default is trunk-call.
Trunk-groups	Select the preconfigured trunk groups to include in the route pattern.

NOTE: You can accept the default values for the Preference and Digit Manipulation fields.

Part 10: Configure the Media Gateway

Configure the media gateway to enable users to place calls within the branch and externally when the peer call server is accessible to provide call routing and other call handling services:

1. Select **Configure > Convergence Services > Media Gateway > Gateway**. The Media Gateway Configuration page is displayed.
2. Click **Add** and enter the following mandatory settings:

Field	Action
Media Gateway	Specify the device name.
Call Server	Select a peer call server with which to associate.
Dial Plan	Select a preconfigured dial plan.
Zone	Specify the service point for the device's zone to enable the media gateway and survivable call server services for the specified zone.

NOTE: You can accept the default values in the Port (5060) and Transport (UDP) fields.

Part 11: Configure the Survivable Call Server

This server assumes the responsibilities of the peer call server when the peer call server is unreachable:

1. Select **Configure > Convergence Services > Call Service**. The Survivable Call Service page is displayed.
2. Click **Add** to create a new call service and perform the following mandatory basic actions:

Field	Action
Call Service Name	Specify the name for the call service.
Call Server	Select the peer call server name.
Dial Plan	Select the preconfigured dial plan to be used for the survivable call server.
Zone	Specify the name for the zone.

NOTE: All other parameters required to configure the call service are optional and you can accept the default values set for these parameters.

Powering Off the Device

You can power off the device in one of the following ways:

- Graceful shutdown—Press and immediately release the Power button. The device begins gracefully shutting down the operating system.
- Immediate shutdown—Press the Power button and hold it for 10 seconds. The device immediately shuts down. Press the Power button again to power on the device.

NOTE: You can reboot or halt the system in the J-Web interface by selecting **Maintain > Reboot**.

For additional configuration information, see the *Branch SRX Series Services Gateways Golden Configurations* at <http://www.juniper.net/us/en/local/pdf/app-notes/3500153-en.pdf>.

For detailed software configuration information, see the software documentation available at <http://www.juniper.net/techpubs/software/junos-srx/index.html>.

Contacting Dell

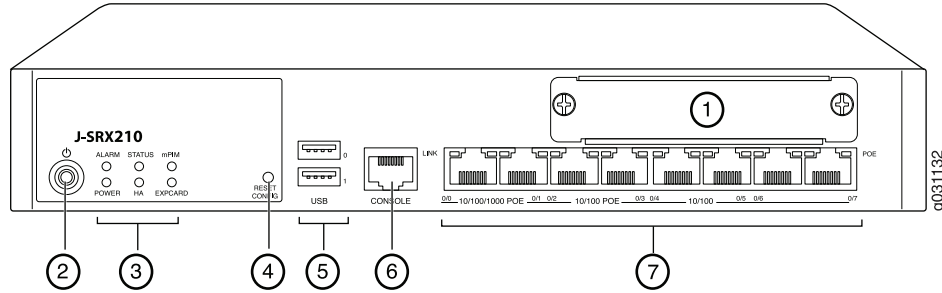
For technical support, see <http://www.support.dell.com>.



Dell PowerConnect J-Series J-SRX210 服務閘道快速入門

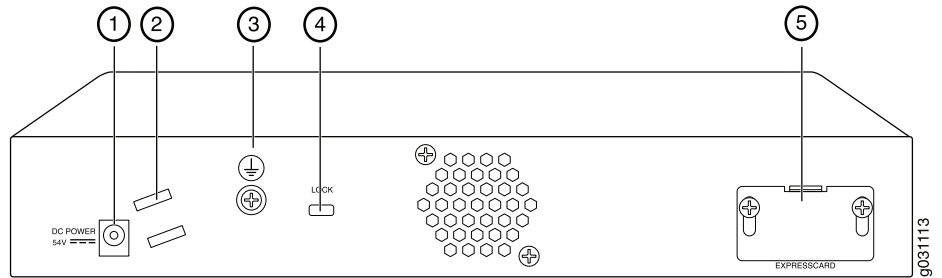
使用此快速入門中的說明，協助您將 Dell PowerConnect J-Series J-SRX210 服務閘道連線至網路。如需詳細資訊，請參閱 *J-SRX210 Services Gateway Hardware Guide*，網址為 <http://www.support.dell.com/manuals>。(管理型號為 SRX210)

J-SRX210 服務閘道 (J-SRX210B、J-SRX210H、J-SRX210H-POE) 前面板



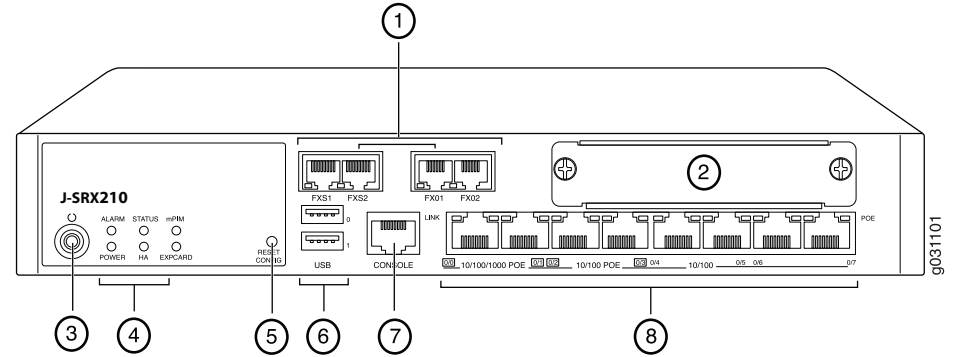
編號	說明	編號	說明
1	Mini-PIM 插槽	5	USB 連接埠
2	Power 按鈕	6	主控台連接埠
3	LED (ALARM、POWER、STATUS、HA、mPIM、EXPCARD)	7	十億位元乙太網路 (0/0 與 0/1) 及高速乙太網路 (0/2 到 0/7) 連接埠
4	Reset Config 按鈕		

J-SRX210 服務閘道 (J-SRX210B、J-SRX210H、J-SRX210H-POE) 後面板



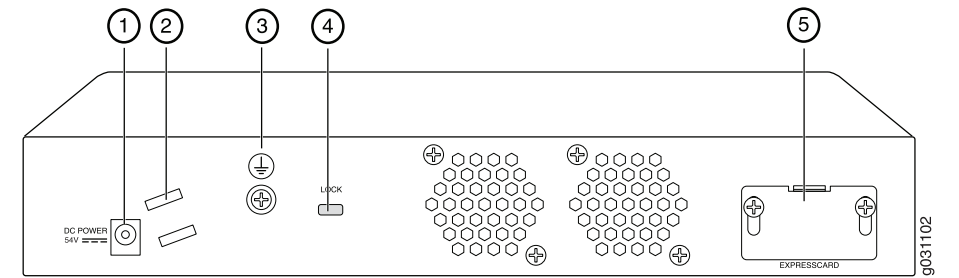
編號	說明	編號	說明
1	電源供應輸入	4	鎖定安全纜線
2	纜線束固定器	5	ExpressCard 插槽
3	接地點		

含整合收斂服務之 J-SRX210 服務閘道 (J-SRX210H-P-MGW) 前面板



編號	說明	編號	說明
1	FXS 與 FXO 語音連接埠	5	Reset Config 按鈕
2	Mini-PIM 插槽	6	USB 連接埠
3	Power 按鈕	7	主控台連接埠
4	LED (ALARM、POWER、STATUS、HA、mPIM、EXPCARD)	8	十億位元乙太網路 (0/0 與 0/1) 及高速乙太網路 (0/2 到 0/7) 連接埠

含整合收斂服務之 J-SRX210 服務閘道 (J-SRX210H-P-MGW) 後面板



編號	說明	編號	說明
1	電源供應輸入	4	鎖定安全纜線
2	纜線束固定器	5	ExpressCard 插槽
3	接地點		



530-036269 REV 01

J-SRX210 服務閘道機型

提供以下四種 J-SRX210 服務閘道機型：

裝置	DDR 記憶體	乙太網路供電	語音支援
J-SRX210B	512 MB	否	否
J-SRX210H	1 GB	否	否
J-SRX210H-POE	1 GB	是	否
J-SRX210H-P-MGW	1 GB	是	是

請注意：在 J-SRX210H-PoE 與 J-SRX210H-P-MGW 機型上，全部 4 個連接埠 (ge-0/0/0、ge-0/0/1、fe-0/0/2 及 fe-0/0/3) 皆支援 50 瓦的乙太網路供電 (PoE)。

連接與組態 J-SRX210 服務閘道

使用下列說明來連接及設定任何機型的 J-SRX210 服務閘道，以保護您的網路。請參考裝置前面板上的 LED，以協助您確定裝置的狀態。

第 1 部分：將服務閘道連接至地面

1. 取得一條接地纜線 (14 AWG 單股, 4 A)，並由授權的電工將纜線與圓形乙烯基絕緣 TV14-6R 接線片或同型接線片連接。
2. 將接地纜線連接到正確的接地點。
3. 將接地纜線接線片置於機箱背面上方的接地點，然後使用一個 6-32 UNC 螺絲來固定接線片。

第 2 部分：將電源纜線連接至裝置

將電源纜線連接至裝置與電源。我們建議您使用突波保護器。請注意下列指示：

- POWER LED (綠色)：裝置已通電。
- STATUS LED (綠色)：裝置運作正常。
- ALARM LED (琥珀黃色)：裝置運作正常，此外若未設定救援組態，則可能會亮起琥珀黃色燈。這並不屬於緊急情況。
- mPIM LED (熄滅)：Mini-Physical Interface Module (Mini-PIM) 不存在，或裝置未偵測到。如果此 LED 為綠色且恆亮，表示 Mini-PIM 功能正常。

請注意：設定完救援組態後，琥珀黃色 ALARM LED 表示輕微警示，而紅色 ALARM LED 表示服務閘道存在嚴重問題。

請注意：在開啓裝置電源後，必須讓裝置有 5 到 7 分鐘的啟動時間。請靜待 STATUS LED 穩定亮起綠燈，然後再繼續下一個部分。

第 3 部分：連接管理裝置

使用以下其中一種方法將管理裝置連接至服務閘道：

- 用 RJ-45 纜線 (乙太網路纜線) 將前面板上的以下任何一個連接埠與管理裝置 (工作站或筆記型電腦) 上的乙太網路連接埠連在一起：
 - ge-0/0/1
 - fe-0/0/2 到 fe-0/0/7

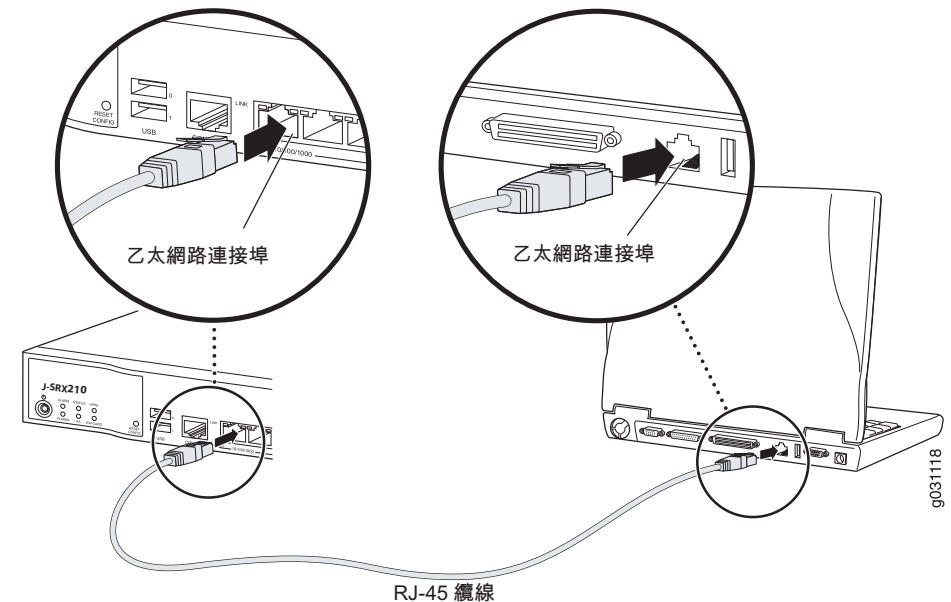
我們建議您使用這種連接方法。如果使用此方法進行連接，請繼續第 4 部分。

- 用 RJ-45 纜線 (乙太網路纜線) 將標有 CONSOLE 的連接埠與隨附的 DB-9 配接卡相連，然後將其連接至管理裝置上的序列連接埠。(序列連接埠設定：**9600 8-N-1**。)

如果您使用此方法進行連接，請參閱 *Branch SRX Series Services Gateways Golden Configurations* (網址為

<http://www.juniper.net/us/en/local/pdf/app-notes/3500153-en.pdf>) 中的 CLI 組態說明繼續操作。

如需連接管理介面的詳細資訊，請參閱下圖。



第 4 部分：瞭解預設組態設定

J-SRX210 服務閘道是一個安全路由裝置，其需要這些基本組態設定才能正常運作：

- 必須為介面指派 IP 位址。
- 必須將介面連接至區域。
- 必須在區域間組態政策，以允許 / 拒絕通訊流量。
- 必須設定來源 NAT 規則。

第一次開啓裝置電源時，會設定下列預設組態。您不必執行任何初始組態便可使用裝置。

介面的出廠預設設定

連接埠標籤	介面	安全區	DHCP 狀態	IP 位址
0/0	ge-0/0/0	untrust	用戶端	未指派
0/1 及 0/2 到 0/7	ge-0/0/1 及 fe-0/0/2 到 fe-0/0/7	trust	伺服器	192.168.1.1/24

安全性政策的出廠預設設定

來源區	目的區	政策動作
trust	untrust	允許
trust	trust	允許
untrust	trust	拒絕

NAT 規則的出廠預設設定

來源區	目的區	政策動作
trust	untrust	來源 NAT 到 untrust 區域介面

第 5 部分：確保管理裝置取得 IP 位址

在將管理裝置連接至服務閘道後，服務閘道上的 DHCP 伺服器程序會將 IP 位址自動指派給管理裝置。確保管理裝置從裝置取得 **192.168.1/24** 子網路 (而不是 **192.168.1.1**) 上的 IP 位址。

請注意：

- 服務閘道的功能類似於 DHCP 伺服器，而且會為管理裝置指派 IP 位址。
- 如果未將 IP 位址指派給管理裝置，請手動組態 **192.168.1.0/24** 子網路中的一個 IP 位址。請勿將 **192.168.1.1** IP 位址指派給管理裝置，因為此 IP 位址已指派給裝置。依預設，DHCP 伺服器在 L3 VLAN 介面，即 (IRB) vlan.0 (ge-0/0/1 與 fe-0/0/2 到 fe-0/0/7) 啟用，透過 IP 位址 **192.168.1.1/24** 對其進行組態。
- 第一次開啓 J-SRX210 Series 服務閘道電源時，其會使用出廠預設組態啓動。

第 6 部分：確認已將 IP 位址指派給服務閘道

使用以下其中一種方法取得服務閘道的 IP 位址：

方法 1：取得服務閘道的動態 IP 位址

使用 ge-0/0/0 連接埠連線至「網際網路服務供應商」(ISP)。ISP 會使用 DHCP 程序指派一個 IP 位址。

如果您使用此方法取得服務閘道的 IP 位址，請繼續執行本文件中第 7 到第 10 部分的步驟，以設定您的裝置及傳送通訊流量。

方法 2：取得服務閘道的靜態 IP 位址

使用 ge-0/0/0 連接埠連線至 ISP。ISP 將提供一個靜態 IP 位址。將不會接收到使用 DHCP 程序指派的 IP 位址。

如果您使用此方法取得服務閘道的 IP 位址，請遵循本文件中第 7 到第 10 部分的指示。

第 7 部分：存取 J-Web 介面

1. 在管理裝置上啓動 Web 瀏覽器。
2. 在 URL 位址欄位中輸入 **http://192.168.1.1**。接著會顯示 J-Web 登入頁面。
3. 將預設使用者名稱指定為 **root**。請勿在 Password 欄位中輸入任何值。
4. 按一下 **Log In**。會顯示 J-Web Initial Setup 頁面。

第 8 部分：進行基本設定

為服務閘道組態基本設定，例如 Host Name、Domain Name 與 Root Password。

重要：確認您在套用組態之前，已設定 IP 位址與根密碼。

請注意：標記星號 (*) 的所有欄位皆為必填欄位。

如果您已使用第 6 部分的方法 2 取得服務閘道的 IP 位址，請務必修改下列的 J-Web 內容：

1. 取消選擇 **Enable DHCP on ge-0/0/0.0** 核取方塊。
2. 在 **ge-0/0/0.0** 位址欄位中輸入 ISP 提供給您的手動 IP 位址。必須以 *a.b.c.d/xx* 的格式輸入此 IP 位址，其中 *xx* 是子網路遮罩。
3. 在 **Default Gateway** 欄位中輸入閘道的 IP 位址。閘道的 IP 位址也由 ISP 提供。
4. 在 **DNS name servers** 欄位中輸入伺服器名稱。伺服器名稱由您的 ISP 提供。
5. 套用組態。

第 9 部分：套用基本組態

1. 按一下 **Commit** 來儲存基本組態。
2. 按一下 **Apply** 來套用基本組態。

請注意：若要對介面組態進行任何變更，請參閱 *Branch SRX Series Services Gateways Golden Configurations*，網址為 <http://www.juniper.net/us/en/local/pdf/app-notes/3500153-en.pdf>。

第 10 部分：驗證組態

存取 <http://www.support.dell.com>，以確保您已連線至網際網路。此連線可確保您可以透過服務閘道傳送通訊流量。

請注意：如果 <http://www.support.dell.com> 頁面未載入，請驗證組態設定，並確保您已套用該組態。

完成這些步驟後，您可以將通訊流量從任何 **trust** 連接埠傳送至 **untrust** 連接埠。

連接與組態含整合收斂服務的 J-SRX210 服務閘道

如果您擁有 J-SRX210H-P-MGW 機型，請使用下列指示組態媒體閘道的語音支援，並開始使用您的裝置來撥打與接聽電話。

下表概述了在組態媒體閘道的語音支援時，您必須遵循的步驟。

步驟	工作	步驟	工作
1	連接 FXO 與 FXS 連接埠。	7	組態中繼。
2	存取 J-Web 介面。	8	組態中繼群組。
3	組態限制類別。	9	建立撥號對應表。
4	組態 SIP 工作站。	10	組態媒體閘道。
5	組態類比工作站。	11	組態可長期有效的呼叫伺服器。
6	組態對等呼叫伺服器。		

第 1 部分：連接 FXS 與 FXO 連接埠

1. 透過 RJ-11 纜線將裝置上的 FXS 連接埠 (FXS1 或 FXS2) 連接至類比裝置，例如電話、傳真或數據機。
2. 透過 RJ-11 纜線將裝置上的 FXO 連接埠 (FXO1 或 FXO2) 連接至總公司 (CO) 交換機，或 PSTN 上的工作站連接埠。
3. 透過乙太網路纜線將任一 PoE 連接埠 (ge-0/0/0、ge-0/0/1、fe-0/0/2、fe-0/0/3) 連接至 VoIP 電話。

第 2 部分：存取 J-Web 介面

1. 從管理裝置啟動 Web 瀏覽器。
2. 使用您在初始組態期間設定的驗證資料來登入，如「連接與組態 J-SRX210 服務閘道」一節中所述。
3. 會顯示 J-Web Dashboard 頁面。

第 3 部分：組態限制類別

組態限制類別，以定義專用於指定呼叫類型權限的政策：

1. 選擇 **Configure > Convergence Services > Station > Class of Restriction**。會顯示 **Class of Restriction Configuration** 頁面。
2. 按一下 **Add**，建立新的限制類別。會顯示 **New Class of Restriction** 頁面。
3. 在 **Class of Restriction** 欄位中，輸入名稱。
4. 按一下 **Add**，將新政策新增至您要建立的限制類別中。會顯示 **New Policy Configuration** 頁面。
5. 執行下列動作：

欄位	動作
Policy Name	為政策指定名稱。
Available Call Types	選擇適用於您的設定的呼叫類型。
Permissions	設定所選呼叫類型的權限 (允許或拒絕)。

請注意：依預設，僅允許分公司內部的呼叫與緊急呼叫。

第 4 部分：組態 SIP 工作站

請注意：針對裝置的初始組態，您不必組態工作站範本。您可以使用預設值。

1. 選擇 **Configure > Convergence Services > Station**。會顯示 **Station Configuration** 頁面。
2. 按一下 **Add**，新增工作站並執行下列必需的基本動作：

欄位	動作
Name	為工作站指定名稱。
Extensions	輸入工作站的分機號碼。
Class of Restriction	選擇已組態的限制類別。
Template Name	選擇已定義的工作站範本。

您可以將類比範本組態為類似範本，以使其能夠共享通用的組態。

第 5 部分：組態類比工作站

1. 選擇 **Configure > Convergence Services > Station**。會顯示 **Station Configuration** 頁面。
2. 按一下 **Add**，新增工作站並執行下列必需的基本動作：

欄位	動作
Name	為工作站指定名稱。
Extensions	輸入工作站的分機號碼。
Class of Restriction	選擇已組態的限制類別。

欄位	動作
Template Name	選擇已定義的工作站範本。
TDM Interface	指定要組態的 TDM 介面類型 (FXO、FXS 或 T1)。

請注意：您可以使用類似方式組態個別 SIP 工作站，以使其能夠共享通用的組態。

第 6 部分：組態對等呼叫伺服器

組態為裝置提供呼叫路由與呼叫處理服務的對等呼叫伺服器：

1. 選擇 **Configure > Convergence Services > Call Server**。會顯示 Peer Call Server Configuration 頁面。
2. 執行下列必需的基本動作：

欄位	動作
Name	為對等呼叫伺服器指定名稱。
PSTN Access Number	為要使用的長期有效的呼叫伺服器指定外部 PSTN 號碼 (若其必須直接聯絡 PSTN)。
Address Type	選擇位址類型作為 fqdn 或 ipv4-address。
FQDN	輸入完全合格的網域名稱。
IP Address	輸入對等呼叫伺服器的 IP 位址。

請注意：組態對等呼叫伺服器時：

- 針對要使用對等呼叫伺服器來驗證其自身的裝置，您可能需要提供對等呼叫伺服器的管理員所提供的裝置使用者 ID 與密碼詳細資訊。
- 您可以接受 Port (5060) 與 Transport (UDP) 欄位中的預設值。
- 針對裝置的初始組態，您不必指定轉碼器。會使用預設的轉碼器集合。依預設，會透過下列順序來指定轉碼器：711-μ、G711-A、G729AB。

第 7 部分：組態中繼

為裝置或長期有效的呼叫伺服器要使用的 PSTN 分時多工法 (TDM) 介面組態中繼，以將呼叫路由至目的地。

1. 選擇 **Configure > Convergence Services > Gateway > Trunks**。會顯示 New Trunk Configuration 頁面。
2. 執行下列動作：

欄位	動作
Trunk Name	輸入中繼名稱。
Trunk Type	選擇中繼類型 (FXO、FXS 或 T1)。
TDM Interface	選擇要組態的 TDM 介面類型 (FXO、FXS 或 T1)，以路由由特定類型的呼叫。

第 8 部分：組態中繼群組

中繼群組由多個中繼組成，這些中繼將依照其在路由呼叫時必須遵循的優先順序來指定。

1. 選擇 **Configure > Convergence Services > Gateway > Trunk Groups**。會顯示 Trunk Group Configuration 頁面。
2. 按一下 **Add**，建立新的中繼群組並執行下列必需動作：

欄位	動作
Name	為中繼群組指定名稱。
Available Trunks	選擇適用於設定的中繼。

第 9 部分：建立撥號對應表

建立撥號對應表，使對等呼叫伺服器將分公司的 SIP 電話 / 類比工作站撥打的外線電話路由至其 PSTN：

1. 選擇 **Configure > Convergence Services > Dial Plan**，然後按一下 **Dial Plan**。會顯示 Dial Plan Configuration 頁面。
2. 按一下 **Add**，建立新的撥號對應表。會顯示 New Dial Plan Configuration 頁面。
3. 在 Dial Plan Name 欄位中輸入名稱，然後按一下 **Add**。會顯示 New Route Pattern Configuration 頁面。
4. 執行下列必需的基本動作：

欄位	動作
Route Pattern	指定路由模式名稱。
Call Type	選擇呼叫類型。預設為中繼呼叫。
Trunk-groups	選擇要包括在路由模式中的預先組態的中繼群組。

請注意：您可以接受 Preference 與 Digit Manipulation 欄位的預設值。

第 10 部分：組態媒體開道

在可以存取對等呼叫伺服器來提供呼叫路由及其他呼叫處理服務的情況下，組態媒體開道，讓使用者可以在分公司內部或外部撥打電話：

1. 選擇 **Configure > Convergence Services > Media Gateway > Gateway**。會顯示 Media Gateway Configuration 頁面。
2. 按一下 **Add**，然後輸入下列必需設定：

欄位	動作
Media Gateway	指定裝置名稱。
Call Server	選擇要關聯的對等呼叫伺服器。
Dial Plan	選擇預先組態的撥號對應表。
Zone	為裝置的區域指定服務點，以啟用指定區域的媒體開道與長期有效的呼叫伺服器服務。

請注意：您可以接受 Port (5060) 與 Transport (UDP) 欄位中的預設值。

第 11 部分：組態長期有效的呼叫伺服器

無法連線對等呼叫伺服器時，此伺服器會接手對等呼叫伺服器的工作：

1. 選擇 **Configure > Convergence Services > Call Service**。會顯示 Survivable Call Service 頁面。
2. 按一下 **Add**，建立新的呼叫服務並執行下列必需的基本動作：

欄位	動作
Call Service Name	為呼叫服務指定名稱。
Call Server	選擇對等呼叫伺服器的名稱。
Dial Plan	選擇要用於長期有效的呼叫伺服器之預先組態的撥號對應表。
Zone	為區域指定名稱。

請注意：組態呼叫服務所需的其他所有參數都是可選參數，您可以接受為這些參數設定的預設值。

關閉裝置電源

您可以使用下列方式之一來關閉裝置電源：

- 平穩關閉 - 按下並立即鬆開 **Power**。裝置會開始平穩關閉作業系統。
 - 立即關閉 - 按住 **Power** 10 秒鐘。裝置會立即關閉。再次按下 **Power** 可開啓裝置電源。
- 請注意：**透過選擇 **Maintain > Reboot**，您可以在 J-Web 介面中重新啓動或暫停系統。

如需其他組態資訊，請參閱 *Branch SRX Series Services Gateways Golden Configurations*，網址為 <http://www.juniper.net/us/en/local/pdf/app-notes/3500153-en.pdf>。

如需詳細的軟體組態資訊，請參閱軟體文件，網址 <http://www.juniper.net/techpubs/software/junos-srx/index.html>。

聯絡 Dell

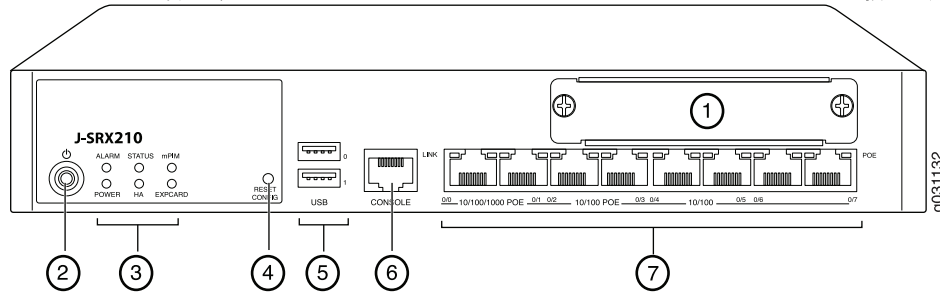
如需技術支援，請參閱 <http://www.support.dell.com>。



Dell PowerConnect J 系列 J-SRX210 服务网关快速入门

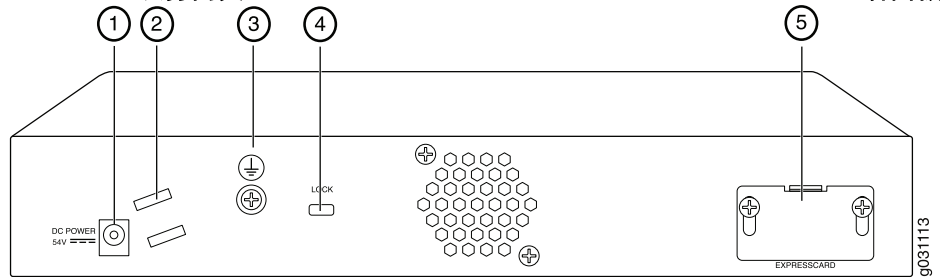
按照本快速入门中的说明进行操作，即可帮助您将 Dell PowerConnect J 系列 J-SRX210 服务网关连接到网络。有关详细信息，请参阅 *J-SRX210 Services Gateway Hardware Guide*，网址：<http://www.support.dell.com/manuals>。（规范型号 SRX210）

J-SRX210 服务网关 (J-SRX210B、J-SRX210H、J-SRX210H-POE) 前面板



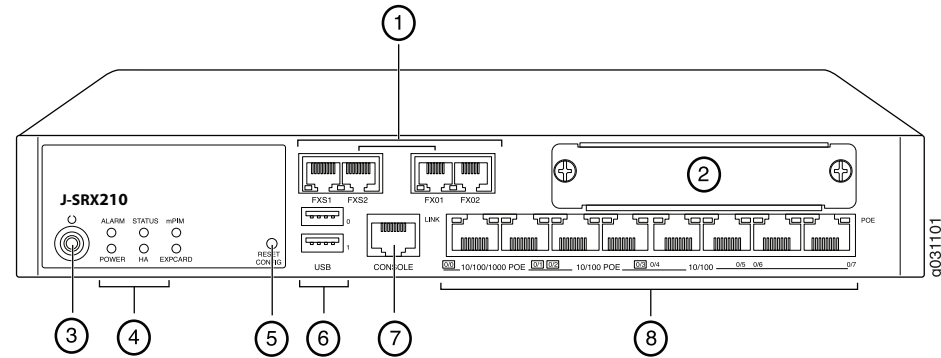
编号	说明	编号	说明
1	小型 PIM 插槽	5	USB 端口
2	Power 按钮	6	控制台端口
3	LED (ALARM、POWER、STATUS、HA、mPIM 和 EXPCARD)	7	千兆位以太网 (0/0 和 0/1) 和快速以太网 (0/2 至 0/7) 端口
4	Reset Config 按钮		

J-SRX210 服务网关 (J-SRX210B、J-SRX210H、J-SRX210H-POE) 后面板



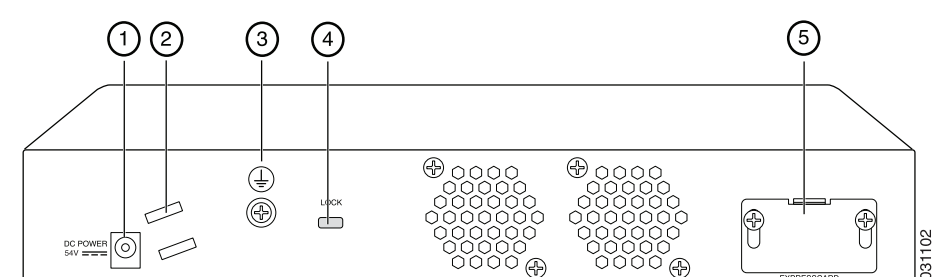
编号	说明	编号	说明
1	电源输入	4	安全电缆锁
2	电缆固定夹	5	ExpressCard 插槽
3	接地点		

集成融合服务的 J-SRX210 服务网关 (J-SRX210H-P-MGW) 前面板



编号	说明	编号	说明
1	FXS 和 FXO 语音端口	5	Reset Config 按钮
2	小型 PIM 插槽	6	USB 端口
3	Power 按钮	7	控制台端口
4	LED (ALARM、POWER、STATUS、HA、mPIM 和 EXPCARD)	8	千兆位以太网 (0/0 和 0/1) 和快速以太网 (0/2 至 0/7) 端口

集成融合服务的 J-SRX210 服务网关 (J-SRX210H-P-MGW) 后面板



编号	说明	编号	说明
1	电源输入	4	安全电缆锁
2	电缆固定夹	5	ExpressCard 插槽
3	接地点		



530-036269 REV 01

J-SRX210 服务网关型号

提供以下四种型号的 J-SRX210 服务网关：

设备	DDR 内存	以太网供电	语音支持
J-SRX210B	512 MB	否	否
J-SRX210H	1 GB	否	否
J-SRX210H-POE	1 GB	是	否
J-SRX210H-P-MGW	1 GB	是	是

注意：对于 J-SRX210H-PoE 和 J-SRX210H-P-MGW 型号，全部 4 个端口（ge-0/0/0、ge-0/0/1、fe-0/0/2 和 fe-0/0/3）均支持 50 瓦的以太网供电 (PoE)。

连接和配置 J-SRX210 服务网关

按照下面的说明连接和设置任何型号的 J-SRX210 服务网关以保护网络。参照设备前面板上的 LED 来帮助您确定设备的状态。

第 1 部分：将服务网关接地

1. 获取接地电缆—14 AWG 单线，4 A 一带环状、乙烯绝缘 TV14-6R 接线片或同等电缆，由授权电工接线。
2. 将接地电缆适当接地。
3. 将接地电缆接线片置于机箱背面上方的接地点，然后使用一个 6-32 UNC 螺钉来固定接线片。

第 2 部分：将电源线连接到设备

将电源线连接到设备和电源。我们建议使用电涌保护器。请注意以下指示：

- POWER LED（绿色）：设备通电。
- STATUS LED（绿色）：设备正常工作。
- ALARM LED（琥珀黄色）：设备正常工作，但可能由于未设置救援配置而发出琥珀黄色光。这并不是紧急情况。
- mPIM LED（关闭）：小型物理接口模块 (Mini-PIM) 不存在或没有被设备检测到。如果该 LED 为绿色常亮，则表示 Mini-PIM 工作正常。

注意：设置完救援配置后，琥珀黄色的 ALARM LED 表示不严重的警告，而红色常亮的 ALARM LED 表示服务网关存在严重问题。

注意：接通电源后，必须等待 5 至 7 分钟的设备启动时间。请等待至 STATUS LED 变为绿色常亮，再执行下一部分。

第 3 部分：连接管理设备

使用以下任一方法将管理设备连接到服务网关：

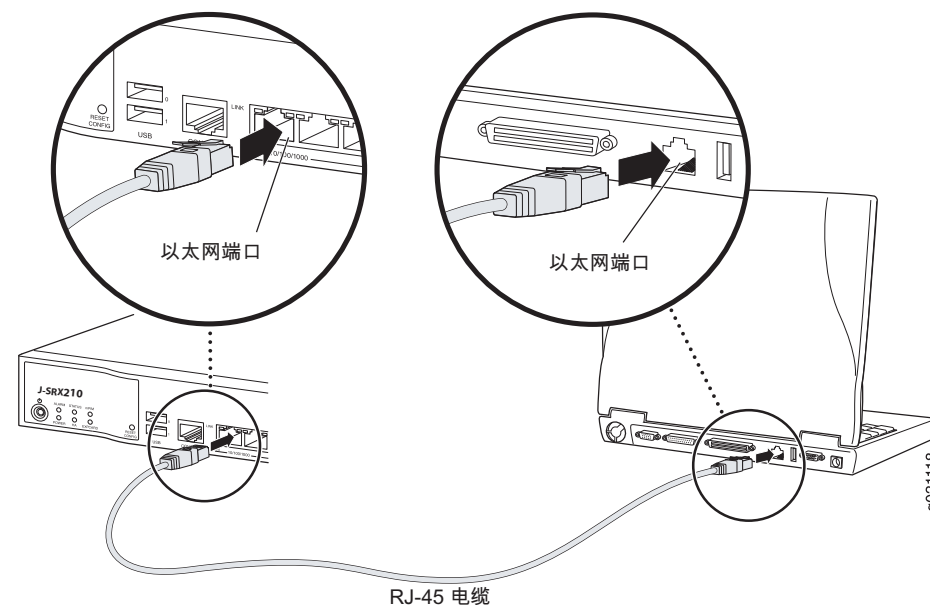
- 将 RJ-45 电缆（以太网电缆）从前面板上的以下任一端口连接到管理设备（工作站或便携式计算机）上的以太网端口：
 - ge-0/0/1
 - fe-0/0/2 至 fe-0/0/7

我们建议采用这种连接方法。如果您使用此方法进行连接，请继续第 4 部分。

- 将 RJ-45 电缆（以太网电缆）从标有 CONSOLE 的端口连接到提供的 DB-9 适配器，然后将其连接到管理设备上的串行端口。（串行端口设置：**9600 8-N-1**。）

如果使用此方法进行连接，请继续执行 *Branch SRX Series Services Gateways Golden Configurations* 中提供的 CLI 配置说明，该文档的网址为 <http://www.juniper.net/us/en/local/pdf/app-notes/3500153-en.pdf>。

有关连接管理接口的详细信息，请参阅下图。



第 4 部分：了解缺省配置设置

J-SRX210 服务网关是需要进行以下基本配置设置才能正常运行的安全路由设备：

- 必须为接口分配 IP 地址。
- 必须将接口绑定到区段。
- 必须配置区段间的策略以允许 / 拒绝信息流。
- 必须设置源 NAT 规则。

首次接通电源时，设备已设置以下缺省配置。无需进行任何初始配置即可使用设备。

接口的出厂缺省设置

端口标签	接口	安全区段	DHCP 状态	IP 地址
0/0	ge-0/0/0	untrust	客户端	未指派
0/1 和 0/2 至 0/7	ge-0/0/1 和 fe-0/0/2 至 fe-0/0/7	trust	服务器	192.168.1.1/24

安全策略的出厂缺省设置

源区段	目的区段	策略动作
trust	untrust	允许
trust	trust	允许
untrust	trust	拒绝

NAT 规则的出厂缺省设置

源区段	目的区段	策略动作
trust	untrust	源 NAT 到 untrust 区段接口

第 5 部分：确保管理设备获得 IP 地址

将管理设备连接到服务网关后，服务网关上的 DHCP 服务器进程会自动为管理设备分配一个 IP 地址。确保管理设备能从该设备获得 **192.168.1/24** 子网（而不是 **192.168.1.1**）上的 IP 地址。

注意：

- 服务网关起着 DHCP 服务器的作用，将会给管理设备分配 IP 地址。
- 如果未给管理设备分配 IP 地址，请手动配置 **192.168.1.0/24** 子网中的 IP 地址。不要给管理设备分配 **192.168.1.1** IP 地址，因为此 IP 地址已分配给该设备。缺省情况下，DHCP 服务器在 L3 VLAN 接口 (IRB) vlan.0（ge-0/0/1 和 fe-0/0/2 至 fe-0/0/7）上处于启用状态，该接口的 IP 地址配置为 **192.168.1.1/24**。
- 首次接通 J-SRX210 系列服务网关的电源时，其会使用出厂缺省配置启动。

第 6 部分：确保已将 IP 地址分配给服务网关

使用以下方法之一在服务网关上获得 IP 地址：

方法 1：在服务网关上获取动态 IP 地址

使用 ge-0/0/0 端口连接到互联网服务提供商 (ISP)。ISP 将使用 DHCP 进程分配一个 IP 地址。

如果您使用此方法获得服务网关的 IP 地址，请继续本文档第 7 部分至第 10 部分中的步骤来配置设备和传送信息流。

方法 2：在服务网关上获得静态 IP 地址

使用 ge-0/0/0 端口连接到 ISP。ISP 将提供一个静态 IP 地址。使用 DHCP 进程不会收到 IP 地址。

如果您使用此方法获得服务网关的 IP 地址，请按照本文档第 7 部分至第 10 部分中的说明进行操作。

第 7 部分：访问 J-Web 界面

1. 在管理设备上启动 Web 浏览器。
2. 在 URL 地址字段中输入 **http://192.168.1.1**。将显示 J-Web 登录页面。
3. 指定缺省用户名为 **root**。不要在 Password 字段中输入任何值。
4. 单击 **Log In**。将显示 J-Web Initial Setup 页面。

第 8 部分：配置基本设置

配置服务网关的基本设置，如 Host Name, Domain Name 和 Root Password。

重要： 确保在应用配置之前已配置了 IP 地址和根密码。

注意： 所有标有星号 (*) 的字段均为必填字段。

如果您已使用第 6 部分中的方法 2 获取服务网关的 IP 地址，请确保进行以下 J-Web 修改：

1. 取消选中 **Enable DHCP on ge-0/0/0.0** 复选框。
2. 在 **ge-0/0/0.0** 地址字段中输入 ISP 提供的手动 IP 地址。必须以 *a.b.c.d/xx* 的格式输入 IP 地址，其中 *xx* 为子网掩码。
3. 在 **Default Gateway** 字段中输入网关的 IP 地址。网关的 IP 地址同样由 ISP 提供。
4. 在 **DNS name servers** 字段中输入服务器名称。服务器名称将由 ISP 提供。
5. 应用配置。

第9部分：应用基本配置

1. 单击 **Commit** 保存基本配置。
2. 单击 **Apply** 应用基本配置。

注意：要对接口配置进行任何更改，请参阅 *Branch SRX Series Services Gateways Golden Configurations*，网址为 <http://www.juniper.net/us/en/local/pdf/app-notes/3500153-en.pdf>。

第10部分：验证配置

访问 <http://www.support.dell.com> 以确保您已连接到 Internet。该连通性确保您可通过服务网关传送信息流。

注意：如果 <http://www.support.dell.com> 页面未加载，请检查配置设置并确保已应用配置。

完成这些步骤后，可以将信息流从任何 trust 端口传送到 untrust 端口。

对集成融合服务的 J-SRX210 服务网关进行连接和配置

如果您拥有 J-SRX210H-P-MGW 型号，请使用下面的说明在媒体网关上配置语音支持并开始使用设备发出和接收呼叫。

下表概述了在媒体网关上配置语音支持所必须遵守的步骤。

步骤	任务	步骤	任务
1	连接 FXO 和 FXS 端口。	7	配置中继。
2	访问 J-Web 界面。	8	配置中继组。
3	配置限制分类。	9	创建拨号计划。
4	配置 SIP 站。	10	配置媒体网关。
5	配置模拟站。	11	配置可存活呼叫服务器。
6	配置对等方呼叫服务器。		

第1部分：连接 FXS 和 FXO 端口

1. 通过 RJ-11 电缆将设备上的 FXS 端口 (FXS1 或 FXS2) 连接到模拟设备，例如电话、传真或调制解调器。
2. 通过 RJ-11 电缆将设备上的 FXO 端口 (FXO1 或 FXO2) 连接到总部 (CO) 交换机或 PSTN 上的站端口。
3. 将以太网电缆从任一 PoE 端口 (ge-0/0/0、ge-0/0/1、fe-0/0/2 和 fe-0/0/3) 连接到 VoIP 电话。

第2部分：访问 J-Web 界面

1. 从管理设备启动 Web 浏览器。
2. 使用在初始配置 (在“连接和配置 J-SRX210 服务网关”部分中介绍) 期间设置的凭证登录。
3. 会显示 J-Web Dashboard 页面。

第3部分：配置限制分类

配置限制分类以定义专用于指定呼叫类型权限的策略：

1. 选择 **Configure > Convergence Services > Station > Class of Restriction**。将显示 Class of Restriction Configuration 页面。
2. 单击 **Add** 创建新限制分类。将显示 New Class of Restriction 页面。
3. 在 Class of Restriction 字段中输入名称。
4. 单击 **Add** 将新策略添加到要创建的限制分类。将显示 New Policy Configuration 页面。
5. 执行下列操作：

字段	操作
Policy Name	指定策略的名称。
Available Call Types	选择适用于设置的呼叫类型。
Permissions	设置所选呼叫类型的权限 (允许或拒绝)。

注意：缺省情况下，只允许分公司内部呼叫和紧急呼叫。

第4部分：配置 SIP 站

注意：对于设备的初始配置，无需配置站模板。可以使用缺省值。

1. 选择 **Configure > Convergence Services > Station**。将显示 Station Configuration 页面。
2. 单击 **Add** 添加新站，然后执行以下必需的基本操作：

字段	操作
Name	指定站的名称。
Extensions	输入站的扩展编号。
Class of Restriction	选择已配置的限制分类。
Template Name	选择已定义的站模板。

可以按同样方式配置模拟模板，以便其可共享通用配置。

第5部分：配置模拟站

1. 选择 **Configure > Convergence Services > Station**。将显示 Station Configuration 页面。
2. 单击 **Add** 添加新站，然后执行以下必需的基本操作：

字段	操作
Name	指定站的名称。
Extensions	输入站的扩展编号。
Class of Restriction	选择已配置的限制分类。

字段	操作
Template Name	选择已定义的站模板。
TDM Interface	指定要配置的 TDM 接口类型（FXO、FXS 或 T1）。

注意：可以按同样方式配置各个 SIP 站，以便其可共享通用配置。

第 6 部分：配置对等方呼叫服务器

配置为设备提供呼叫路由和呼叫处理服务的对等方呼叫服务器：

1. 选择 **Configure > Convergence Services > Call Server**。将显示 Peer Call Server Configuration 页面。
2. 执行下列必需的基本操作：

字段	操作
Name	指定对等方呼叫服务器的名称。
PSTN Access Number	如果可存活呼叫服务器必须直接接入 PSTN，则为其指定要使用的外部 PSTN 号码。
Address Type	选择 fqdn 或 ipv4-address 形式的地址类型。
FQDN	输入完全限定域名。
IP Address	输入对等方呼叫服务器的 IP 地址。

注意：配置对等方呼叫服务器时：

- 对于通过对等方呼叫服务器进行自身认证的设备，您可能需要提供对等方呼叫服务器管理员所提供的设备用户 ID 和密码详细信息。
- 您可以接受 Port (5060) 和 Transport (UDP) 字段中的缺省值。
- 对于设备的初始配置，无需指定编解码器。将使用缺省的编解码器设置。缺省情况下，按以下顺序指定编解码器：711- μ ，G711-A，G729AB。

第 7 部分：配置中继

为设备或可存活呼叫服务器要使用的 PSTN 时分复用 (TDM) 接口配置中继以将呼叫路由到目的地。

1. 选择 **Configure > Convergence Services > Gateway > Trunks**。将显示 New Trunk Configuration 页面。
2. 执行下列操作：

字段	操作
Trunk Name	输入中继的名称。
Trunk Type	选择中继类型（FXO、FXS 或 T1）。
TDM Interface	选择要配置的 TDM 接口类型（FXO、FXS 或 T1）以路由特定类型的呼叫。

第 8 部分：配置中继组

中继组由多个中继组成，这些中继按照路由由呼叫时必须选择的优先顺序来指定。

1. 选择 **Configure > Convergence Services > Gateway > Trunk Groups**。将显示 Trunk Group Configuration 页面。
2. 单击 **Add** 创建新中继组，然后执行以下必需的基本操作：

字段	操作
Name	指定中继组的名称。
Available Trunks	选择适用于设置的中继。

第 9 部分：创建拨号计划

创建拨号计划以便使对等方呼叫服务器能够路由从分公司 SIP 电话 / 模拟站向其 PSTN 发出的出站呼叫：

1. 选择 **Configure > Convergence Services > Dial Plan**，然后单击 **Dial Plan**。将显示 Dial Plan Configuration 页面。
2. 单击 **Add** 创建新拨号计划。将显示 New Dial Plan Configuration 页面。
3. 在 Dial Plan Name 字段中输入名称，然后单击 **Add**。将显示 New Route Pattern Configuration 页面。
4. 执行下列必需的基本操作：

字段	操作
Route Pattern	指定路由模式名称。
Call Type	选择呼叫类型。缺省类型为中继呼叫。
Trunk-groups	选择路由模式要包括的预配置中继组。

注意：您可以接受 Preference 和 Digit Manipulation 字段中的缺省值。

第 10 部分：配置媒体网关

配置媒体网关，以便用户能够在对等方呼叫服务器可提供呼叫路由和其他呼叫处理服务时在分公司内部进行外部呼叫：

1. 选择 **Configure > Convergence Services > Media Gateway > Gateway**。将显示 Media Gateway Configuration 页面。
2. 单击 **Add**，然后输入以下必需设置：

字段	操作
Media Gateway	指定设备名称。
Call Server	选择要关联的对等方呼叫服务器。
Dial Plan	选择预配置的拨号计划。
Zone	指定设备区段的服务点以启用指定区域的媒体网关和可存活呼叫服务器服务。

注意：您可以接受 Port (5060) 和 Transport (UDP) 字段中的缺省值。

第 11 部分：配置可存活呼叫服务器

当无法连接对等方呼叫服务器时，该服务器将承担对等方呼叫服务器的职责：

1. 选择 **Configure > Convergence Services > Call Service**。将显示 Survivable Call Service 页面。
2. 单击 **Add** 创建新呼叫服务，然后执行以下必需的基本操作：

字段	操作
Call Service Name	指定呼叫服务的名称。
Call Server	选择对等方呼叫服务器名称。
Dial Plan	选择可存活呼叫服务器将使用的预配置拨号计划。
Zone	指定区段的名称。

注意：配置呼叫服务所需的所有其他参数均为可选，您可以接受这些参数的缺省值。

切断设备电源

您可以通过以下方式之一切断设备电源：

- 从容关闭 - 按下并立即松开 Power 。设备开始从容地关闭操作系统。
- 立即关闭 - 按下 Power 并保持 10 秒钟。设备立即关闭。再次按下该 Power 可接通设备电源。

注意：可以在 J-Web 界面中通过选择 **Maintain > Reboot** 来重新启动或停止系统。

有关其他配置信息，请参阅 *Branch SRX Series Services Gateways Golden Configurations*，网址为

<http://www.juniper.net/us/en/local/pdf/app-notes/3500153-en.pdf>。

有关软件配置的详细信息，请参阅

<http://www.juniper.net/techpubs/software/junos-srx/index.html> 上提供的软件文档。

联系 Dell

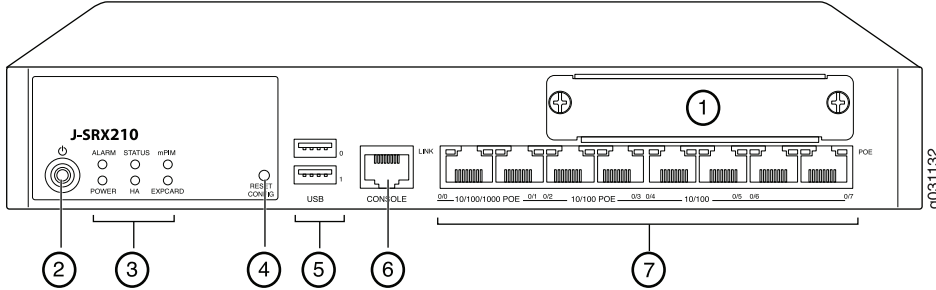
要获取技术支持，请访问 <http://www.support.dell.com>。



Passerelle de services Dell PowerConnect J-Series J-SRX210 - Guide de mise en route

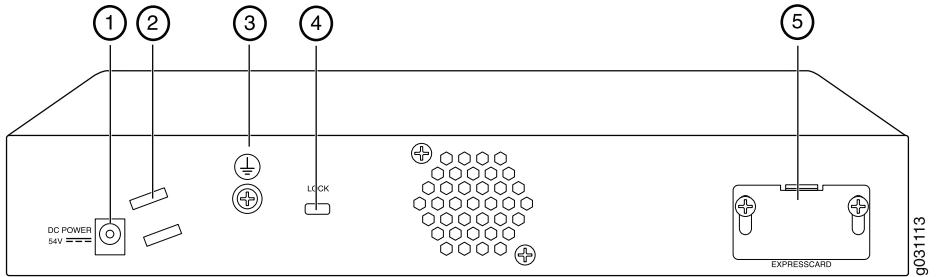
Suivez les instructions du présent guide de mise en route pour connecter la passerelle de services Dell PowerConnect J-Series J-SRX210 à votre réseau. Pour plus d'informations, consultez le manuel *J-SRX210 Services Gateway Hardware Guide* disponible sur le site Internet <http://www.support.dell.com/manuals>.
(Numéro de modèle réglementaire SRX210)

Panneau avant de la passerelle de services J-SRX210 (J-SRX210B, J-SRX210H, J-SRX210H-POE)



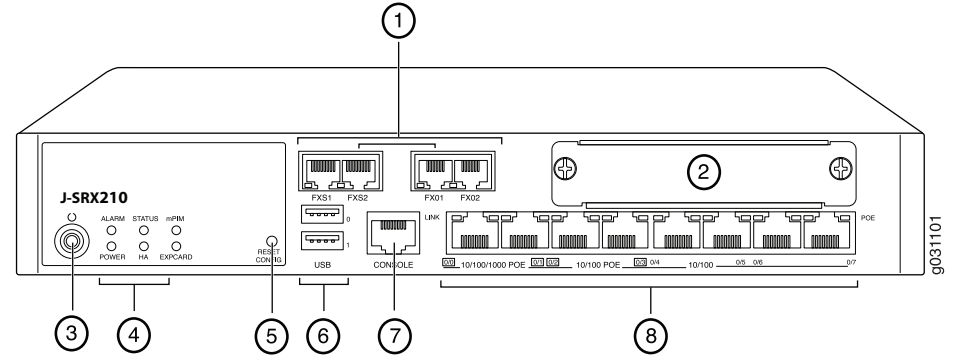
Référence	Description	Référence	Description
1	Fente mini-PIM	5	Ports USB
2	Bouton Power	6	Port Console
3	DEL (ALARM, POWER, STATUS, HA, mPIM et EXPCARD)	7	Ports Gigabit Ethernet (0/0 et 0/1) et Fast Ethernet (de 0/2 à 0/7)
4	Bouton Reset Config		

Panneau arrière de la passerelle de services J-SRX210 (J-SRX210B, J-SRX210H, J-SRX210H-POE)



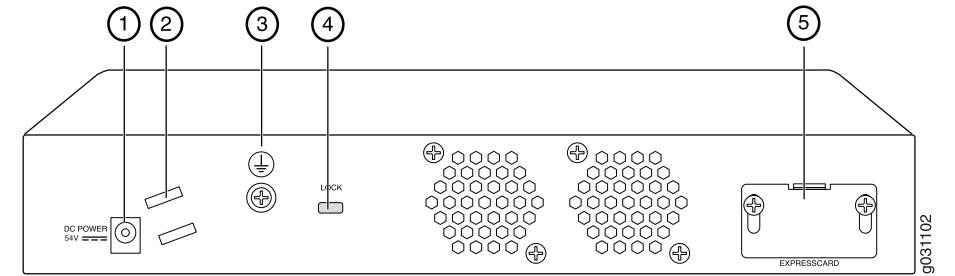
Référence	Description	Référence	Description
1	Connecteur d'alimentation	4	Verrou du câble de sécurité
2	Support de câble	5	Fente ExpressCard
3	Point de mise à la terre		

Panneau avant de la passerelle de services J-SRX210 avec services de convergence intégrés (J-SRX210H-P-MGW)



Référence	Description	Référence	Description
1	Ports voix FXS et FXO	5	Bouton Reset Config
2	Fente miniPIM	6	Ports USB
3	Bouton Power	7	Port Console
4	DEL (ALARM, POWER, STATUS, HA, mPIM et EXPCARD)	8	Ports Gigabit Ethernet (0/0 et 0/1) et Fast Ethernet (de 0/2 à 0/7)

Panneau arrière de la passerelle de services J-SRX210 avec services de convergence intégrés (J-SRX210H-P-MGW)



Référence	Description	Référence	Description
1	Connecteur d'alimentation	4	Verrou du câble de sécurité
2	Support de câble	5	Fente ExpressCard
3	Point de mise à la terre		



Modèles de passerelle de services J-SRX210

Les modèles de passerelle de services J-SRX210 suivants sont disponibles :

Unité	Mémoire DDR	Alimentation via Ethernet	Prise en charge de la voix
J-SRX210B	512 Mo	Non	Non
J-SRX210H	1 Go	Non	Non
J-SRX210H-POE	1 Go	Oui	Non
J-SRX210H-P-MGW	1 Go	Oui	Oui

REMARQUE : sur les modèles J-SRX210H-PoE et J-SRX210H-P-MGW, 4 ports (ge-0/0/0, ge-0/0/1, fe-0/0/2 et fe-0/0/3) prennent en charge la fonctionnalité d'alimentation via Ethernet (PoE - Power over Ethernet) de 50 watts.

Connexion et configuration de la passerelle de services J-SRX210

Suivez les instructions ci-après pour connecter et configurer la passerelle de services J-SRX210 à votre réseau afin de le protéger. Observez les DEL sur le panneau avant de l'unité pour mieux déterminer l'état de cette dernière.

Partie 1 : Raccordement de la passerelle de services à la terre

1. Procurez-vous un câble de mise à la terre — 14 AWG monotoron, 4 A — avec œillet TV14-6R de type anneau à gaine en vinyle ou équivalent fixé par un électricien professionnel.
2. Connectez le câble de mise à la terre à une terre correcte.
3. Placez l'œillet du câble de mise à la terre sur le point de mise à la terre dans la partie supérieure arrière du châssis, puis fixez l'œillet avec une vis 6-32 UNC.

Partie 2 : Raccordement du câble d'alimentation à l'unité

Reliez l'unité au secteur à l'aide du câble d'alimentation. L'utilisation d'un dispositif de protection contre les surtensions est recommandée. Notez les points suivants :

- POWER LED (verte) : l'unité est sous tension.
- STATUS LED (verte) : l'unité fonctionne normalement.
- ALARM LED (orange) : l'unité fonctionne normalement, mais aucune configuration de sauvegarde n'a été définie. Il ne s'agit pas d'un cas d'alerte.
- mPIM LED (éteinte) : le (Mini-PIM) Mini-Physical Interface Module est absent ou l'unité ne l'a pas détecté. Une lumière verte fixe indique pour cette DEL que le minimodule d'interface physique fonctionne correctement.

REMARQUE : si une configuration de sauvegarde est définie, une lumière orange de la ALARM LED indique une alarme mineure et une lumière rouge fixe indique la détection d'un problème majeur sur la passerelle de services.

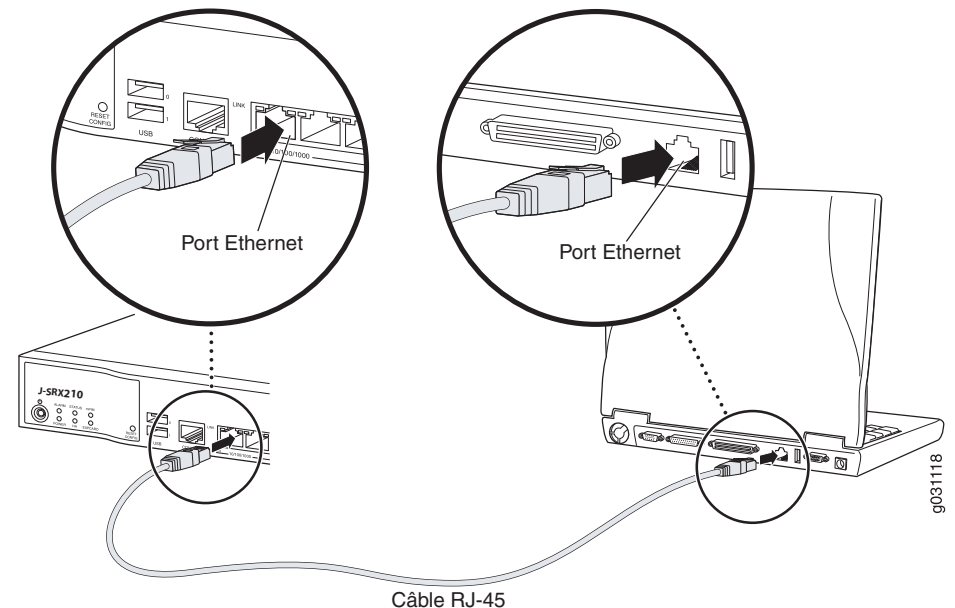
REMARQUE : lorsque vous mettez l'unité sous tension, sa procédure d'amorçage peut prendre de 5 à 7 minutes. Veuillez patienter jusqu'à ce que la STATUS LED s'allume en vert avant de passer à l'étape suivante.

Partie 3 : Connexion du dispositif de gestion

Connectez le dispositif de gestion à la passerelle de services de l'une des manières suivantes :

- À l'aide d'un câble RJ-45 (câble Ethernet), reliez l'un des ports suivants du panneau avant de l'unité au port Ethernet du dispositif de gestion (postes de travail ou ordinateur portable) :
 - ge-0/0/1
 - de fe-0/0/2 à fe-0/0/7Cette méthode est recommandée. Si vous optez pour cette méthode de connexion, passez à la Partie 4.
- À l'aide d'un câble RJ-45 (câble Ethernet), reliez le port CONSOLE de l'unité à l'adaptateur DB-9 fourni, puis connectez ce dernier au port série du dispositif de gestion. (Paramètres du port série : **9600 8-N-1**.)
Si vous optez pour cette méthode de connexion, reportez-vous aux instructions de configuration de l'interface de ligne de commande indiquées dans le guide *Branch SRX Series Services Gateways Golden Configurations* disponible à l'adresse <http://www.juniper.net/us/en/local/pdf/app-notes/3500153-en.pdf>.

Pour plus d'informations sur la connexion d'une interface de gestion, observez l'illustration ci-après :



Partie 4 : Présentation des paramètres de configuration par défaut

La passerelle de services J-SRX210 est un dispositif de routage sécurisé dont le bon fonctionnement est tributaire des paramètres de configuration de base suivants :

- Vous devez attribuer des adresses IP aux interfaces.
- Vous devez associer les interfaces à des zones.
- Vous devez configurer des règles autorisant ou refusant la transmission de données entre les zones.
- Vous devez définir les règles NAT des adresses source.

Lorsque vous mettez l'unité sous tension pour la première fois, elle utilise la configuration par défaut suivante. Pour vous en servir, aucune configuration initiale n'est nécessaire.

PARAMÈTRES PAR DÉFAUT DÉFINIS EN USINE DES INTERFACES

Port Label	Interface	Security Zone	DHCP State	IP Address
0/0	ge-0/0/0	untrust	client	non attribuée
0/1 et de 0/2 à 0/7	ge-0/0/1 et de fe-0/0/2 à fe-0/0/7	trust	server	192.168.1.1/24

PARAMÈTRES PAR DÉFAUT DÉFINIS EN USINE DES RÈGLES DE SÉCURITÉ

Source Zone	Destination Zone	Policy Action
trust	untrust	autoriser
trust	trust	autoriser
untrust	trust	interdire

PARAMÈTRES PAR DÉFAUT DÉFINIS EN USINE DE LA RÈGLE NAT

Source Zone	Destination Zone	Policy Action
trust	untrust	définir l'adresse NAT source sur l'interface de la zone Untrust

Partie 5 : Vérification de l'attribution d'une adresse IP au dispositif de gestion

Une fois le dispositif de gestion connecté à la passerelle de services, le processus du serveur DHCP sur cette passerelle attribue automatiquement une adresse IP à ce dispositif. Assurez-vous que le dispositif de gestion reçoit bien de l'unité une adresse IP sur le sous-réseau **192.168.1/24** (autre que **192.168.1.1**).

REMARQUE :

- La passerelle de services se comporte comme un serveur DHCP et attribue une adresse IP au dispositif de gestion.
- Si aucune adresse IP n'est attribuée au dispositif de gestion, configurez-en une manuellement sur le sous-réseau **192.168.1.0/24**. N'attribuez pas l'adresse IP **192.168.1.1** au dispositif de gestion ; elle est déjà attribuée à l'unité. Par défaut, le serveur DHCP est activé sur l'interface de VLAN de couche 3, à savoir (IRB) vlan.0 (ge-0/0/1 et de fe-0/0/2 à fe-0/0/7), dotée de l'adresse IP **192.168.1.1/24**.
- Lorsque vous mettez la passerelle de services J-SRX210 sous tension pour la première fois, elle démarre en utilisant sa configuration par défaut définie en usine.

Partie 6 : Vérification de l'attribution d'une adresse IP à la passerelle de services

Pour obtenir une adresse IP sur la passerelle de services, procédez de l'une des manières suivantes :

MÉTHODE 1 : OBTENTION D'UNE ADRESSE IP DYNAMIQUE SUR LA PASSERELLE DE SERVICES

Connectez-vous à votre fournisseur d'accès Internet (FAI) via le port ge-0/0/0. Votre FAI va utiliser le processus DHCP pour attribuer une adresse IP à l'unité.

Si vous optez pour cette méthode d'obtention de l'adresse IP sur la passerelle, passez aux instructions des Parties 7 à 10 du présent document pour configurer l'unité et la transmission de données.

MÉTHODE 2 : OBTENTION D'UNE ADRESSE IP STATIQUE SUR LA PASSERELLE DE SERVICES

Connectez-vous à votre FAI via le port ge-0/0/0. Votre FAI vous communique une adresse IP statique. Il n'utilisera pas le processus DHCP pour vous attribuer une adresse IP.

Si vous optez pour cette méthode d'obtention de l'adresse IP sur la passerelle, passez aux instructions des Parties 7 à 10 du présent document.

Partie 7 : Accès à l'interface J-Web

1. Lancez un navigateur Web sur le dispositif de gestion.
2. Saisissez **http://192.168.1.1** dans le champ d'adresse URL. La page de connexion à l'interface J-Web s'affiche.
3. Indiquez le nom d'utilisateur par défaut **root**. N'entrez aucun mot de passe dans le champ Password.
4. Cliquez sur **Log In**. La page Initial Setup de l'interface J-Web apparaît.

Partie 8 : Configuration des paramètres de base

Configurez les paramètres de base, tels que Host Name, Domain Name et Root Password, de la passerelle de services.

IMPORTANT : avant d'appliquer votre configuration, vérifiez que vous avez configuré l'adresse IP et le mot de passe de l'utilisateur root.

REMARQUE : chaque champ signalé par un astérisque (*) est obligatoire.

Si, à la Partie 6, vous avez opté pour la Méthode 2 pour obtenir une adresse IP sur la passerelle de services, n'oubliez pas de modifier les paramètres J-Web comme suit :

1. Décochez la case **Enable DHCP on ge-0/0/0.0**.
2. Saisissez l'adresse IP manuelle fournie par votre FAI dans le champ d'adresse **ge-0/0/0.0**. Cette adresse IP doit respecter le format *a.b.c.d/xx*, *xx* étant le masque de sous-réseau.
3. Saisissez l'adresse IP de la passerelle dans le champ Default Gateway. Vous obtiendrez également cette adresse IP auprès de votre FAI.
4. Saisissez le nom des serveurs dans le champ **DNS name servers**. Vous obtiendrez le nom de ces serveurs auprès de votre FAI.
5. Appliquez la configuration.

Partie 9 : Application de la configuration de base

1. Cliquez sur **Commit** pour enregistrer la configuration de base.
2. Cliquez sur **Apply** pour appliquer la configuration de base.

REMARQUE : pour modifier la configuration de l'interface, consultez le manuel *Branch SRX Series Services Gateways Golden Configurations* disponible à l'adresse <http://www.juniper.net/us/en/local/pdf/app-notes/3500153-en.pdf>.

Partie 10 : Vérification de la configuration

Accédez au site <http://www.support.dell.com> pour vérifier votre connexion Internet. Si la connexion s'établit, vous avez la confirmation que vous pouvez transmettre des données via la passerelle de services.

REMARQUE : si la page <http://www.support.dell.com> ne se charge pas, examinez vos paramètres de configuration et vérifiez que vous avez appliqué la configuration.

Ces vérifications terminées, vous pouvez transmettre des données depuis n'importe quel port trust vers le port untrust.

Connexion et configuration de la passerelle de services J-SRX210 avec services de convergence intégrés

Si vous disposez d'un modèle J-SRX210H-P-MGW, suivez les instructions ci-après pour configurer la prise en charge de la voix sur la passerelle média, et pour passer et recevoir des appels à l'aide de votre unité.

Vous trouverez dans le tableau ci-après le récapitulatif des étapes de configuration de la prise en charge de la voix sur la passerelle média.

Étape	Tâche	Étape	Tâche
1	Connexion des ports FXO et FXS	7	Configuration du trunk
2	Accès à l'interface J-Web	8	Configuration des groupes de trunks
3	Configuration de la catégorie de restriction	9	Création du plan de numérotation
4	Configuration de la station SIP	10	Configuration de la passerelle média
5	Configuration de la station analogique	11	Configuration du serveur d'appels persistant
6	Configuration du serveur d'appels homologue		

Partie 1 : Connexion des ports FXS et FXO

1. À l'aide d'un câble RJ-11, reliez un périphérique analogique, tel qu'un téléphone, un télécopieur ou un modem, à un port FXS (FXS1 ou FXS2) de l'unité.
2. À l'aide d'un câble RJ-11, reliez un commutateur de central ou un port d'une station de réseau PSTN à un port FXO (FXO1 ou FXO2) de l'unité.
3. À l'aide d'un câble Ethernet, reliez le téléphone voix sur IP (VoIP) à un port d'alimentation via Ethernet (ge-0/0/0, ge-0/0/1, fe-0/0/2 ou fe-0/0/3) de l'unité.

Partie 2 : Accès à l'interface J-Web

1. Lancez un navigateur Web depuis le dispositif de gestion.
2. Connectez-vous à l'aide des données d'identification que vous avez définies au cours de la configuration initiale décrite à la section « Connexion et configuration de la passerelle de services J-SRX210 ».
3. La page Dashboard de l'interface J-Web s'affiche.

Partie 3 : Configuration de la catégorie de restriction

Configurez la catégorie de restriction pour définir la règle servant à préciser les autorisations en fonction des types d'appel :

1. Sélectionnez **Configure > Convergence Services > Station > Class of Restriction**. La page Class of Restriction Configuration apparaît.
2. Cliquez sur **Add** pour créer une catégorie de restriction. La page New Class of Restriction apparaît.
3. Saisissez le nom de cette catégorie dans le champ Class of Restriction.
4. Cliquez sur **Add** pour ajouter une règle à la catégorie de restriction que vous venez de créer. La page New Policy Configuration apparaît.
5. Procédez comme suit :

Champ	Action
Policy Name	Indiquez le nom de la règle.
Available Call Types	Sélectionnez les types d'appel adaptés à votre configuration.
Permissions	Définissez les autorisations (accords ou refus) associées aux types d'appel sélectionnés.

REMARQUE : par défaut, seuls les appels entre succursales et vers des numéros d'urgence sont autorisés.

Partie 4 : Configuration de la station SIP

REMARQUE : dans le cadre de la configuration initiale de l'unité, il n'est pas nécessaire de configurer les modèles de la station. Vous pouvez utiliser les valeurs par défaut.

1. Sélectionnez **Configure > Convergence Services > Station**. La page Station Configuration apparaît.
2. Cliquez sur **Add** pour ajouter cette nouvelle station, puis exécutez les actions de base obligatoires suivantes :

Champ	Action
Name	Indiquez le nom de la station.
Extensions	Saisissez le numéro de poste de la station.
Class of Restriction	Sélectionnez la catégorie de restriction déjà configurée.
Template Name	Sélectionnez le modèle de station déjà défini.

Vous pouvez définir tous les modèles analogiques de sorte qu'ils partagent la même configuration.

Partie 5 : Configuration de la station analogique

1. Sélectionnez **Configure > Convergence Services > Station**. La page Station Configuration apparaît.
2. Cliquez sur **Add** pour ajouter cette nouvelle station, puis exécutez les actions de base obligatoires suivantes :

Champ	Action
Name	Indiquez le nom de la station.
Extensions	Saisissez le numéro de poste de la station.
Class of Restriction	Sélectionnez la catégorie de restriction déjà configurée.

Champ	Action
Template Name	Sélectionnez le modèle de station déjà défini.
TDM Interface	Précisez le type d'interface TDM à configurer (FXO, FXS ou T1).

REMARQUE : vous pouvez définir toutes les stations SIP de sorte qu'elles partagent la même configuration.

Partie 6 : Configuration du serveur d'appels homologue

Configurez le serveur d'appels homologue qui fournit les services de routage et de traitement des appels pour l'unité :

1. Sélectionnez **Configure > Convergence Services > Call Server**. La page Peer Call Server Configuration apparaît.
2. Exécutez les actions de base obligatoires suivantes :

Champ	Action
Name	Indiquez le nom du serveur d'appels homologue.
PSTN Access Number	Indiquez le numéro PSTN externe que le serveur d'appels persistant doit utiliser s'il doit contacter le réseau PSTN directement.
Address Type	Sélectionnez le type d'adresse fqdn ou ipv4-address .
FQDN	Saisissez le nom de domaine complet qualifié.
IP Address	Saisissez l'adresse IP du serveur d'appels homologue.

REMARQUE : lors de la configuration du serveur d'appels homologue :

- Pour que l'unité s'authentifie auprès du serveur d'appels homologue, vous devrez peut-être fournir l'ID d'utilisateur et le mot de passe que l'administrateur du serveur d'appels homologue vous a communiqués pour cette unité.
- Vous pouvez accepter les valeurs par défaut indiquées dans les champs Port (5060) et Transport (UDP).
- Dans le cadre de la configuration initiale de l'unité, il n'est pas nécessaire d'indiquer le codec. Le groupe de codecs par défaut est utilisé. Par défaut, les codecs sont précisés dans l'ordre suivant : 711-μ, G711-A et G729AB.

Partie 7 : Configuration d'un trunk

Configurez un trunk pour que l'unité ou le serveur d'appels persistant utilisent une interface TDM (Time-Division Multiplexing) PSTN pour acheminer les appels vers leurs destinataires.

1. Sélectionnez **Configure > Convergence Services > Gateway > Trunks**. La page New Trunk Configuration apparaît.
2. Procédez comme suit :

Champ	Action
Trunk Name	Saisissez le nom du trunk.
Trunk Type	Sélectionnez le type de trunk (FXO, FXS ou T1).
TDM Interface	Sélectionnez le type d'interface TDM à configurer (FXO, FXS ou T1) pour le routage de types d'appel spécifiques.

Partie 8 : Configuration des groupes de trunks

Un groupe de trunks comprend les différents trunks à sélectionner en fonction de leur ordre de priorité pour acheminer un appel.

1. Sélectionnez **Configure > Convergence Services > Gateway > Trunk Groups**. La page Trunk Group Configuration apparaît.
2. Cliquez sur **Add** pour créer un groupe de trunks, puis exécutez les actions de base obligatoires suivantes :

Champ	Action
Name	Indiquez le nom du groupe de trunks.
Available Trunks	Sélectionnez les trunks adaptés à votre configuration.

Partie 9 : Création du plan de numérotation

Créez le plan de numérotation qui va permettre au serveur d'appels homologue d'acheminer les appels sortants émis à partir de téléphones SIP/stations analogiques de la succursale vers son réseau PSTN :

1. Sélectionnez **Configure > Convergence Services > Dial Plan** et cliquez sur **Dial Plan**. La page Dial Plan Configuration apparaît.
2. Cliquez sur **Add** pour créer un plan de numérotation. La page New Dial Plan Configuration apparaît.
3. Saisissez son nom dans le champ Dial Plan Name et cliquez sur **Add**. La page New Route Pattern Configuration apparaît.
4. Exécutez les actions de base obligatoires suivantes :

Champ	Action
Route Pattern	Indiquez le nom du modèle de routage.
Call Type	Sélectionnez le type d'appel. La valeur par défaut est trunk-call.
Trunk-groups	Sélectionnez les groupes de trunks préconfigurés à inclure dans le modèle de routage.

REMARQUE : vous pouvez accepter les valeurs par défaut proposées dans les champs Preference et Digit Manipulation.

Partie 10 : Configuration de la passerelle média

Configurez la passerelle média qui va permettre aux utilisateurs de passer des appels au sein de la succursale et en externe lorsque le serveur d'appels homologue est accessible pour les services de routage et de traitement d'appels :

1. Sélectionnez **Configure > Convergence Services > Media Gateway > Gateway**. La page Media Gateway Configuration apparaît.
2. Cliquez sur **Add** et saisissez les paramètres obligatoires suivants :

Champ	Action
Media Gateway	Indiquez le nom de l'unité.
Call Server	Sélectionnez le serveur d'appels homologue auquel associer l'unité.
Dial Plan	Sélectionnez un plan de numérotation préconfiguré.
Zone	Indiquez le point de service de la zone de l'unité afin d'activer les services de la passerelle média et du serveur d'appels persistant pour la zone indiquée.

REMARQUE : vous pouvez accepter les valeurs par défaut indiquées dans les champs Port (5060) et Transport (UDP).

Partie 11 : Configuration du serveur d'appels persistant

Ce serveur joue le rôle de serveur d'appels homologue lorsque ce dernier n'est pas joignable :

1. Sélectionnez **Configurer > Convergence Services > Call Service**. La page Survivable Call Service apparaît.
2. Cliquez sur **Add** pour créer un service d'appel, puis exécutez les actions de base obligatoires suivantes :

Champ	Action
Call Service Name	Indiquez le nom du service d'appel.
Call Server	Sélectionnez le nom du serveur d'appels homologue.
Dial Plan	Sélectionnez le plan de numérotation préconfiguré que le serveur d'appels persistant doit utiliser.
Zone	Indiquez le nom de la zone.

REMARQUE : tous les paramètres servant à configurer le service d'appel sont facultatifs. Vous pouvez accepter les valeurs par défaut définies pour ces paramètres.

Mise hors tension de l'unité

Vous pouvez mettre hors tension l'unité en suivant l'une des procédures suivantes :

- Arrêt normal : appuyez sur le bouton Power puis relâchez-le immédiatement. L'unité commence à arrêter normalement le système d'exploitation.
- Arrêt immédiat : maintenez le bouton Power enfoncé pendant 10 secondes. L'unité s'arrête immédiatement. Appuyez une nouvelle fois sur le bouton Power pour rallumer l'unité.

REMARQUE : pour redémarrer ou arrêter le système dans l'interface J-Web, vous pouvez sélectionner **Maintenir > Reboot**.

Pour obtenir des informations complémentaires sur la configuration, consultez le manuel *Branch SRX Series Services Gateways Golden Configurations* disponible à l'adresse <http://www.juniper.net/us/en/local/pdf/app-notes/3500153-en.pdf>.

Pour plus d'informations sur la configuration logicielle, consultez la documentation correspondante disponible à l'adresse <http://www.juniper.net/techpubs/software/junos-srx/index.html>.

Contacteur Dell

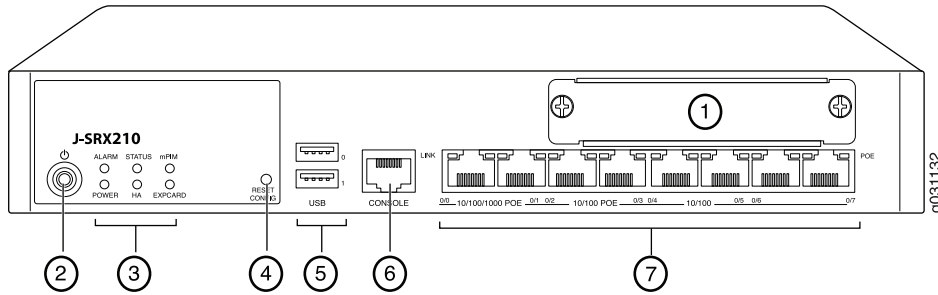
Pour obtenir une assistance technique, consultez le site Web <http://www.support.dell.com>.



Dell PowerConnect J-Serie J-SRX210 Services Gateway – Schnellstart

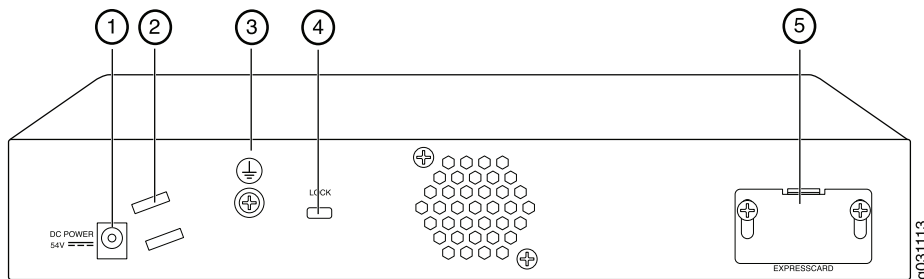
Lesen Sie die Anweisungen in dieser Schnellstartanleitung, um das Dell PowerConnect J-Serie J-SRX210-Services-Gateway mit Ihrem Netzwerk zu verbinden. Details finden Sie im *J-SRX210 Services Gateway Hardware Guide* unter <http://www.support.dell.com/manuals>. (Modellnummer SRX210)

J-SRX210 Services Gateway (J-SRX210B, J-SRX210H, J-SRX210H-POE) – Vorderseite



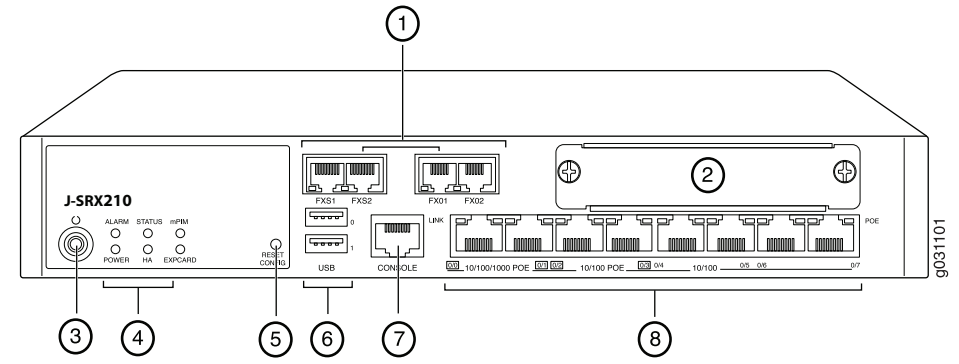
Beschriftung	Beschreibung	Beschriftung	Beschreibung
1	Mini-PIM-Slot	5	USB-Ports
2	Power-Taste	6	Konsolenport
3	LEDs (ALARM, POWER, STATUS, HA, mPIM, EXPCARD)	7	Gigabit Ethernet-Ports (0/0 und 0/1) und Fast Ethernet-Ports (0/2 bis 0/7)
4	Reset Config-Taste		

J-SRX210 Services Gateway (J-SRX210B, J-SRX210H, J-SRX210H-POE) – Rückseite



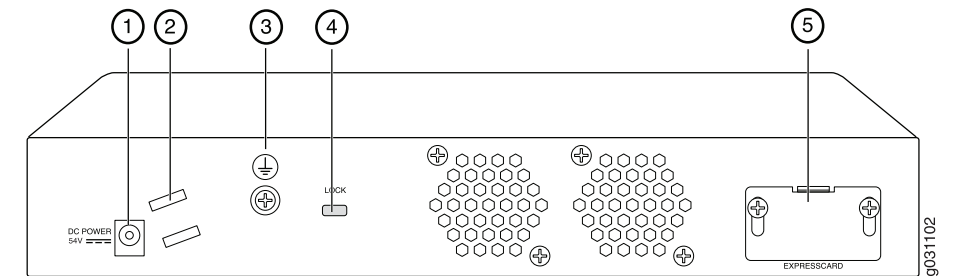
Beschriftung	Beschreibung	Beschriftung	Beschreibung
1	Eingang für Netzteil	4	Sperre für Sicherheitskabel
2	Kabelhalterung	5	ExpressCard-Slot
3	Erdungspunkt		

J-SRX210-Services-Gateway mit integrierten Konvergenzdiensten (J-SRX210H-P-MGW) – Vorderseite



Beschriftung	Beschreibung	Beschriftung	Beschreibung
1	FXS- und FXO-Voiceports	5	Reset Config-Taste
2	Mini-PIM-Slot	6	USB-Ports
3	Power-Taste	7	Konsolenport
4	LEDs (ALARM, POWER, STATUS, HA, mPIM, EXPCARD)	8	Gigabit Ethernet-Ports (0/0 und 0/1) und Fast Ethernet-Ports (0/2 bis 0/7)

J-SRX210-Services-Gateway mit integrierten Konvergenzdiensten (J-SRX210H-P-MGW) – Rückseite



Beschriftung	Beschreibung	Beschriftung	Beschreibung
1	Eingang für Netzteil	4	Sperre für Sicherheitskabel
2	Kabelhalterung	5	ExpressCard-Slot
3	Erdungspunkt		



530-036269 REV 01

J-SRX210-Services-Gateway – Modelle

Die folgenden zwei Modelle von J-SRX210-Services-Gateways sind verfügbar:

Gerät	DDR-Speicher	Power over Ethernet	Sprachunterstützung
J-SRX210B	512 MB	Nein	Nein
J-SRX210H	1 GB	Nein	Nein
J-SRX210H-POE	1 GB	Ja	Nein
J-SRX210H-P-MGW	1 GB	Ja	Ja

HINWEIS: Bei den Modellen J-SRX210H-PoE und J-SRX210H-P-MGW wird Power over Ethernet (PoE) mit einer Leistung von 50 Watt über vier Ports (ge-0/0/0, ge-0/0/1, fe-0/0/2 und fe-0/0/3) unterstützt.

Anschließen und Konfigurieren des J-SRX210-Services-Gateways

Schützen Sie Ihr Netzwerk, indem Sie das J-SRX210-Services-Gateway gemäß folgenden Anweisungen anschließen und einrichten. Den Status des Geräts erkennen Sie am Leuchten der jeweiligen LED an der Vorderseite des Geräts.

Teil 1: Services Gateway-Erdung

1. Besorgen Sie ein Erdungskabel (14 AWG, einadrig, 4 A mit einer mit Vinyl isolierten TV14-6R-Erdungsglasche oder eine gleichwertige von einem Elektriker zu montierende Erdungsglasche).
2. Schließen Sie das Erdungskabel an einem geeigneten Erdungsanschluss an.
3. Platzieren Sie die Erdungsglasche des Erdungskabels über dem Massepol oben auf der Chassis-Rückseite, und befestigen Sie sie mit einer 6-32-UNC-Schraube.

Teil 2: Anschließen des Netzkabels an das Gerät

Verbinden Sie das Gerät mittels Netzkabel mit einer Stromquelle. Wir empfehlen die Verwendung eines Überspannungsschutzes. Beachten Sie die folgenden Hinweise:

- POWER-LED (grün): Das Gerät ist am Stromnetz angeschlossen.
- STATUS-LED (grün): Normaler Betrieb des Geräts.
- ALARM-LED (gelb): Der Betrieb des Geräts verläuft ordnungsgemäß, wobei jedoch unter Umständen ein gelbes Warnlicht aufleuchtet, wenn keine Notfallkonfiguration eingerichtet wurde. Dabei handelt es sich nicht um einen gefährlichen Zustand.
- mPIM LED (aus): Das Mini-Physical Interface Module (Mini-PIM) ist nicht vorhanden oder wurde vom Gerät nicht erkannt. Wenn die LED beständig grün leuchtet, bedeutet dies, dass das Mini-PIM ordnungsgemäß funktioniert.

HINWEIS: Nach dem Einrichten einer Notfallkonfiguration weist eine gelbe ALARM-LED auf einen kleineren Alarm hin, wohingegen eine rote ALARM-LED auf ein schwerwiegendes Problem im Services-Gateway hindeutet.

HINWEIS: Das Gerät benötigt nach dem Einschalten zwischen fünf und sieben Minuten für den Startvorgang. Warten Sie, bis die STATUS-LED grün leuchtet, bevor Sie fortfahren.

Teil 3: Anschließen des Verwaltungsgeräts

Verbinden Sie das Verwaltungsgerät mit einer der folgenden Methoden mit dem Services-Gateway:

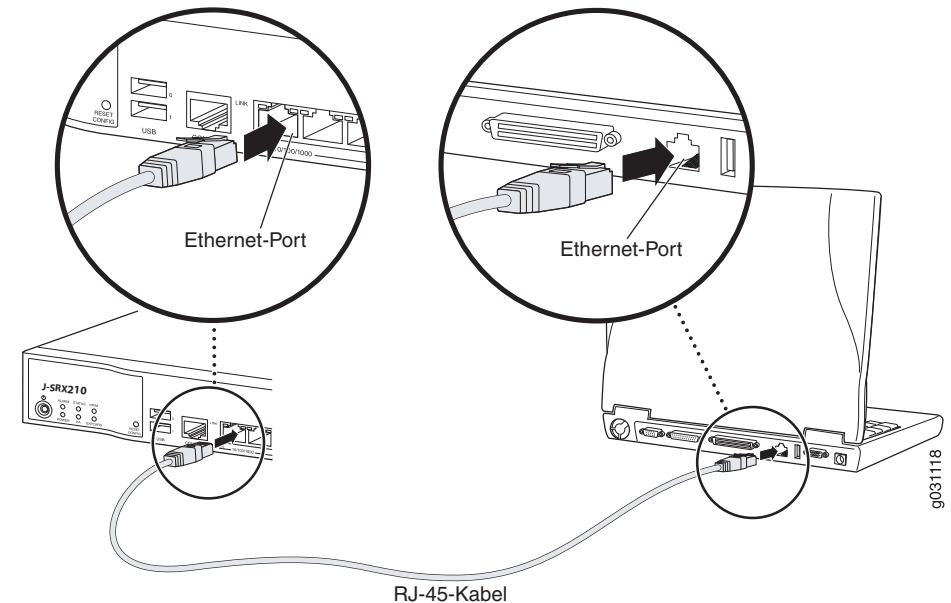
- Verbinden Sie ein RJ-45-Kabel (Ethernet-Kabel) von einem der folgenden Ports an der Vorderseite mit dem Ethernet-Port am Verwaltungsgerät (Workstation oder Laptop):
 - ge-0/0/1
 - fe-0/0/2 bis fe-0/0/7

Wir empfehlen diese Verbindungsmethode. Wenn Sie das Gerät auf diese Weise verbinden, fahren Sie mit Teil 4 fort.

- Verbinden Sie den Konsolenport mittels eines RJ-45-Kabels Ethernet-Kabel mit dem mitgelieferten DB-9-Adapter, der wiederum mit dem seriellen Port des Verwaltungsgeräts verbunden werden muss. (Einstellungen serieller Port: **9600 8-N-1**.)

Wenn Sie das Gerät auf diese Weise verbinden, lesen Sie die CLI-Konfigurationsanweisungen in *Branch SRX Series Services Gateways Golden Configurations* unter <http://www.juniper.net/us/en/local/pdf/app-notes/3500153-en.pdf>.

Die folgende Abbildung veranschaulicht die einzelnen Schritte für den Anschluss an eine Verwaltungsschnittstelle:



Teil 4: Hinweise zu den standardmäßigen Konfigurationseinstellungen

Das J-SRX210-Services-Gateway ist ein Gerät für sicheres Routing, für dessen ordnungsgemäße Funktion die folgenden Konfigurationseinstellungen erforderlich sind:

- Schnittstellen müssen IP-Adressen zugewiesen werden.
- Schnittstellen müssen an Zonen gebunden werden.
- Zwischen Zonen müssen Richtlinien konfiguriert werden, um Datenverkehr zuzulassen bzw. zu verweigern.
- Regeln für Quell-NAT müssen festgelegt werden.

Für das Gerät wird beim ersten Einschalten die folgende Standardkonfiguration festgelegt. Damit Sie das Gerät verwenden können, muss keine Erstkonfiguration ausgeführt werden.

WERKSEITIGE STANDARDEINSTELLUNGEN FÜR SCHNITTSTELLEN

Portbeschriftung	Schnittstelle	Sicherheitszone	DHCP-Status	IP-Adresse
0/0	ge-0/0/0	untrust	Client	nicht zugewiesen
0/1 und 0/2 bis 0/7	ge-0/0/1 und fe-0/0/2 bis fe-0/0/7	trust	Server	192.168.1.1/24

WERKSEITIGE STANDARDEINSTELLUNGEN FÜR SICHERHEITSRICHTLINIEN

Quellzone	Zielzone	Richtlinienaktion
trust	untrust	zulassen
trust	trust	zulassen
untrust	trust	verweigern

WERKSEITIGE STANDARDEINSTELLUNGEN FÜR NAT-REGEL

Quellzone	Zielzone	Richtlinienaktion
trust	untrust	Quell-NAT zu Schnittstelle mit Untrust Zonen

Teil 5: Sicherstellen der Zuweisung einer IP-Adresse für das Verwaltungsgerät

Nach dem Anschließen des Verwaltungsgeräts an das Services-Gateway weist der DHCP-Serverprozess auf dem Services-Gateway dem Verwaltungsgerät automatisch eine IP-Adresse zu. Stellen Sie sicher, dass das Verwaltungsgerät im Subnetzwerk **192.168.1/24** vom Gerät eine IP-Adresse anfordert (nicht **192.168.1.1**).

HINWEIS:

- Das Services-Gateway fungiert als DHCP-Server und weist dem Verwaltungsgerät eine IP-Adresse zu.
- Wird dem Verwaltungsgerät keine IP-Adresse zugewiesen, konfigurieren Sie die IP-Adresse im Subnetzwerk **192.168.1.0/24** manuell. Weisen Sie dem Verwaltungsgerät nicht die IP-Adresse **192.168.1.1** zu, da diese IP-Adresse dem Gerät zugewiesen ist. Standardmäßig wird der DHCP-Server auf der L3-VLAN-Schnittstelle aktiviert, (IRB) vlan.0 (ge-0/0/1 und fe-0/0/2 to fe-0/0/7), die mit der IP-Adresse **192.168.1.1/24** konfiguriert ist.
- Beim ersten Einschalten eines J-SRX210 Series Services Gateways wird es mit der werkseitigen Standardkonfiguration gestartet.

Teil 6: Sicherstellen, dass dem Services-Gateway eine IP-Adresse zugewiesen wird

Verwenden Sie eine der folgenden Methoden, um für das Services-Gateway eine IP-Adresse abzurufen:

METHODE 1: ABRUFEN EINER DYNAMISCHEN IP-ADRESSE FÜR DAS SERVICES-GATEWAY

Verwenden Sie den Port ge-0/0/0, um eine Verbindung mit dem Internetdienstanbieter (ISP) herzustellen. Der Internetdienstanbieter weist mit dem DHCP-Prozess eine IP-Adresse zu.

Wenn Sie mit dieser Methode eine IP-Adresse für das Services-Gateway abrufen, führen Sie die Schritte in Teil 7 bis Teil 10 diesem Dokument aus, um das Gerät zu konfigurieren und Datenverkehr weiterzuleiten.

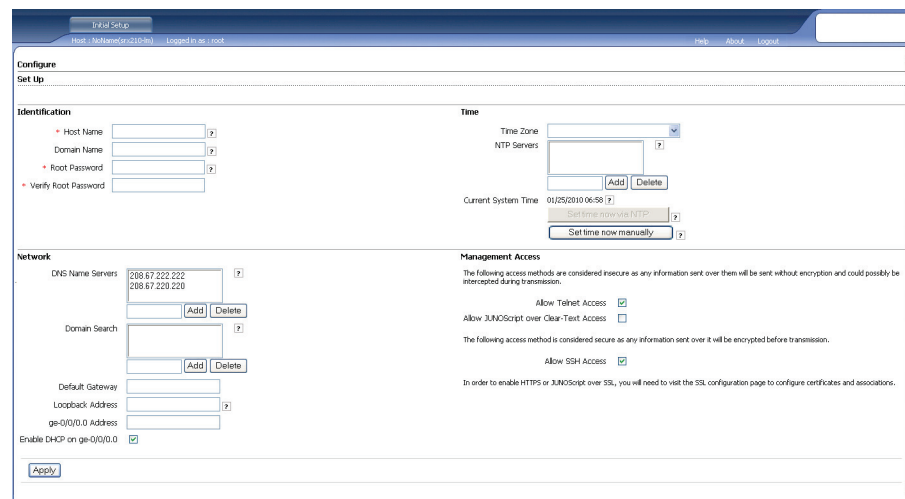
METHODE 2: ABRUFEN EINER STATISCHEN IP-ADRESSE FÜR DAS SERVICES-GATEWAY

Verwenden Sie den Port ge-0/0/0, um eine Verbindung mit dem Internetdienstanbieter (ISP) herzustellen. Sie erhalten vom Internetdienstanbieter eine statische IP-Adresse. Im Rahmen des DHCP-Prozesses erhalten Sie keine IP-Adresse.

Wenn Sie auf diese Art und Weise eine IP-Adresse für das Services-Gateway abrufen, befolgen Sie die Anweisungen in den Teilen 7 bis 10 diesem Dokument.

Teil 7: Zugriff auf die J-Web-Schnittstelle

- Starten Sie auf dem Verwaltungsgerät einen Webbrowser.
- Geben Sie in das URL-Adressfeld **http://192.168.1.1** ein. Die J-Web-Anmeldeseite wird geöffnet.
- Geben Sie den Standardbenutzernamen **root** ein. Geben Sie in das Feld Password keinen Wert ein.
- Klicken Sie auf **Log In**. Die Seite J-Web Initial Setup wird geöffnet.



Teil 8: Konfigurieren der Grundeinstellungen

Konfigurieren Sie die Grundeinstellungen wie Host Name, Domain Name und Root Password für das Services-Gateway.

WICHTIG: Stellen Sie sicher, dass Sie die IP-Adresse und das Root-Kennwort konfiguriert haben, bevor Sie die Konfiguration übernehmen.

HINWEIS: Alle mit einem Sternchen (*) gekennzeichneten Felder sind Pflichtfelder.

Wenn Sie in Teil 6 mithilfe von Methode 2 eine IP-Adresse für das Services-Gateway abgerufen haben, nehmen Sie die folgenden Änderungen in J-Web vor:

- Deaktivieren Sie das Kontrollkästchen **Enable DHCP on ge-0/0/0**.
- Geben Sie die manuelle IP-Adresse, die Sie vom Internetdienstanbieter erhalten haben, in das Adressfeld **ge-0/0/0** ein. Die IP-Adresse muss im Format *a.b.c.d/xx* eingegeben werden, wobei *xx* die Subnetzmaske ist.
- Geben Sie die IP-Adresse des Gateways im Feld für das Default Gateway ein. Die IP-Adresse für das Gateway wird ebenfalls vom Internetdienstanbieter bereitgestellt.
- Geben Sie im Feld **DNS name servers** Servernamen ein. Die Servernamen werden vom Internetdienstanbieter bereitgestellt.
- Übernehmen Sie die Konfiguration.

Teil 9: Übernehmen der Basiskonfiguration

1. Klicken Sie zum Speichern der Basiskonfigurationen auf **Commit**.
2. Klicken Sie auf **Apply**, um die Basiskonfiguration zu übernehmen.

HINWEIS: Wenn Sie Änderungen an der Schnittstellenkonfiguration vornehmen möchten, finden Sie in *Branch SRX Series Services Gateways Golden Configurations* unter <http://www.juniper.net/us/en/local/pdf/app-notes/3500153-en.pdf> entsprechende Informationen.

Teil 10: Überprüfen der Konfiguration

Navigieren Sie zu <http://www.support.dell.com>, um zu überprüfen, ob Sie mit dem Internet verbunden sind. Durch diese Verbindung wird sichergestellt, dass Sie Datenverkehr über das Services-Gateway weiterleiten können.

HINWEIS: Wenn die Seite <http://www.support.dell.com> nicht geladen wird, überprüfen Sie Ihre Konfigurationseinstellungen, und überprüfen Sie, ob die Konfiguration übernommen wurde.

Wenn Sie diese Schritte ausgeführt haben, können Sie Datenverkehr von einem beliebigen trust Port an den untrust Port weiterleiten.

Verbinden und Konfigurieren des J-SRX210-Services-Gateways mit integrierten Konvergenzdiensten

Besitzen Sie ein Modell vom Typ J-SRX210H-P-MGW, befolgen Sie die folgenden Anweisungen, um die Sprachunterstützung für das Media-Gateway zu konfigurieren und mit dem Gerät Anrufe zu tätigen und entgegenzunehmen.

Die folgende Tabelle bietet einen Überblick über die Schritte, die zum Konfigurieren der Sprachunterstützung auf dem Media-Gateway ausgeführt werden müssen.

Schritt	Aufgabe	Schritt	Aufgabe
1	Verbinden der FXO- und FXS-Ports.	7	Konfigurieren des Trunks.
2	Zugriff auf die J-Web-Schnittstelle.	8	Konfigurieren der Trunkgruppen.
3	Konfigurieren der Einschränkungsklasse.	9	Erstellen des Wählplans.
4	Konfigurieren der SIP-Station.	10	Konfigurieren des Media-Gateways.
5	Konfigurieren der analogen Station.	11	Konfigurieren des anpassbaren Anrufservers.
6	Konfigurieren des Peer-Anrufservers.		

Teil 1: Verbinden der FXS- und FXO-Ports

1. Verbinden Sie einen FXS-Port (FXS1 oder FXS2) am Gerät über ein RJ-11-Kabel mit einem analogen Gerät wie einem Telefon, einem Fax oder einem Modem.
2. Verbinden Sie einen FXO-Port (FXO1 oder FXO2) am Gerät über ein RJ-11-Kabel mit den Switches in der Hauptniederlassung (CO) oder mit einem Stationsport in einem öffentlichen Telefonnetz (PSTN).
3. Schließen Sie ein Ethernet-Kabel von einem der PoE-Ports (ge-0/0/0, ge-0/0/1, fe-0/0/2, fe-0/0/3) an das VoIP-Telefon an.

Teil 2: Zugriff auf die J-Web-Schnittstelle

1. Starten Sie auf dem Verwaltungsgerät einen Webbrowser.
2. Melden Sie sich mit den Anmeldeinformationen an, die Sie bei der Erstkonfiguration festgelegt haben (siehe Abschnitt zum Thema „Verbinden und Konfigurieren des J-SRX210-Services Gateways“).
3. Die J-Web-Dashboard-Seite wird geöffnet.

Teil 3: Konfigurieren der Einschränkungsklasse.

Konfigurieren Sie die Einschränkungsklasse, um die Richtlinie für die Angabe von Anruftypberechtigungen zu definieren:

1. Wählen Sie **Configure > Convergence Services > Station > Class of Restriction** aus. Die Seite Class of Restriction Configuration wird angezeigt.
2. Klicken Sie auf **Add**, um eine neue Einschränkungsklasse zu erstellen. Die Seite New Class of Restriction wird angezeigt.
3. Geben Sie den Namen im Feld Class of Restriction ein.
4. Klicken Sie auf **Add**, um der erstellten Einschränkungsklasse eine neue Richtlinie hinzuzufügen. Die Seite New Policy Configuration wird angezeigt.
5. Führen Sie die folgenden Aktionen aus:

Feld	Aktion
Policy Name	Geben Sie hier einen Namen für die Richtlinie an.
Available Call Types	Wählen Sie hier die für Ihre Einstellungen zutreffenden Anruftypen aus.
Permissions	Legen Sie hier für die ausgewählten Anruftypen Berechtigungen (zulassen oder ablehnen) fest.

HINWEIS: Standardmäßig sind nur zweigstelleninterne Anrufe und Notrufe zulässig.

Teil 4: Konfigurieren der SIP-Station

HINWEIS: Bei der Erstkonfiguration des Geräts müssen die Stationsvorlagen nicht konfiguriert werden. Sie können die Standardwerte verwenden.

1. Wählen Sie **Configure > Convergence Services > Station** aus. Die Seite Station Configuration wird angezeigt.
2. Klicken Sie auf **Add**, um die neue Station hinzuzufügen und die folgenden obligatorischen grundlegenden Aktionen auszuführen:

Feld	Aktion
Name	Geben Sie hier einen Namen für die Station an.
Extensions	Geben Sie hier die Nebenstellenummer der Station an.
Class of Restriction	Wählen Sie hier die bereits konfigurierte Einschränkungsklasse aus.
Template Name	Wählen Sie hier die bereits definierte Stationsvorlage aus.

Für die analogen Vorlagen kann eine ähnliche Konfiguration festgelegt werden, damit sie eine gemeinsame Konfiguration verwenden.

Teil 5: Konfigurieren der analogen Station

1. Wählen Sie **Configure > Convergence Services > Station** aus. Die Seite Station Configuration wird angezeigt.
2. Klicken Sie auf **Add**, um die neue Station hinzuzufügen und die folgenden obligatorischen grundlegenden Aktionen auszuführen:

Feld	Aktion
Name	Geben Sie hier einen Namen für die Station an.
Extensions	Geben Sie hier die Nebenstellenummer der Station an.
Class of Restriction	Wählen Sie hier die bereits konfigurierte Einschränkungsklasse aus.

Feld	Aktion
Template Name	Wählen Sie hier die bereits definierte Stationsvorlage aus.
TDM Interface	Geben Sie hier den Typ der zu konfigurierenden TDM-Schnittstelle an (FXO, FXS oder T1).

HINWEIS: Für die einzelnen SIP-Stationen kann eine ähnliche Konfiguration festgelegt werden, damit die Stationen eine gemeinsame Konfiguration verwenden.

Teil 6: Konfigurieren des Peer-Anrufservers

Konfigurieren Sie den Peer-Anrufserver, der das Routing von Anrufen und sämtliche Anrufbehandlungsdienste für das Gerät bereitstellt:

1. Wählen Sie **Configure > Convergence Services > Call Server** aus. Die Seite Peer Call Server Configuration wird angezeigt.
2. Führen Sie die folgenden obligatorischen grundlegenden Aktionen aus:

Feld	Aktion
Name	Geben Sie hier den Namen für den Peer-Anrufserver an.
PSTN Access Number	Geben Sie hier die externe Nummer im öffentlichen Telefonnetz (PSTN) für den anpassbaren Anrufserver an, die für einen direkten Kontakt mit dem öffentlichen Telefonnetz verwendet werden soll.
Address Type	Wählen Sie hier als Adresstyp entweder fqdn oder ipv4-address aus.
FQDN	Geben Sie hier den vollqualifizierten Domännennamen ein.
IP Address	Geben Sie hier die IP-Adresse des Peer-Anrufservers ein.

HINWEIS: Bei der Konfiguration des Peer-Anrufservers:

- Damit sich das Gerät selbst beim Peer-Anrufserver authentifizieren kann, müssen ggf. die ID des Gerätebenutzers und das Kennwort angegeben werden, die vom Administrator des Peer-Anrufservers bereitgestellt wurden.
- Sie können die Standardwerte in den Feldern Port (5060) und Transport (UDP) übernehmen.
- Für die Erstkonfiguration des Geräts muss der Codec nicht angegeben werden. Der standardmäßige Codecsatz wird verwendet. Standardmäßig werden Codecs in der folgenden Reihenfolge angegeben: 711-µ, G711-A, G729AB.

Teil 7: Konfigurieren eines Trunks

Konfigurieren Sie einen Trunk für eine PSTN-Zeitmultiplexing-Schnittstelle (TDH) für öffentliche Telefonnetze (PSTN), der vom Gerät oder dem anpassbaren Anrufserver für das Routen von Anrufen an das Ziel verwendet werden soll.

1. Wählen Sie **Configure > Convergence Services > Gateway > Trunks** aus. Die Seite New Trunk Configuration wird angezeigt.
2. Führen Sie die folgenden Aktionen aus:

Feld	Aktion
Trunk Name	Geben Sie hier einen Namen für den Trunk ein.
Trunk Type	Wählen Sie hier den Trunktyp aus (FXO, FXS oder T1).
TDM Interface	Geben Sie hier den Typ der zu konfigurierenden TDM-Schnittstelle für das Routing von bestimmten Anrufstypen an (FXO, FXS oder T1).

Teil 8: Konfigurieren der Trunkgruppen

Eine Trunkgruppe umfasst mehrere Trunks, die entsprechend der Prioritätsreihenfolge angegeben werden, in der sie zum Routen eines Anrufs ausgewählt werden müssen.

1. Wählen Sie **Configure > Convergence Services > Gateway > Trunk Groups** aus. Die Seite Trunk Group Configuration wird angezeigt.
2. Klicken Sie auf **Add**, um eine neue Trunkgruppe zu erstellen und die folgenden obligatorischen Aktionen auszuführen:

Feld	Aktion
Name	Geben Sie hier einen Namen für die Trunkgruppe an.
Available Trunks	Wählen Sie alle für Ihre Einstellungen zutreffenden Trunks aus.

Teil 9: Erstellen des Wählplans

Erstellen Sie den Wählplan, um dem Peer-Anrufserver das Routing von ausgehenden Anrufen zu ermöglichen, die von SIP-Telefonen bzw. analogen Stationen in der Zweigstelle ins öffentliche Netz (PSTN) gehen:

1. Wählen Sie **Configure > Convergence Services > Dial Plan** aus, und klicken Sie auf **Dial Plan**. Die Seite Dial Plan Configuration wird angezeigt.
2. Klicken Sie auf **Add**, um einen neuen Wählplan zu erstellen. Die Seite New Dial Plan Configuration wird angezeigt.
3. Geben Sie einen Namen im Feld Dial Plan Name ein, und klicken Sie auf **Add**. Die Seite New Route Pattern Configuration wird angezeigt.
4. Führen Sie die folgenden obligatorischen grundlegenden Aktionen aus:

Feld	Aktion
Route Pattern	Geben Sie hier den Namen des Routingmusters an.
Call Type	Wählen Sie hier den Anrufstyp aus. Der Standardtyp ist trunk-call.
Trunk-groups	Wählen Sie hier die vorkonfigurierten Trunkgruppen aus, die in das Routingmuster eingeschlossen werden sollen.

HINWEIS: Sie können die Standardwerte für die Felder Preference und Digit Manipulation übernehmen.

Teil 10: Konfigurieren des Media-Gateways

Konfigurieren Sie das Media-Gateway, um Benutzern sowohl zweigstelleninterne als auch externe Anrufe zu ermöglichen, wenn mit dem Peer-Anrufserver das Routing von Anrufen und andere Anrufbehandlungsdienste ausgeführt werden können:

1. Wählen Sie **Configure > Convergence Services > Media Gateway > Gateway** aus. Die Seite Media Gateway Configuration wird angezeigt.
2. Klicken Sie auf **Add**, und geben Sie die folgenden obligatorischen Einstellungen ein:

Feld	Aktion
Media Gateway	Geben Sie hier den Gerätenamen an.
Call Server	Wählen Sie hier einen Peer-Anrufserver aus, dem Anrufe zugeordnet werden sollen.
Dial Plan	Wählen Sie hier einen vorkonfigurierten Wählplan aus.
Zone	Geben Sie hier den Dienstpunkt für die Gerätezone an, um das Media-Gateway und die anpassbaren Anrufserverdienste für die angegebene Zone zu aktivieren.

HINWEIS: Sie können die Standardwerte in den Feldern Port (5060) und Transport (UDP) übernehmen.

Teil 11: Konfigurieren des anpassbaren Anrufservers

Dieser Server übernimmt die Aufgaben des Peer-Anrufservers, wenn dieser nicht erreichbar ist:

1. Wählen Sie **Configure > Convergence Services > Call Service** aus. Die Seite Survivable Call Service wird angezeigt.
2. Klicken Sie auf **Add**, um eine neue Trunkgruppe zu erstellen und die folgenden obligatorischen grundlegenden Aktionen auszuführen:

Feld	Aktion
Call Service Name	Geben Sie hier den Namen für den Anrufdienst an.
Call Server	Wählen Sie hier den Namen des Peer-Anrufservers aus.
Dial Plan	Wählen Sie hier den vorkonfigurierten Wahlplan aus, der für den anpassbaren Anrufserver verwendet werden soll.
Zone	Geben Sie hier den Namen für die Zone an.

HINWEIS: Alle anderen Parameter, die zur Konfiguration des Anrufdiensts erforderlich sind, sind optional, und Sie können die für diese Parameter festgelegten Standardwerte verwenden.

Ausschalten des Geräts

Das Gerät kann folgendermaßen ausgeschaltet werden:

- Normales Herunterfahren – Drücken Sie die Power-Taste, und lassen Sie sie sofort wieder los. Das Gerät fährt das Betriebssystem auf normale Weise herunter.
- Sofortiges Herunterfahren – Halten Sie die Power-Taste 10 Sekunden lang gedrückt. Das Gerät wird sofort heruntergefahren. Drücken Sie die Power-Taste erneut, um das Gerät einzuschalten.

HINWEIS: Wählen Sie **Maintain > Reboot**, um das System über die J-Web-Schnittstelle neu zu starten oder anzuhalten.

Zusätzliche Konfigurationsinformationen finden Sie in *Branch SRX Series Services Gateways Golden Configurations* unter <http://www.juniper.net/us/en/local/pdf/app-notes/3500153-en.pdf>.

Genauere Softwarekonfigurationsinformationen finden Sie in der Softwaredokumentation unter <http://www.juniper.net/techpubs/software/junos-srx/index.html>.

Dell – Kontakt

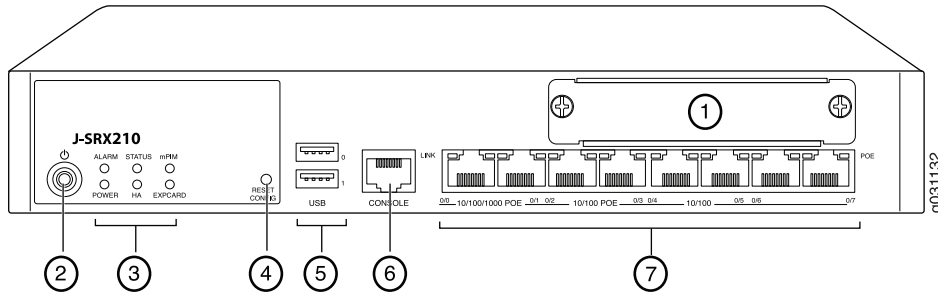
Technischen Support erhalten Sie unter <http://www.support.dell.com>.



Panduan Ringkas Dell PowerConnect J-Series J-SRX210 Services Gateway

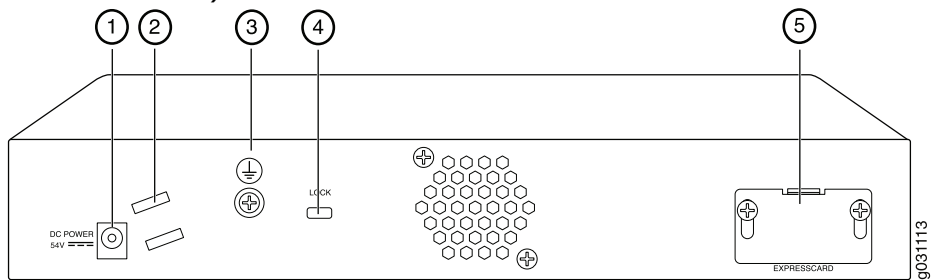
Gunakan petunjuk dalam panduan ringkas ini untuk membantu Anda menyambungkan Dell PowerConnect J-Series J-SRX210 Services Gateway ke jaringan Anda. Untuk perinciannya, lihat *J-SRX210 Services Gateway Hardware Guide* di <http://www.support.dell.com/manuals>. (Nomor model resmi SRX210)

Panel Depan J-SRX210 Services Gateway (J-SRX210B, J-SRX210H, J-SRX210H-POE)



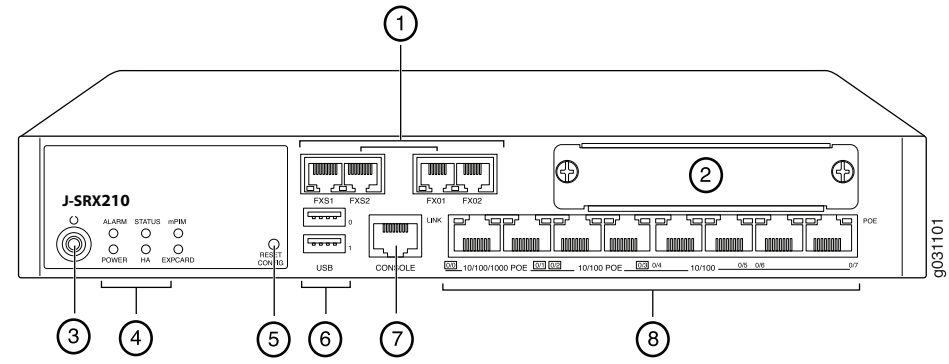
Angka	Keterangan	Angka	Keterangan
1	Slot Mini-PIM	5	Porta USB
2	Tombol Power	6	Porta Console
3	LED (ALARM, POWER, STATUS, HA, mPIM, EXPCARD)	7	Porta Gigabit Ethernet (0/0 dan 0/1) dan Fast Ethernet (0/2 hingga 0/7)
4	Tombol Reset Config		

Panel Belakang J-SRX210 Services Gateway (J-SRX210B, J-SRX210H, J-SRX210H-POE)



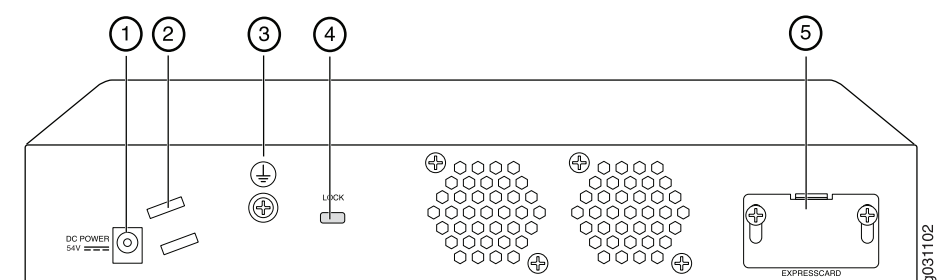
Angka	Keterangan	Angka	Keterangan
1	Unit catu daya	4	Kunci untuk kabel pengaman
2	Penahan untuk menggulung kabel	5	Slot ExpressCard
3	Titik pentanahan		

Panel Depan J-SRX210 Services Gateway dengan Layanan Konvergensi Terpadu (J-SRX210H-P-MGW)



Angka	Keterangan	Angka	Keterangan
1	Porta suara FXS dan FXO	5	Tombol Reset Config
2	Slot Mini-PIM	6	Porta USB
3	Tombol Power	7	Porta Console
4	LED (ALARM, POWER, STATUS, HA, mPIM, EXPCARD)	8	Porta Gigabit Ethernet (0/0 dan 0/1) dan Fast Ethernet (0/2 hingga 0/7)

Panel Belakang J-SRX210 Services Gateway dengan Layanan Konvergensi Terpadu (J-SRX210H-P-MGW)



Angka	Keterangan	Angka	Keterangan
1	Unit catu daya	4	Kunci untuk kabel pengaman
2	Penahan untuk menggulung kabel	5	Slot ExpressCard
3	Titik pentanahan		



530-036269 REV 01

Model J-SRX210 Services Gateway

Tersedia empat model J-SRX210 Services Gateway berikut ini:

Perangkat	Memori DDR	Power lewat Ethernet	Fasilitas Suara
J-SRX210B	512 MB	Tidak	Tidak
J-SRX210H	1 GB	Tidak	Tidak
J-SRX210H-POE	1 GB	Ya	Tidak
J-SRX210H-P-MGW	1 GB	Ya	Ya

CATATAN: Pada model J-SRX210H-PoE dan J-SRX210H-P-MGW, PoE (Power lewat Ethernet) sebesar 50 watt didukung pada 4 porta (ge-0/0/0, ge-0/0/1, fe-0/0/2, dan fe-0/0/3).

Menyambung dan Mengonfigurasi J-SRX210 Services Gateway

Gunakan petunjuk di bawah ini untuk menyambung dan menyiapkan semua model J-SRX210 Services Gateway untuk melindungi jaringan Anda. Lihat lampu LED di panel depan perangkat untuk membantu Anda menentukan status perangkat.

Bagian 1: Menyambungkan Gateway Layanan ke Ground Pentanahan

1. Gunakan kabel pentanahan—14 AWG satu kabel, 4 A—dengan lug tipe cincin, dengan isolasi vinyl TV14-6R atau yang setara yang dipasang oleh teknisi listrik berlisensi.
2. Sambungkan kabel pentanahan ke pasak pentanahan yang memadai.
3. Pasang lug kabel pentanahan pada titik ground di bagian atas belakang sasis, lalu kencangkan lug dengan satu sekrup 6-32 UNC.

Bagian 2: Menyambungkan Kabel Power ke Perangkat

Sambungkan kabel power ke perangkat dan sumber power. Sebaiknya gunakan pelindung lonjakan arus. Perhatikan tanda-tanda berikut:

- LED POWER (hijau): Perangkat menerima power.
- LED STATUS (hijau): Perangkat beroperasi secara normal.
- LED ALARM (kuning tua): Perangkat beroperasi secara normal, dan mungkin berkedip kuning tua apabila konfigurasi darurat belum diatur. Ini bukanlah kondisi yang perlu dicemaskan.
- LED mPIM (mati): Mini-PIM (Mini-Physical Interface Module) tidak ada atau tidak terdeteksi oleh perangkat. Jika LED berwarna hijau dan menyala terus, ini menandakan Mini-PIM berfungsi secara normal.

CATATAN: Setelah konfigurasi darurat diatur, LED ALARM kuning tua menunjukkan adanya masalah kecil, dan LED ALARM merah pekat menunjukkan ada masalah besar pada gateway layanan.

CATATAN: Setelah dinyalakan, tunggu 5 hingga 7 menit selama perangkat melakukan booting. Tunggu sampai LED STATUS berwarna hijau pekat sebelum melanjutkan ke bagian berikutnya.

Bagian 3: Menyambungkan Perangkat Manajemen

Sambungkan perangkat manajemen ke gateway layanan menggunakan salah satu metode berikut:

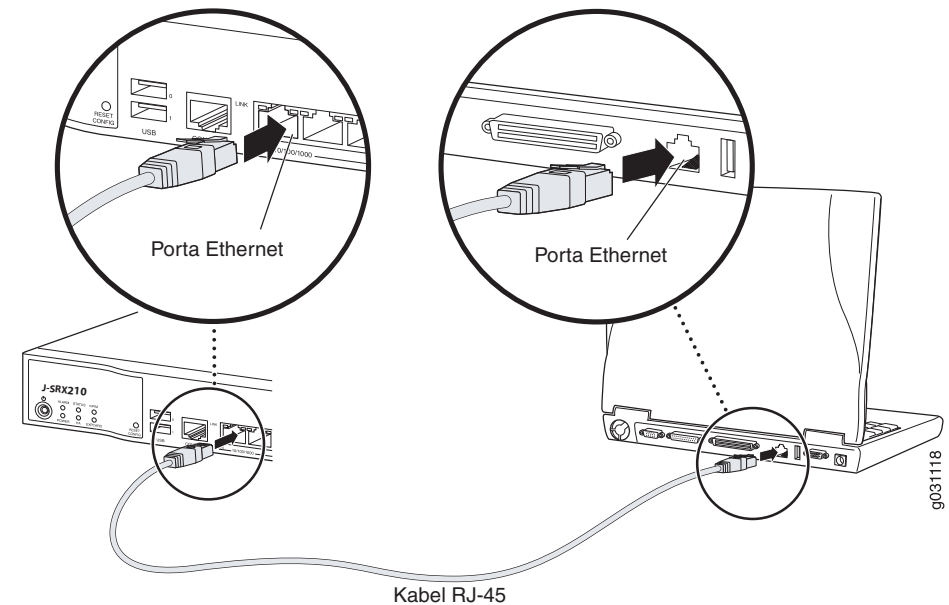
- Sambungkan kabel RJ-45 (kabel Ethernet) dari salah satu porta di panel depan berikut ini ke porta Ethernet pada perangkat manajemen (workstation atau laptop):
 - ge-0/0/1
 - fe-0/0/2 hingga fe-0/0/7

Kami menganjurkan metode penyambungan ini. Jika Anda menggunakan metode penyambungan ini, lanjutkan ke Bagian 4.

- Sambungkan kabel RJ-45 (kabel Ethernet) dari porta berlabel CONSOLE ke adaptor DB-9 yang tersedia, yang kemudian menyambung ke porta serial pada perangkat manajemen. (Pengaturan porta serial: **9600 8-N-1**.)

Jika Anda menggunakan metode penyambungan ini, lanjutkan dengan petunjuk konfigurasi CLI yang tersedia dalam *Branch SRX Series Services Gateways Golden Configurations* di <http://www.juniper.net/us/en/local/pdf/app-notes/3500153-en.pdf>.

Lihat ilustrasi di bawah ini untuk perincian tentang menyambungkan antarmuka manajemen.



Bagian 4: Memahami Pengaturan Konfigurasi Default

J-SRX210 Services Gateway adalah perangkat routing yang aman dan membutuhkan konfigurasi dasar berikut ini agar dapat berfungsi dengan benar:

- Antarmuka harus diberi alamat IP.
- Antarmuka harus terikat ke zona.
- Policy harus dikonfigurasi pada berbagai zona untuk mengizinkan/menolak trafik.
- Aturan NAT sumber harus dibuat.

Perangkat mempunyai konfigurasi default berikut ini yang ditetapkan ketika Anda menyalakannya untuk pertama kali. Agar dapat menggunakan perangkat ini, Anda tidak perlu melakukan konfigurasi awal apa pun.

PENGATURAN DEFAULT PABRIK UNTUK ANTARMUKA

Label Porta	Antarmuka	Zona Keamanan	Status DHCP	Alamat IP
0/0	ge-0/0/0	untrust	client	tidak ditetapkan
0/1 dan 0/2 hingga 0/7	ge-0/0/1 dan fe-0/0/2 hingga fe-0/0/7	trust	server	192.168.1.1/24

PENGATURAN DEFAULT PABRIK UNTUK POLICY KEAMANAN

Zona Sumber	Zona Tujuan	Tindakan Policy
trust	untrust	izinkan
trust	trust	izinkan
untrust	trust	tolak

PENGATURAN DEFAULT PABRIK UNTUK ATURAN NAT

Zona Sumber	Zona Tujuan	Tindakan Policy
trust	untrust	antarmuka NAT sumber ke zona untrust

Bagian 5: Memastikan bahwa Perangkat Manajemen Mendapatkan Alamat IP

Setelah menyambungkan perangkat manajemen ke gateway layanan, proses server DHCP pada gateway layanan secara otomatis akan menetapkan alamat IP bagi perangkat manajemen tersebut. Pastikan perangkat manajemen mendapatkan alamat IP pada subjaringan **192.168.1/24** (selain **192.168.1.1**) dari perangkat tersebut.

CATATAN:

- Gateway layanan berfungsi sebagai server DHCP dan akan menetapkan alamat IP bagi perangkat manajemen.
- Jika alamat IP tidak ditetapkan bagi perangkat manajemen, lakukan konfigurasi alamat IP secara manual di subjaringan **192.168.1.0/24**. Jangan menetapkan alamat IP **192.168.1.1** bagi perangkat manajemen, karena alamat IP itu sudah ditetapkan untuk perangkat ini. Secara default, server DHCP diaktifkan pada antarmuka L3 VLAN, (IRB) vlan.0 (ge-0/0/1 dan fe-0/0/2 hingga fe-0/0/7), yang dikonfigurasi dengan alamat IP **192.168.1.1/24**.
- Ketika dinyalakan pertama kali, J-SRX210 Series Services Gateway akan booting dengan menggunakan konfigurasi default pabrik.

Bagian 6: Memastikan bahwa Alamat IP Ditetapkan bagi Gateway Layanan

Gunakan salah satu metode berikut untuk mendapatkan alamat IP pada gateway layanan:

METODE 1: MENDAPATKAN ALAMAT IP DINAMIS PADA GATEWAY LAYANAN ANDA

Gunakan porta ge-0/0/0 untuk menyambung ke ISP (Penyedia Layanan Internet) Anda. ISP Anda akan menetapkan alamat IP dengan menggunakan proses DHCP.

Jika Anda menggunakan metode ini untuk mendapatkan alamat IP pada gateway layanan Anda, lanjutkan dengan langkah-langkah dari Bagian 7 hingga Bagian 10 dalam dokumen ini untuk mengonfigurasi perangkat Anda dan untuk meneruskan trafik.

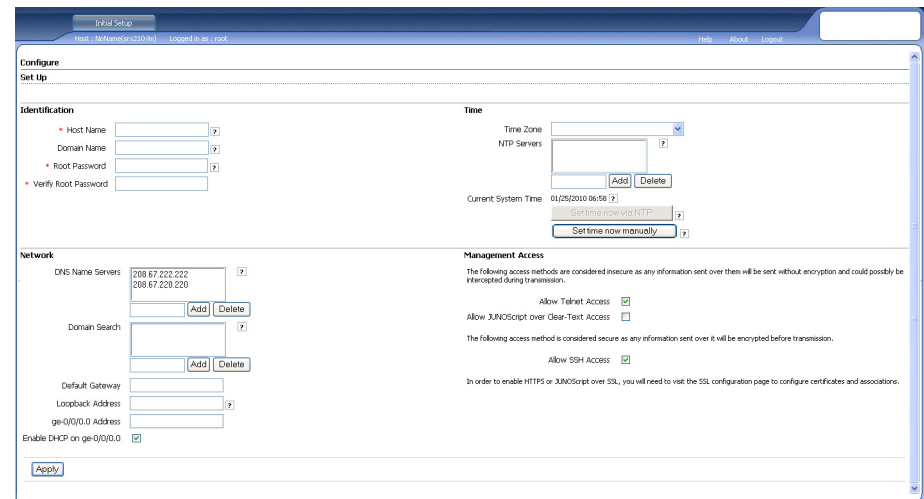
METODE 2: MENDAPATKAN ALAMAT IP STATIS PADA GATEWAY LAYANAN ANDA

Gunakan porta ge-0/0/0 untuk menyambung ke ISP Anda. ISP Anda akan menyediakan alamat IP statis. Anda tidak akan menerima alamat IP dengan menggunakan proses DHCP.

Jika Anda menggunakan metode ini untuk mendapatkan alamat IP pada gateway layanan Anda, ikuti petunjuk dari Bagian 7 hingga Bagian 10 dalam dokumen ini.

Bagian 7: Mengakses Antarmuka J-Web

- Luncurkan browser Web pada perangkat manajemen.
- Masukkan **http://192.168.1.1** di bidang alamat URL. Halaman login J-Web akan ditampilkan.
- Tetapkan **root** sebagai nama pengguna default. Jangan masukkan apa pun dalam bidang Password.
- Klik **Log In**. Halaman J-Web Initial Setup akan ditampilkan.



Bagian 8: Mengonfigurasi Pengaturan Dasar

Buat konfigurasi pengaturan dasar, seperti Host Name, Domain Name, dan Root Password untuk gateway layanan Anda.

PENTING: Pastikan Anda sudah mengonfigurasi alamat IP dan password root sebelum menerapkan konfigurasi tersebut.

CATATAN: Semua bidang yang diberi tanda bintang (*) wajib diisi.

Jika Anda sudah menggunakan Metode 2 di Bagian 6 untuk mendapatkan alamat IP pada gateway layanan Anda, pastikan Anda melakukan modifikasi J-Web berikut ini:

- Jangan centang kotak cek **Enable DHCP on ge-0/0/0.0**.
- Masukkan secara manual alamat IP yang disediakan oleh ISP Anda di bidang **ge-0/0/0.0** address. Alamat IP harus dimasukkan dalam format *a.b.c.d/xx*, di mana *xx* adalah subnet mask.
- Masukkan alamat IP gateway di bidang Default Gateway. Alamat IP untuk gateway juga disediakan oleh ISP.
- Masukkan nama server di bidang **DNS name servers**. Nama server akan disediakan oleh ISP Anda.
- Terapkan konfigurasi tersebut.

Bagian 9: Menerapkan Konfigurasi Dasar

1. Klik **Commit** untuk menyimpan konfigurasi dasar.
2. Klik **Apply** untuk menerapkan konfigurasi dasar.

CATATAN: Untuk mengubah konfigurasi antarmuka, lihat *Branch SRX Series Services Gateways Golden Configurations* di <http://www.juniper.net/us/en/local/pdf/app-notes/3500153-en.pdf>.

Bagian 10: Memverifikasi Konfigurasi

Kunjungi <http://www.support.dell.com> untuk memastikan bahwa Anda sudah tersambung ke internet. Konektivitas ini akan memastikan bahwa Anda dapat meneruskan trafik melalui gateway layanan.

CATATAN: Jika halaman <http://www.support.dell.com> tidak dapat dimuat, periksa pengaturan konfigurasi Anda, dan pastikan bahwa Anda sudah menggunakan konfigurasi tersebut.

Setelah menyelesaikan langkah ini, Anda dapat meneruskan trafik dari porta trust ke porta untrust.

Menyambung dan Mengonfigurasi J-SRX210 Services Gateway dengan Layanan Konvergensi Terpadu

Jika Anda memiliki model J-SRX210H-P-MGW, gunakan petunjuk di bawah ini untuk mengonfigurasi dukungan suara pada gateway media dan mempersiapkan penggunaan perangkat Anda untuk membuat dan menerima panggilan.

Tabel berikut ini menyediakan ikhtisar langkah-langkah yang harus Anda ikuti untuk mengonfigurasi dukungan suara pada gateway media.

Langkah	Tugas	Langkah	Tugas
1	Menyambungkan porta FXO dan FXS.	7	Mengonfigurasi trunk.
2	Mengakses antarmuka J-Web.	8	Mengonfigurasi grup trunk.
3	Mengonfigurasi kelas pembatasan.	9	Memuat dial plan.
4	Mengonfigurasi stasiun SIP.	10	Mengonfigurasi gateway media.
5	Mengonfigurasi stasiun analog.	11	Mengonfigurasi survivable call server.
6	Mengonfigurasi peer call server.		

Bagian 1: Menyambungkan porta FXO dan FXS

1. Sambungkan porta FXS (FXS1 atau FXS2) pada perangkat ke perangkat analog seperti telepon, faks, atau modem melalui kabel RJ-11.
2. Sambungkan porta FXO (FXO1 atau FXO2) pada perangkat ke switch kantor pusat (CO) atau ke porta stasiun pada PSTN melalui kabel RJ-11.
3. Sambungkan kabel Ethernet dari porta PoE (ge-0/0/0, ge-0/0/1, fe-0/0/2, fe-0/0/3) ke telepon VoIP.

Bagian 2: Mengakses Antarmuka J-Web

1. Luncurkan browser Web dari perangkat manajemen.
2. Login dengan menggunakan identitas Anda yang dibuat saat konfigurasi awal seperti dijelaskan di bagian "Menyambung dan Mengonfigurasi J-SRX210 Services Gateway."
3. Halaman J-Web Dashboard akan ditampilkan.

Bagian 3: Mengonfigurasi Kelas Pembatasan

Konfigurasi kelas pembatasan untuk menetapkan policy yang dikhususkan untuk menentukan izin jenis panggilan:

1. Pilih **Configure > Convergence Services > Station > Class of Restriction**. Halaman Class of Restriction Configuration akan ditampilkan.
2. Klik **Add** untuk membuat kelas pembatasan baru. Halaman New Class of Restriction akan ditampilkan.
3. Masukkan nama di bidang Class of Restriction.
4. Klik **Add** untuk menambahkan policy baru ke kelas pembatasan yang sedang Anda buat. Halaman New Policy Configuration akan ditampilkan.
5. Lakukan tindakan-tindakan berikut:

Bidang	Tindakan
Policy Name	Tetapkan nama policy.
Available Call Types	Pilih jenis panggilan yang tersedia bagi pengaturan Anda.
Permissions	Tetapkan izin (izinkan atau tolak) pada jenis panggilan yang dipilih.

CATATAN: Secara default, yang diizinkan hanya panggilan dalam-cabang dan panggilan darurat.

Bagian 4: Mengonfigurasi Stasiun SIP

CATATAN: Untuk konfigurasi awal perangkat, Anda tidak perlu mengonfigurasi template stasiun. Anda dapat menggunakan nilai default.

1. Pilih **Configure > Convergence Services > Station**. Halaman Station Configuration akan ditampilkan.
2. Klik **Add** untuk menambahkan stasiun baru dan melakukan tindakan dasar wajib berikut ini:

Bidang	Tindakan
Name	Tetapkan nama stasiun.
Extensions	Masukkan nomor ekstensi stasiun.
Class of Restriction	Pilih kelas pembatasan yang telah dikonfigurasi.
Template Name	Pilih template stasiun yang sudah ditetapkan.

Anda dapat menyeragamkan template analog sehingga dapat berbagi konfigurasi yang sama.

Bagian 5: Mengonfigurasi Stasiun Analog

1. Pilih **Configure > Convergence Services > Station**. Halaman Station Configuration akan ditampilkan.
2. Klik **Add** untuk menambahkan stasiun baru dan melakukan tindakan dasar wajib berikut ini:

Bidang	Tindakan
Name	Tetapkan nama stasiun.
Extensions	Masukkan nomor ekstensi stasiun.
Class of Restriction	Pilih kelas pembatasan yang telah dikonfigurasi.

Bidang	Tindakan
Template Name	Pilih template stasiun yang sudah ditetapkan.
TDM Interface	Tetapkan jenis antarmuka TDM yang akan dikonfigurasi (FXO, FXS, atau T1).

CATATAN: Anda dapat menyeragamkan setiap stasiun SIP sehingga dapat berbagi konfigurasi yang sama.

Bagian 6: Mengonfigurasi Peer Call Server

Konfigurasi peer call server yang menyediakan layanan pengaturan rute panggilan dan penanganan panggilan untuk perangkat:

- Pilih **Configure > Convergence Services > Call Server**. Halaman Peer Call Server Configuration akan ditampilkan.
- Lakukan tindakan-tindakan dasar wajib berikut:

Bidang	Tindakan
Name	Tetapkan nama untuk peer call server.
PSTN Access Number	Tetapkan nomor PSTN eksternal untuk survivable call server yang akan digunakan jika harus langsung menghubungi PSTN.
Address Type	Pilih jenis alamat apakah fqdn atau ipv4-address .
FQDN	Masukkan fully qualified domain name.
Address IP	Masukkan alamat IP peer call server.

CATATAN: Ketika mengonfigurasi peer call server:

- Agar perangkat dapat mengotentikasi dirinya dengan peer call server, Anda mungkin perlu menyediakan ID pengguna dan sandi perangkat yang diberikan oleh administrator peer call server.
- Anda dapat menggunakan nilai default dalam bidang Port (5060) dan Transport (UDP).
- Untuk konfigurasi awal perangkat, Anda tidak perlu menetapkan codec. Yang digunakan adalah serangkaian codec default. Secara default, codec ditetapkan dalam urutan berikut: 711- μ , G711-A, G729AB.

Bagian 7: Mengonfigurasi Trunk

Buat konfigurasi trunk untuk antarmuka TDM (pemultipleksan pembagian waktu) PSTN yang akan digunakan oleh perangkat atau survivable call server untuk merutekan panggilan ke tujuan.

- Pilih **Configure > Convergence Services > Gateway > Trunks**. Halaman New Trunk Configuration akan ditampilkan.
- Lakukan tindakan-tindakan berikut:

Bidang	Tindakan
Trunk Name	Masukkan nama trunk.
Trunk Type	Pilih jenis trunk (FXO, FXS, atau T1).
TDM Interface	Pilih jenis antarmuka TDM yang akan dikonfigurasi (FXO, FXS, atau T1) untuk merutekan jenis panggilan tertentu.

Bagian 8: Mengonfigurasi Grup Trunk

Satu grup trunk terdiri dari beberapa trunk yang ditetapkan sesuai urutan pemilihannya untuk merutekan panggilan.

- Pilih **Configure > Convergence Services > Gateway > Trunk Groups**. Halaman Trunk Group Configuration akan ditampilkan.
- Klik **Add** untuk membuat grup trunk baru dan lakukan tindakan wajib berikut ini:

Bidang	Tindakan
Name	Tetapkan nama grup trunk.
Available Trunks	Pilih trunk yang dapat digunakan bagi pengaturan Anda.

Bagian 9: Membuat Dial Plan

Buat dial plan agar peer call server dapat merutekan panggilan keluar dari telepon SIP/stasiun analog di cabang ke PSTN:

- Pilih **Configure > Convergence Services > Dial Plan** lalu klik **Dial Plan**. Halaman Dial Plan Configuration akan ditampilkan.
- Klik **Add** untuk membuat dial plan baru. Halaman New Dial Plan Configuration akan ditampilkan.
- Masukkan nama di bidang Dial Plan Name lalu klik **Add**. Halaman New Route Pattern Configuration akan ditampilkan.
- Lakukan tindakan-tindakan dasar wajib berikut:

Bidang	Tindakan
Route Pattern	Tetapkan nama untuk pola rute.
Call Type	Pilih jenis panggilan. Jenis default adalah trunk-call.
Trunk-groups	Pilih grup trunk yang sudah disiapkan untuk dimasukkan dalam pola rute.

CATATAN: Anda dapat menggunakan nilai default dalam bidang Preference dan Digit Manipulation.

Bagian 10: Mengonfigurasi Gateway Media

Konfigurasi gateway media agar pengguna dapat membuat panggilan di dalam satu cabang dan ke luar ketika peer call server dapat diakses untuk menyediakan layanan pengaturan rute panggilan dan penanganan panggilan lainnya:

- Pilih **Configure > Convergence Services > Media Gateway > Gateway**. Halaman Media Gateway Configuration akan ditampilkan.
- Klik **Add** lalu masukkan pengaturan wajib berikut ini:

Bidang	Tindakan
Media Gateway	Tetapkan nama perangkat.
Call Server	Pilih peer call yang akan dihubungkan.
Dial Plan	Pilih dial plan yang sudah disiapkan.
Zone	Tetapkan titik layanan untuk zona perangkat agar gateway media dan layanan survivable call server dapat diaktifkan untuk zona tersebut.

CATATAN: Anda dapat menggunakan nilai default dalam bidang Port (5060) dan Transport (UDP).

Bagian 11: Mengonfigurasi Survivable Call Server

Server ini akan bertanggung jawab atas peer call server ketika peer call server tidak dapat dijangkau:

1. Pilih **Configure > Convergence Services > Call Service**. Halaman Survivable Call Service akan ditampilkan.
2. Klik **Add** untuk membuat layanan panggilan baru dan lakukan tindakan dasar yang wajib berikut ini:

Bidang	Tindakan
Call Service Name	Tetapkan nama untuk server panggilan.
Call Server	Pilih nama peer call server.
Dial Plan	Pilih dial plan yang sudah disiapkan untuk digunakan dalam survivable call server.
Zone	Tetapkan nama untuk zona tersebut.

CATATAN: Semua parameter lain yang diperlukan untuk mengonfigurasi layanan panggilan bersifat opsional dan Anda dapat menggunakan nilai default yang ditetapkan untuk parameter-parameter tersebut.

Mematikan Perangkat

Anda dapat mematikan perangkat dengan salah satu cara berikut ini:

- Cara lambat—Tekan lalu segera lepaskan tombol Power. Perangkat akan mematikan sistem operasi secara lembut.
- Cara cepat—Tekan terus tombol Power selama 10 detik. Perangkat akan langsung dimatikan. Tekan lagi tombol Power untuk menyalakan perangkat.

CATATAN: Anda dapat booting ulang atau menghentikan sistem dalam antarmuka J-Web dengan memilih **Maintain > Reboot**.

Untuk informasi tambahan tentang konfigurasi, lihat *Branch SRX Series Services Gateways Golden Configurations* di <http://www.juniper.net/us/en/local/pdf/app-notes/3500153-en.pdf>.

Untuk perincian informasi konfigurasi perangkat lunak, lihat dokumentasi perangkat lunak yang tersedia di <http://www.juniper.net/techpubs/software/junos-srx/index.html>.

Menghubungi Dell

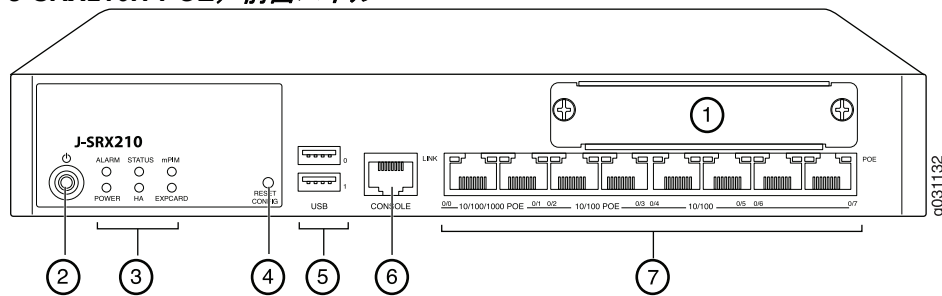
Untuk dukungan teknis, lihat <http://www.support.dell.com>.



Dell PowerConnect J シリーズ J-SRX210 サービス ゲートウェイ クイック スタート

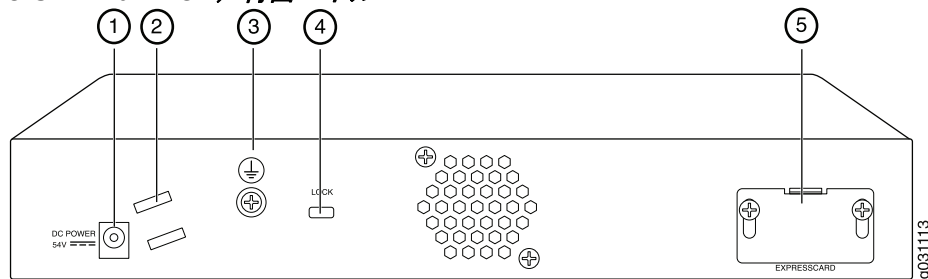
このクイック スタート ガイドは、Dell PowerConnect J シリーズ J-SRX210 サービス ゲートウェイをネットワークに接続する際に参考にしてください。詳細は、<http://www.support.dell.com/manuals> の J-SRX210 Services Gateway Hardware Guide をご覧ください。(規定モデル番号 SRX210)

J-SRX210 サービス ゲートウェイ (J-SRX210B、J-SRX210H、J-SRX210H-POE) 前面パネル



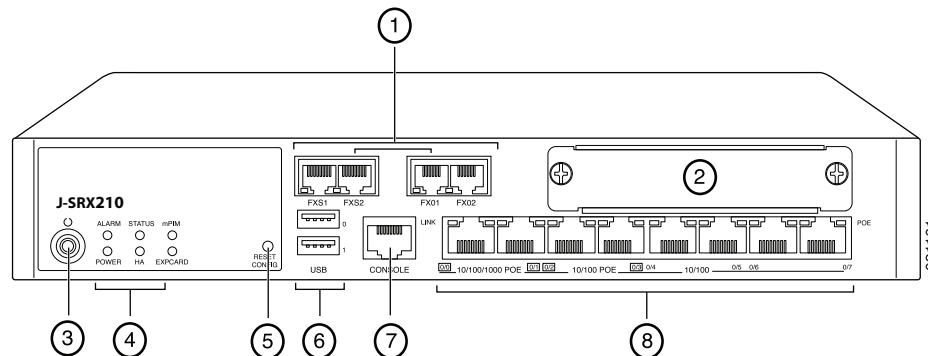
番号	説明	番号	説明
1	Mini-PIM スロット	5	USB ポート
2	Power ボタン	6	コンソール ポート
3	LED (ALARM、POWER、STATUS、HA、mPIM、EXPCARD)	7	ギガビットイーサネット (0/0 と 0/1) ポートおよびファストイーサネット (0/2 ~ 0/7) ポート
4	Reset Config ボタン		

J-SRX210 サービス ゲートウェイ (J-SRX210B、J-SRX210H、J-SRX210H-POE) 背面パネル



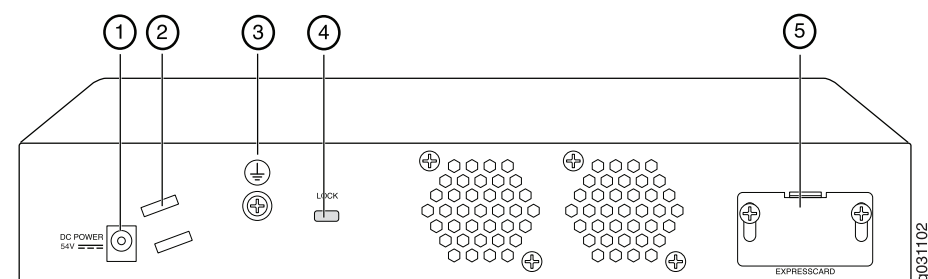
番号	説明	番号	説明
1	電源入力	4	セキュリティ ケーブル用ロック
2	ケーブル タイ ホルダー	5	ExpressCard スロット
3	接地ポイント		

J-SRX210 サービス ゲートウェイ、統合コンバージェンス サービス付き (J-SRX210H-P-MGW) 前面パネル



番号	説明	番号	説明
1	FXS および FXO 音声ポート	5	Reset Config ボタン
2	Mini-PIM スロット	6	USB ポート
3	Power ボタン	7	コンソール ポート
4	LED (ALARM、POWER、STATUS、HA、mPIM、EXPCARD)	8	ギガビットイーサネット (0/0 と 0/1) ポートおよびファストイーサネット (0/2 ~ 0/7) ポート

J-SRX210 サービス ゲートウェイ、統合コンバージェンス サービス付き (J-SRX210H-P-MGW) 背面パネル



番号	説明	番号	説明
1	電源入力	4	セキュリティ ケーブル用ロック
2	ケーブル タイ ホルダー	5	ExpressCard スロット
3	接地ポイント		



J-SRX210 サービス ゲートウェイ モデル

J-SRX210 サービス ゲートウェイには、次のモデルがあります。

デバイス	DDR メモリ	パワー オーバー イー サネット	音声サポート
J-SRX210B	512 MB	なし	なし
J-SRX210H	1 GB	なし	なし
J-SRX210H-POE	1 GB	あり	なし
J-SRX210H-P-MGW	1 GB	あり	あり

注：J-SRX210H-POE および J-SRX210H-P-MGW モデルでは、50 ワットのパワー オーバー イーサネット (PoE) が、4 つのポート (ge-0/0/0、ge-0/0/1、fe-0/0/2、fe-0/0/3) でサポートされます。

J-SRX210 サービス ゲートウェイの接続および構成

下の手順を使用して、J-SRX210 サービス ゲートウェイの各モデルを接続、セットアップし、ネットワークを保護してください。デバイスのステータスを判断するには、本装置のフロントパネルにある LED を参照してください。

パート 1: サービス ゲートウェイをアースに接続します。

- 14 AWG シングル ストランド、4A で丸形、ビニール絶縁 TV14-6R ラグまたは認定電気技師により付けられたラグ相当品の接地ケーブルを用意してください。
- 適切なアースに接地ケーブルを接続します。
- シャーシ背面上部にある接地ポイントに接地ケーブル ラグを置き、1 本の 6-32 UNC ねじで固定します。

パート 2: 電源ケーブルを本装置に接続

電源ケーブルを本装置および電源に接続します。サージ プロテクタの使用を推奨します。次の表示に注意してください。

- POWER LED (緑)：本装置に電力が供給されています。
- STATUS LED (緑)：本装置が正常に機能しています。
- ALARM LED (黄)：本装置は正常に動作しています。レスキュー構成が設定されていないので黄色に点灯している可能性があります。これは急を要する状況ではありません。
- mPIM LED (消灯)：Mini-Physical Interface Module (Mini-PIM) が存在しないか、デバイスによって検出されていません。この LED が緑色に点灯したままの場合、Mini-PIM は正常に機能しています。

注：レスキュー構成が設定された後、黄色の ALARM LED は軽度のアラームを示します。また、赤色に点灯した ALARM LED は、深刻な問題がサービス ゲートウェイに存在することを示します。

注：本装置に電源を投入した後、起動するのに 5～7 分かかります。STATUS LED が緑色に点灯してから、次のパートへ進んでください。

パート 3: 管理デバイスを接続

次のどちらかの方法を使用して、サービス ゲートウェイに管理デバイスを接続します。

- RJ-45 ケーブル (イーサネット ケーブル) を、前面パネルの次のポートの 1 つから管理デバイス (ワークステーションまたはラップトップ) のイーサネット ポートへ接続します。
 - ge-0/0/1
 - fe-0/0/2 ~ fe-0/0/7

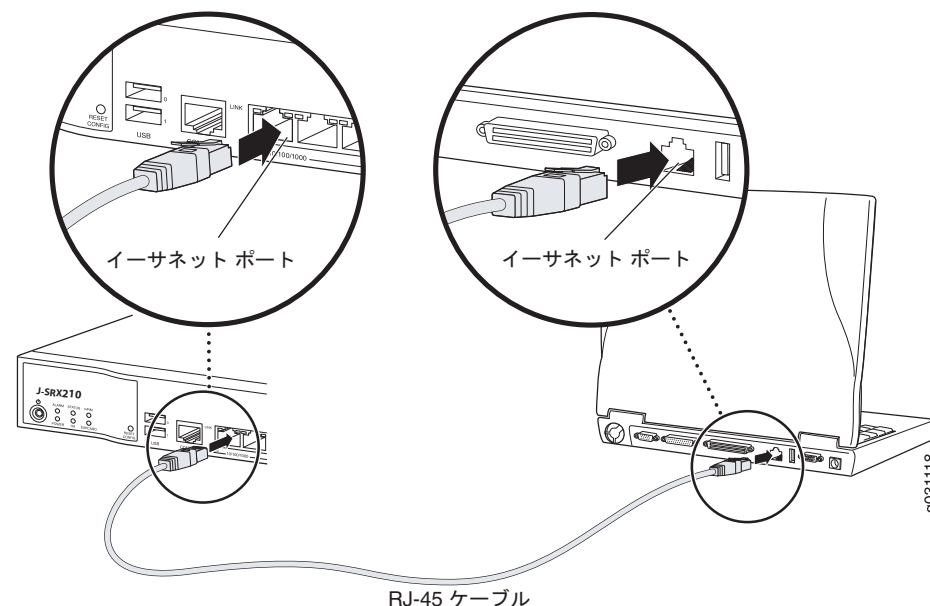
この接続方法を推奨しています。この方法を使用して接続する場合は、パート 4 へ進んでください。

- RJ-45 ケーブル (イーサネット ケーブル) を、CONSOLE というラベルの付いたポートから付属の DB-9 アダプタに接続し、アダプタを管理デバイスのシリアルポートに接続します。(シリアルポートの設定 :9600 8-N-1)

この方法を使用して接続する場合、

<http://www.juniper.net/us/en/local/pdf/app-notes/3500153-en.pdf> の *Branch SRX Series Services Gateways Golden Configurations* に記載された CLI 構成手順へ進んでください。

管理インターフェースの接続に関する詳細については、下の図を参照してください。



パート 4: デフォルトの構成設定を理解

J-SRX210 サービス ゲートウェイは、適切に機能するには次の基本構成設定を必要とする、安全なルーティング デバイスです。

- インターフェースに IP アドレスを割り当てる必要があります。
- インターフェースはゾーンにバインドする必要があります。
- トラフィックを許可または拒否するために、ゾーン間でポリシーを構成する必要があります。
- ソース NAT ルールを設定する必要があります。

初めて電源を投入したとき、本装置には次のデフォルト構成設定が行われています。本装置を使用可能にするために初期設定を行う必要はありません。

インターフェースの工場出荷時の設定

ポート ラベル	インターフェース	セキュリティゾーン	DHCP 状態	IP アドレス
0/0	ge-0/0/0	untrust	クライアント	未割り当て
0/1 および 0/2 ~ 0/7	ge-0/0/1 および fe-0/0/2 ~ fe-0/0/7	trust	サーバー	192.168.1.1/24

セキュリティ ポリシーの工場出荷時の設定

ソース ゾーン	宛先ゾーン	ポリシー アクション
trust	untrust	許可
trust	trust	許可
untrust	trust	拒否

NAT ルールの工場出荷時の設定

ソース ゾーン	宛先ゾーン	ポリシー アクション
trust	untrust	ソース NAT から untrust ゾーン インターフェース

パート 5: 管理デバイスが IP アドレスを取得することを確認

サービス ゲートウェイに管理デバイスを接続した後、サービス ゲートウェイの DHCP サーバー プロセスは、管理デバイスに IP アドレスを自動的に割り当てます。管理デバイスが、**192.168.1/24** サブネットワーク上の IP アドレス (**192.168.1.1** 以外) をデバイスから取得していることを確認してください。

注:

- サービス ゲートウェイは、DHCP サーバーとして機能し、管理デバイスに IP アドレスを割り当てます。
- IP アドレスが管理デバイスに割り当てられていない場合は、**192.168.1.0/24** サブネットワークの IP アドレスを手動で構成してください。**192.168.1.1** IP アドレスを管理デバイスに割り当てないでください。この IP アドレスがデバイスに割り当てられています。デフォルトでは、DHCP サーバーは、L3 VLAN インターフェース (IRB) vlan.0 (ge-0/0/1 および fe-0/0/2 ~ fe-0/0/7) 上で有効であり、IP アドレス **192.168.1.1/24** で構成されています。
- J-SRX210 サービス ゲートウェイに初めて電源を入れると、工場出荷時のデフォルト構成を使用して起動します。

パート 6: IP アドレスがサービス ゲートウェイに割り当てられていることを確認

次の方法の 1 つを使用して、サービス ゲートウェイの IP アドレスを取得します。

方法 1: サービス ゲートウェイの動的 IP アドレスを取得

ge-0/0/0 ポートを使用して、ご利用のインターネット サービス プロバイダ (ISP) に接続します。ISP は、DHCP プロセスを使用して IP アドレスを割り当てます。

この方法を使用して、サービス ゲートウェイの IP アドレスを取得する場合、このガイドのパート 7 ~ 10 の手順に進み、本装置を構成しトラフィックを通過させます。

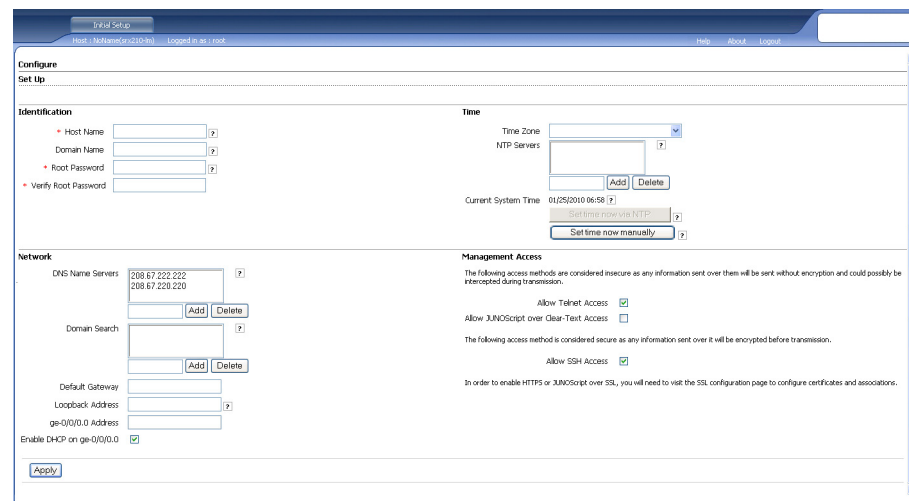
方法 2: サービス ゲートウェイの静的 IP アドレスを取得

ge-0/0/0 ポートを使用して、ご利用の ISP に接続します。ISP は静的 IP アドレスを提供しています。DHCP プロセスを使用して IP アドレスを受領しません。

この方法を使用して、サービス ゲートウェイで IP アドレスを取得する場合、このガイドのパート 7 からパート 10 の指示に従ってください。

パート 7: J-Web インターフェースにアクセス

1. 管理デバイスで Web ブラウザを起動します。
2. URL アドレス フィールドに **http://192.168.1.1** と入力します。J-Web ログイン ページが表示されます。
3. デフォルト ユーザー名に **root** を指定します。Password フィールドには値を入力しないでください。
4. **Log In** をクリックします。J-Web Initial Setup ページが表示されます。



パート 8: 基本設定を構成

サービス ゲートウェイの Host Name、Domain Name、Root Password などの基本設定を構成します。

重要: IP アドレスとルート パスワードを構成したことを確認してから、構成を適用します。

注: アスタリスク (*) の付いたフィールドはすべて必須です。

パート 6 の方法 2 を使用して、サービス ゲートウェイの IP アドレスを取得した場合、必ず J-Web で以下の変更を行ってください。

1. **Enable DHCP on ge-0/0/0** チェック ボックスの選択を解除します。
2. **ge-0/0/0** アドレス フィールドに、ISP が提供した手動の IP アドレスを入力します。IP アドレスは *a.b.c.d/xx* の形式で入力してください。ここで、*xx* はサブネット マスクです。
3. **Default Gateway** フィールドにゲートウェイの IP アドレスを入力します。ゲートウェイの IP アドレスも ISP が提供します。
4. **DNS name servers** フィールドにサーバー名を入力します。サーバー名は ISP が提供します。
5. 構成を適用します。

パート 9: 基本構成を適用

1. **Commit** をクリックして、基本構成を保存します。
2. **Apply** をクリックして、基本構成を適用します。

注: インターフェース構成に何らかの変更を行う場合、<http://www.juniper.net/us/en/local/pdf/app-notes/3500153-en.pdf> の *Branch SRX Series Services Gateways Golden Configurations* を参照してください。

パート 10: 設定内容の確認

<http://www.support.dell.com> にアクセスして、インターネットに接続されていることを確認します。接続していると、トラフィックはサービス ゲートウェイを通過できます。

注: <http://www.support.dell.com> ページが読み込まれない場合は、構成設定を確認し、構成を適用したことを確認します。

これらの手順を完了した後、任意の trust ポートから アント untrust へトラフィックを渡すことができます。

J-SRX210 サービス ゲートウェイ (統合コンバージェンス サービス付き) の接続および構成

J-SRX210H-P-MGW モデルを使用する場合は、以下の手順でメディア ゲートウェイでの音声サポートを構成し、デバイスを使った通話の発信および受信を始めます。

次の表は、メディア ゲートウェイで音声サポートを構成するための手順の概要を示しています。

ステップ	タスク	ステップ	タスク
1	FXO ポートと FXS ポートを接続する。	7	トランクを構成する。
2	J-Web インターフェースにアクセスする。	8	トランク グループを構成する。
3	制限のクラスを構成する。	9	ダイヤル プランを作成する。
4	SIP ステーションを構成する。	10	メディア ゲートウェイを構成する。
5	アナログ ステーションを構成する。	11	残存可能通話サーバーを構成する。
6	ピア通話サーバーを構成する。		

パート 1: FXS ポートと FXO ポートを接続

1. RJ-11 ケーブルを使用して、デバイスの FXS ポート (FXS1 または FXS2) を電話、ファックス、またはモデムなどのアナログ デバイスに接続します。
2. RJ-11 ケーブルを使用して、デバイスの FXO ポート (FXO1 または FXO2) を中央オフィス (CO) スイッチ、または PSTN のステーション ポートに接続します。
3. イーサネット ケーブルを PoE ポート (ge-0/0/0、ge-0/0/1、fe-0/0/2、fe-0/0/3) のいずれかから VoIP 電話に接続します。

パート 2: J-Web インターフェースにアクセス

1. 管理デバイスから Web ブラウザを起動します。
2. 「J-SRX210 サービス ゲートウェイの接続および構成」セクションで説明した初期構成の間に設定した証明書を使用して、ログオンします。
3. J-Web Dashboard ページが表示されます。

パート 3: 制限のクラスを構成

制限のクラスを構成して、通話タイプ権限の指定専用のポリシーを定義します。

1. **Configure > Convergence Services > Station > Class of Restriction** を選択します。Class of Restriction Configuration ページが表示されます。
2. **Add** をクリックして、新しい制限のクラスを構成します。New Class of Restriction ページが表示されます。
3. Class of Restriction フィールドに名前を入力します。
4. **Add** をクリックして、作成している制限のクラスに新規ポリシーを追加します。New Policy Configuration ページが表示されます。
5. 次のアクションを行います。

フィールド	アクション
Policy Name	ポリシーの名前を指定します。
Available Call Types	セットアップに適用可能な通話タイプを選択します。
Permissions	選択した通話タイプに関する権限 (許可または拒否) を設定します。

注: デフォルトでは、支店間呼と緊急呼のみが許可されています。

パート 4: SIP ステーションを構成

注: デバイスの初期設定では、ステーション テンプレートを構成する必要はありません。デフォルト値を使用できます。

1. **Configure > Convergence Services > Station** を選択します。Station Configuration ページが表示されます。
2. **Add** をクリックして、新規ステーションを追加し、次の必須基本アクションを行います。

フィールド	アクション
Name	ステーションの名前を指定します。
Extensions	ステーションの内線番号を入力します。
Class of Restriction	すでに構成したクラスの制限を選択します。
Template Name	すでに定義したステーション テンプレートを選択します。

共通の構成を共有できるように、アナログ テンプレートを同じように構成できます。

パート 5: アナログステーションを構成

1. **Configure > Convergence Services > Station** を選択します。Station Configuration ページが表示されます。
2. **Add** をクリックして、新規ステーションを追加し、次の必須基本アクションを行います。

フィールド	アクション
Name	ステーションの名前を指定します。
Extensions	ステーションの内線番号を入力します。
Class of Restriction	すでに構成したクラスの制限を選択します。

フィールド	アクション
Template Name	すでに定義したステーション テンプレートを選択します。
TDM Interface	構成する TDM インターフェースのタイプ (FXO、FXS、または T1) を指定します。

注: 共通の構成を共有できるように、個々の SIP ステーションを同じように構成できます。

パート 6: ピア通話サーバーを構成

デバイスに通話ルーティング サービスおよび通話処理サービスを提供する、ピア通話サーバーを構成します。

1. **Configure > Convergence Services > Call Server** を選択します。Peer Call Server Configuration ページが表示されます。
2. 次の必須基本アクションを行います。

フィールド	アクション
Name	ピア通話サーバーの名前を指定します。
PSTN Access Number	PSTN に直接問い合わせる必要がある場合に使用する、残存可能通話サーバーの外部 PSTN 番号を指定します。
Address Type	アドレス タイプを fqdn または ipv4-address から選択します。
FQDN	完全修飾ドメイン名を入力します。
IP Address	ピア通話サーバーの IP アドレスを入力します。

注: ピア通話サーバーを構成するとき:

- ピア通話サーバーで自身を認証するデバイスについては、ピア通話サーバーの管理者が提供する、デバイスのユーザー ID とパスワードの詳細を提供する必要があるかもしれません。
- Port (5060) フィールドおよび Transport (UDP) フィールドではデフォルト値を承認できます。
- デバイスの初期設定では、コーデックを構成する必要はありません。デフォルトのコーデックのセットが使用されます。デフォルトでは、コーデックは次の順に指定されます。711-μ、G711-A、G729AB

パート 7: トランクを構成

通話を宛先へルーティングするのにデバイスまたは残存可能通話サーバーが使用するため、PSTN 時分割マルチプレキシング (TDM) インターフェースのトランクを構成します。

1. **Configure > Convergence Services > Gateway > Trunks** を選択します。New Trunk Configuration ページが表示されます。
2. 次のアクションを行います。

フィールド	アクション
Trunk Name	トランクの名前を入力します。
Trunk Type	トランクのタイプ (FXO、FXS、または T1) を選択します。
TDM Interface	あるタイプの通話をルーティングするために構成する TDM インターフェースのタイプ (FXO、FXS、または T1) を指定します。

パート 8: トランク グループを構成

トランク グループは、複数のトランクから構成されます。トランクは、通話をルーティングするために選択しなければならない優先順序で指定されます。

1. **Configure > Convergence Services > Gateway > Trunk Groups** を選択します。Trunk Group Configuration ページが表示されます。
2. **Add** をクリックして、新規トランク グループを作成し、次の必須アクションを行います。

フィールド	アクション
Name	トランク グループの名前を指定します。
Available Trunks	セットアップに適用可能なトランクを選択します。

パート 9: ダイアル プランを作成

支店の SIP 電話 / アナログ ステーションからその PSTN への発話のルーティングが、ピア通話サーバーにできるようにするため、ダイアル プランを作成します。

1. **Configure > Convergence Services > Dial Plan** を選択し、**Dial Plan** をクリックします。Dial Plan Configuration ページが表示されます。
2. **Add** をクリックして、新しいダイアル プランを作成します。New Dial Plan Configuration ページが表示されます。
3. **Dial Plan Name** フィールドに名前を入力して、**Add** をクリックします。New Route Pattern Configuration ページが表示されます。
4. 次の必須基本アクションを行います。

フィールド	アクション
Route Pattern	ルート パターン名を指定します。
Call Type	通話タイプを選択します。デフォルトは trunk-call です。
Trunk-groups	ルート パターンに含める、前もって構成されたトランク グループを選択します。

注: Preference および Digit Manipulation フィールドではデフォルト値を承認できます。

パート 10: メディア ゲートウェイを構成

ピア通話サーバーを利用して通話ルーティング サービスなどの通話処理サービスを提供できる場合に、ユーザーが支店内または外部と通話できるように、メディア ゲートウェイを構成します。

1. **Configure > Convergence Services > Media Gateway > Gateway** を選択します。Media Gateway Configuration ページが表示されます。
2. **Add** をクリックして、次の必須設定を入力します。

フィールド	アクション
Media Gateway	デバイス名を指定します。
Call Server	関連付けるピア通話サーバーを選択します。
Dial Plan	前もって構成されたダイアル プランを選択します。
Zone	指定されたゾーンメディア ゲートウェイ サービスおよび残存可能通話サーバー サービスを有効にするため、デバイスのゾーンのサービス ポイントを指定します。

注: Port (5060) フィールドおよび Transport (UDP) フィールドではデフォルト値を承認できます。

パート 11: 残存可能通話サーバーを構成

このサーバーは、ピア通話サーバーに到達できないときに、ピア通話サーバーの役割を果たします。

1. **Configure > Convergence Services > Call Service** を選択します。Survivable Call Service ページが表示されます。
2. **Add** をクリックして、新規通話サービスを作成し、次の必須基本アクションを行います。

フィールド	アクション
Call Service Name	通話サービスの名前を指定します。
Call Server	ピア通話サーバー名を選択します。
Dial Plan	残存可能通話サーバーに使用される、前もって構成されたダイヤルプランを選択します。
Zone	ゾンの名前を指定します。

注: 通話サービスを構成するのに必要な、他のすべてのパラメータはオプションです。また、これらのパラメータに設定されたデフォルト値を承認できます。

デバイスの電源オフ

以下のいずれかの方法でデバイスの電源を切ることができます。

- 通常のシャットダウン – Power ボタンを押して、すぐに離します。デバイスは、オペレーティングシステムの通常のシャットダウンを開始します。
- 直ちにシャットダウン – Power ボタンを 10 秒間押したままにします。デバイスは直ちにシャットダウンします。Power ボタンをもう一度押して、デバイスの電源をオンにします。

注: J-Web インターフェースで **Maintain > Reboot** を選択して、システムを再起動または停止できます。

構成に関する詳細については、<http://www.juniper.net/us/en/local/pdf/app-notes/3500153-en.pdf> の *Branch SRX Series Services Gateways Golden Configurations* を参照してください。

詳細なソフトウェア設定情報は、<http://www.juniper.net/techpubs/software/junos-srx/index.html> にあるソフトウェアドキュメントを参照してください。

Dell へのお問い合わせ

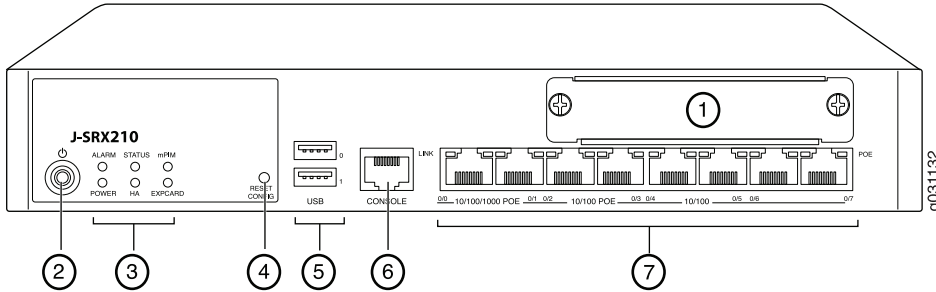
テクニカル サポートについては <http://www.support.dell.com> を参照してください。



Dell PowerConnect J-Series J-SRX210 서비스 게이트웨이 퀵 스타트

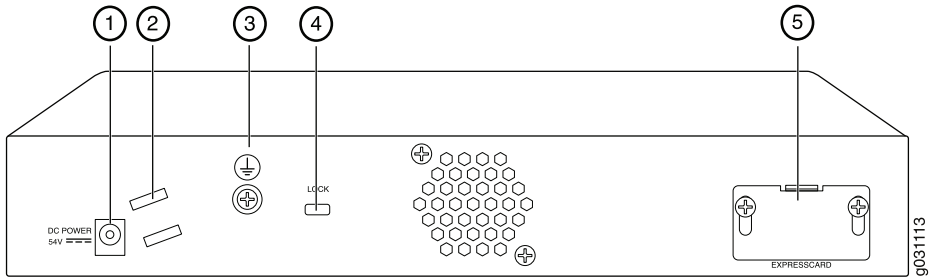
이 퀵 스타트에 있는 지침을 따라 Dell PowerConnect J-Series J-SRX210 서비스 게이트웨이를 네트워크에 연결합니다. 보다 자세한 내용은 <http://www.support.dell.com/manuals> 에서 *J-SRX210 Services Gateway Hardware Guide* 참조하십시오. (정식 모델 번호 SRX210)

J-SRX210 서비스 게이트웨이 (J-SRX210B, J-SRX210H, J-SRX210H-POE) 후면 패널



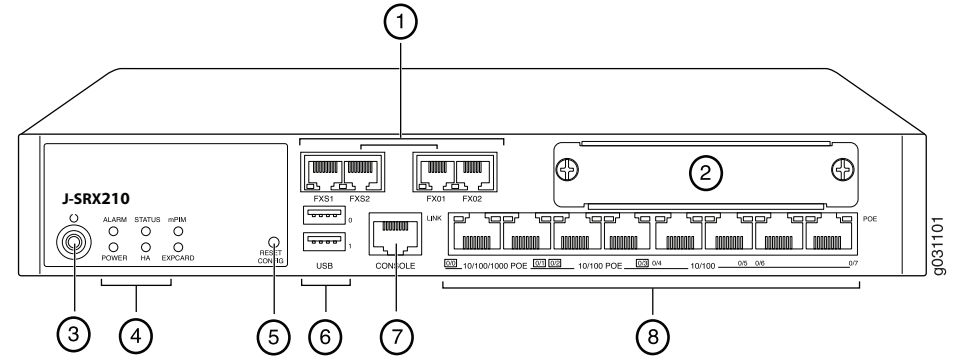
콜아웃	설명	콜아웃	설명
1	Mini-PIM 슬롯	5	USB 포트
2	Power 버튼	6	콘솔 포트
3	LED (ALARM, POWER, STATUS, HA, mPIM, EXPCARD)	7	기가비트 이더넷 (0/0 과 0/1) 및 패스트 이더넷 (0/2 ~ 0/7) 포트
4	Reset Config 버튼		

J-SRX210 서비스 게이트웨이 (J-SRX210B, J-SRX210H, J-SRX210H-POE) 후면 패널



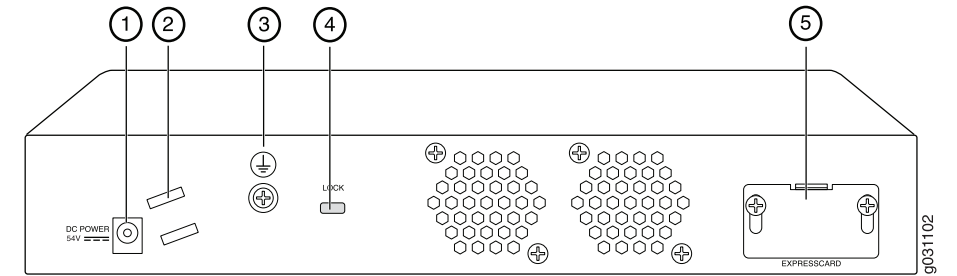
콜아웃	설명	콜아웃	설명
1	전원 공급장치 입력	4	보안 케이블 잠금 장치
2	케이블 매듭 홀더	5	익스프레스 카드 슬롯
3	접지 지점		

수령 서비스가 통합되어 있는 J-SRX210 서비스 게이트웨이 (J-SRX210H-P-MGW) 후면 패널



콜아웃	설명	콜아웃	설명
1	FXS 및 FXO 음성 포트	5	Reset Config 버튼
2	Mini-PIM 슬롯	6	USB 포트
3	Power 버튼	7	콘솔 포트
4	LED (ALARM, POWER, STATUS, HA, mPIM, EXPCARD)	8	기가비트 이더넷 (0/0 과 0/1) 및 패스트 이더넷 (0/2 ~ 0/7) 포트

수령 서비스가 통합되어 있는 J-SRX210 서비스 게이트웨이 (J-SRX210H-P-MGW) 후면 패널



콜아웃	설명	콜아웃	설명
1	전원 공급장치 입력	4	보안 케이블 잠금 장치
2	케이블 매듭 홀더	5	익스프레스 카드 슬롯
3	접지 지점		



530-036269 REV 01

J-SRX210 서비스 게이트웨이 모델

J-SRX210 서비스 게이트웨이에는 다음과 같이 네 가지 모델이 있습니다.

장치	DDR 메모리	PoE(Power over Ethernet)	음성 지원
J-SRX210B	512 MB	지원 안 함	지원 안 함
J-SRX210H	1 GB	지원 안 함	지원 안 함
J-SRX210H-POE	1 GB	지원	지원 안 함
J-SRX210H-P-MGW	1 GB	지원	지원

참고 : J-SRX210H-PoE 와 J-SRX210H-P-MGW 모델에서는 네 가지 포트 (ge-0/0/0, ge-0/0/1, fe-0/0/2, fe-0/0/3) 에서 PoE 50W 를 지원합니다.

J-SRX210 서비스 게이트웨이 연결 및 구성

아래의 지침을 사용하여 J-SRX210 서비스 게이트웨이 모델을 연결 및 설정하여 네트워크를 보호하십시오. 장치 전면 패널의 LED 를 참조하면 장치 상태를 확인할 수 있습니다.

1 부: 서비스 게이트웨이를 접지 면에 연결

1. 접지 케이블은 —14 AWG 단일 가닥, 4 A—링형 구조, 비닐 절연형 TV14-6R 러그를 포함한 것이거나 자격 있는 전기 기사가 연결한 동급 케이블을 이용합니다.
2. 접지 케이블을 적절한 접지 면에 연결합니다.
3. 새시 상단 후면의 접지점 위에 접지 케이블 러그를 놓고 6-32 UNC 나사 하나로 러그를 고정합니다.

2 부: 전원 케이블을 장치에 연결

전원 케이블을 장치와 전원 공급원에 연결합니다. 서지 보호기를 사용할 것을 권장합니다. 다음 표시에 유의:

- POWER LED(녹색): 장치에 전원이 공급되고 있습니다.
- STATUS LED(녹색): 장치가 정상적으로 작동 중입니다.
- ALARM LED(황색): 장치가 정상적으로 작동하고 있지만 복구 구성을 설정하지 않았을 때 황색이 켜질 수 있습니다. 하지만 걱정할 상황은 아닙니다.
- mPIM LED(꺼짐): Mini-PIM(Mini-Physical Interface Module) 이 없거나 장치가 이를 감지하지 못하는 것입니다. 이 LED 가 녹색으로 켜져 있으면, Mini-PIM 이 정상적으로 작동하고 있는 것입니다.

참고 : 복구 구성을 설정하면, 황색 ALARM LED 는 사소한 경고를 나타내며 빨간색 ALARM LED 는 서비스 게이트웨이에 중대한 문제가 있음을 나타냅니다.

참고 : 장치의 전원을 켜 후 5 분 ~7 분 정도 부팅될 때까지 기다려야 합니다. STATUS LED 에 녹색이 켜질 때까지 기다렸다가 다음 작업으로 넘어가십시오.

3 부: 관리 장치 연결

다음 방법 중 하나를 사용하여 관리 장치를 서비스 게이트웨이에 연결합니다.

- RJ-45 케이블(이더넷 케이블)로 전면 패널에 있는 다음 포트 중 하나와 관리 장치(워크스테이션 또는 랩톱)에 있는 이더넷 포트를 연결합니다.
 - ge-0/0/1
 - fe-0/0/2 ~ fe-0/0/7

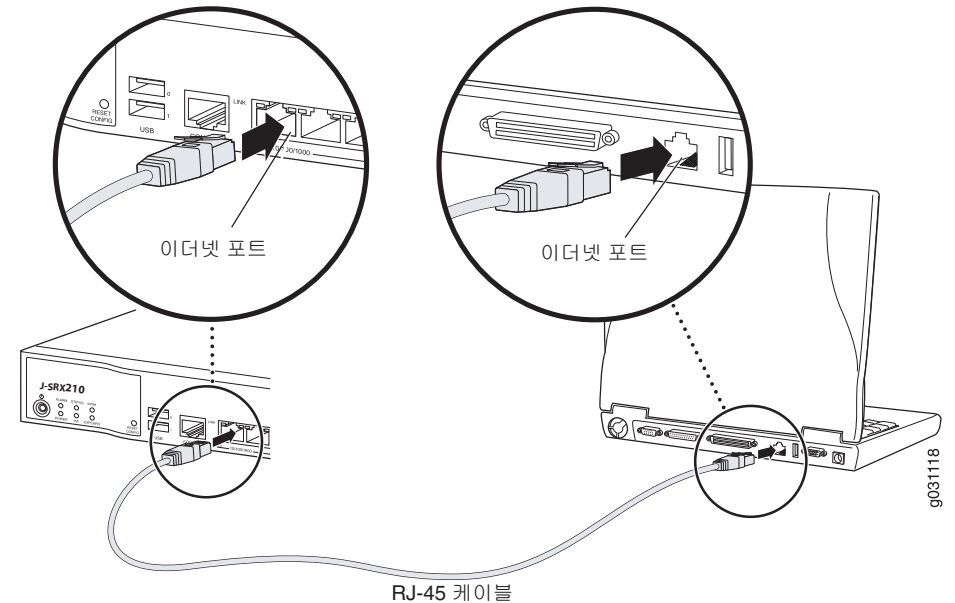
이 연결 방법을 권장합니다. 이 방법으로 연결할 경우, 4 부로 넘어가십시오.

- RJ-45 케이블(이더넷 케이블)로 CONSOLE 포트와 제공된 DB-9 어댑터를 연결한 다음 관리 장치의 직렬 포트에 연결합니다. (직렬 포트 설정: **9600 8-N-1**.)

이 방법으로 연결할 경우,

<http://www.juniper.net/us/en/local/pdf/app-notes/3500153-en.pdf> 의 *Branch SRX Series Services Gateways Golden Configurations* 에 나와있는 CLI 구성 지침을 진행하십시오.

관리 인터페이스를 연결하는 것에 대한 자세한 내용은 아래 그림을 참조하십시오.



4 부: 기본 구성 설정 이해

J-SRX210 서비스 게이트웨이는 올바르게 작동하기 위해 기본 구성 설정이 필요한 보안 라우팅 장치입니다.

- 인터페이스에 IP 주소를 할당해야 합니다.
- 인터페이스에 구역이 나뉘어 있어야 합니다.
- 구역 간에 트래픽을 허용 / 거부할 수 있도록 정책을 구성해야 합니다.
- 소스 NAT 규칙을 정해야 합니다.

장치를 처음으로 가동할 경우 다음과 같은 기본 구성으로 설정됩니다. 장치를 사용하기 위해 어떠한 초기 구성도 수행할 필요가 없습니다.

인터페이스의 출하시 기본 설정

포트 레이블	인터페이스	보안 영역	DHCP 상태	IP 주소
0/0	ge-0/0/0	untrust	클라이언트	지정되지 않음
0/1 과 0/2 ~ 0/7	ge-0/0/1 과 fe-0/0/2 ~ fe-0/0/7	trust	서버	192.168.1.1/24

보안 정책의 출하시 기본 설정

소스 영역	대상 영역	정책 실행
trust	untrust	허용
trust	trust	허용
untrust	trust	거부

NAT 규칙의 출하시 기본 설정

소스 영역	대상 영역	정책 실행
trust	untrust	소스 NAT 의 untrust 영역 인터페이스

5 부 : 관리 장치에서 IP 주소 획득

관리 장치를 서비스 게이트웨이에 연결하면, 서비스 게이트웨이에서 DHCP 서버가 프로세스가 관리 장치에 자동으로 IP 주소를 할당합니다. 관리 장치가 장치의 **192.168.1/24** 하위 네트워크 (**192.168.1.1** 제외) 에서 IP 주소를 획득하는지 확인하십시오.

참고 :

- 서비스 게이트웨이가 DHCP 서버로 작동하고 있으며 IP 주소를 관리 장치에 할당할 것입니다.
- IP 주소가 관리 장치에 할당되지 않을 경우 **192.168.1.0/24** 하위 네트워크에서 IP 주소를 수동으로 구성하십시오. **192.168.1.1** IP 주소는 장치에 할당되므로 이 IP 주소를 관리 장치에 할당하지 마십시오. 기본적으로, L3 VLAN 인터페이스 (IRB) vian.0 (ge-0/0/1 과 fe-0/0/2~fe-0/0/7) 에서는 DHCP 서버가 활성화되며 IP 주소 **192.168.1.1/24** 가 구성됩니다.
- J-SRX210 시리즈 서비스 게이트웨이를 처음으로 가동하면 출하시 기본 구성으로 부팅됩니다.

6 부 : 서비스 게이트웨이에 IP 주소가 할당되는지 확인

다음 방법 중 하나를 이용해 서비스 게이트웨이에서 IP 주소를 획득합니다.

방법 1: 서비스 게이트웨이에서 동적 IP 주소 획득

ge-0/0/0 포트를 이용해 ISP(Internet Service Provider) 에 접속합니다. 그러면 ISP 가 DHCP 프로세스를 통해 IP 주소를 할당합니다.

이 방법으로 서비스 게이트웨이에서 IP 주소를 획득할 경우, 이 문서에 나와 있는 7 부 ~10 부의 절차를 따라 장치를 구성하고 트래픽을 보내십시오.

방법 2: 서비스 게이트웨이에서 정적 IP 주소 획득

ge-0/0/0 포트를 이용해 ISP 에 접속합니다. 그러면 ISP 가 정적 IP 주소를 제공해줍니다. 그리고 DHCP 프로세스를 통해 IP 주소를 할당 받지 못합니다.

이 방법으로 서비스 게이트웨이에서 IP 주소를 획득할 경우, 이 문서의 7 부 ~10 부에 나와 있는 지침을 따르십시오.

7 부 : J-Web 인터페이스에 액세스

1. 관리 장치에서 웹 브라우저를 시작합니다.
2. URL 주소 필드에 **http://192.168.1.1** 을 입력합니다. J-Web 로그인 페이지가 나타납니다.
3. 기본 사용자 이름을 **root** 로 지정합니다. Password 필드에 값을 입력하지 마십시오.
4. **Log In** 을 클릭합니다. J-Web Initial Setup 페이지가 나타납니다.

8 부 : 기본 설정 구성

서비스 게이트웨이의 Host Name, Domain Name, Root Password 등 기본 설정을 구성합니다.

중요 : 구성을 적용하기에 앞서 IP 주소와 루트 암호를 구성했는지 확인합니다.

참고 : 별표 (*) 가 표시된 필드는 모두 필수 입력 사항입니다.

6 부에 나와 있는 방법 2 를 이용해 서비스 게이트웨이에서 IP 주소를 획득했다면 다음과 같이 J-Web 을 수정해야 합니다.

1. **Enable DHCP on ge-0/0/0.0** 확인란을 선택 해제합니다.
2. ISP 로부터 제공 받은 IP 주소를 **ge-0/0/0.0** 주소 필드에 입력합니다. IP 주소는 **a.b.c.d/xx** 형식으로 입력해야 하는데, 여기서 **xx** 는 서브넷 마스크입니다.
3. 게이트웨이의 IP 주소를 **Default Gateway** 필드에 입력합니다. 게이트웨이의 IP 주소 역시 ISP 가 제공해줍니다.
4. **DNS name servers** 필드에 서버 이름을 입력합니다. 서버 이름은 ISP 가 제공해줍니다.
5. 구성을 적용합니다.

9 부: 기본 구성 적용

1. **Commit** 을 클릭해 기본 구성을 저장합니다.
2. **Apply** 를 클릭해 기본 구성을 적용합니다.

참고: 인터페이스 구성을 변경하려면, *Branch SRX Series Services Gateways Golden Configurations* (<http://www.juniper.net/us/en/local/pdf/app-notes/3500153-en.pdf>) 을 참조하십시오.

10 부: 구성 확인

<http://www.support.dell.com> 에 액세스해 인터넷에 접속되었는지 확인합니다. 그래야 서비스 게이트웨이를 통해 트래픽을 보낼 수 있습니다.

참고: <http://www.support.dell.com> 페이지가 로드되지 않으면, 구성 설정을 살펴보고 구성을 적용했는지 확인합니다.

다음 절차를 이행하면 trust 포트에서 untrust 포트로 트래픽을 보낼 수 있습니다.

수령 서비스가 통합되어 있는 J-SRX210 서비스 게이트웨이 연결 및 구성

J-SRX210H-P-MGW 모델을 갖고 있다면, 아래의 지침을 사용해 미디어 게이트웨이에서 음성 지원을 구성하고 장치를 사용해 통화를 주고 받을 수 있습니다.

아래 표는 미디어 게이트웨이에서 음성 지원을 구성할 때 따라야 하는 절차를 간략히 정리해 놓은 것입니다.

단계	작업	단계	작업
1	FXO 와 FXS 포트를 연결합니다.	7	트렁크를 구성합니다.
2	J-Web 인터페이스에 액세스합니다.	8	트렁크 그룹을 구성합니다.
3	제한 등급을 구성합니다.	9	다이얼 플랜을 만듭니다.
4	SIP 스테이션을 구성합니다.	10	미디어 게이트웨이를 구성합니다.
5	아날로그 스테이션을 구성합니다.	11	계속 유효한 콜 서버를 구성합니다.
6	피어 콜 서버를 구성합니다.		

1 부: FXS 와 FXO 포트 연결

1. RJ-11 케이블로 장치의 FXS 포트 (FXS1 또는 FXS2) 와 전화, 팩스, 모뎀 등 아날로그 장치를 연결합니다.
2. RJ-11 케이블로 장치에 있는 FXO 포트 (FXO1 또는 FXO2) 와 CO(Central Office) 스위치 또는 PSTN 의 스테이션 포트를 연결합니다.
3. 이더넷 케이블로 아무 PoE 포트 (ge-0/0/0, ge-0/0/1, fe-0/0/2, fe-0/0/3) 와 VoIP 전화를 연결합니다.

2 부: J-Web 인터페이스에 액세스

1. 관리 장치에서 웹 브라우저를 시작합니다.
2. "J-SRX210 서비스 게이트웨이 연결 및 구성" 단원에서 설명하는 초기 구성 중에 설정한 자격 증명을 이용해 로그인하십시오.
3. J-Web Dashboard 페이지가 표시됩니다.

3 부: 제한 등급 구성

제한 등급을 구성해 통화 종류 허용 여부를 결정할 정책을 정의합니다.

1. **Configure > Convergence Services > Station > Class of Restriction** 을 선택합니다. Class of Restriction Configuration 페이지가 나타납니다.
2. **Add** 를 클릭해 새로운 제한 등급을 만듭니다. New Class of Restriction 페이지가 나타납니다.
3. Class of Restriction 필드에 이름을 입력합니다.
4. **Add** 를 클릭해 만들고 있는 제한 등급에 새로운 정책을 추가합니다. New Policy Configuration 페이지가 나타납니다.
5. 다음 작업을 수행합니다.

필드	작업
Policy Name	정책의 이름을 지정합니다.
Available Call Types	설정에 맞는 통화 종류를 선택합니다.
Permissions	선택한 통화 종류에 대해 허용 여부를 설정합니다.

참고: 기본적으로, 지점 외 통화와 긴급 통화만 허용됩니다.

4 부: SIP 스테이션 구성

참고: 장치의 초기 구성 시, 스테이션 템플릿을 구성할 필요가 없습니다. 기본 값을 사용할 수 있습니다.

1. **Configure > Convergence Services > Station** 을 선택합니다. Station Configuration 페이지가 나타납니다.
2. **Add** 를 클릭해 새로운 스테이션을 추가하고 다음과 같은 필수 기본 작업을 수행하십시오.

필드	작업
Name	스테이션의 이름을 지정합니다.
Extensions	스테이션의 확장 번호를 입력합니다.
Class of Restriction	이미 구성해 놓은 제한 등급을 선택합니다.
Template Name	이미 정의해 놓은 스테이션 템플릿을 선택합니다.

아날로그 템플릿을 서로 비슷하게 구성해 공통 구성을 공유할 수 있도록 합니다.

5 부: 아날로그 스테이션 구성

1. **Configure > Convergence Services > Station** 을 선택합니다. Station Configuration 페이지가 나타납니다.
2. **Add** 를 클릭해 새로운 스테이션을 추가하고 다음과 같은 필수 기본 작업을 수행하십시오.

필드	작업
Name	스테이션의 이름을 지정합니다.
Extensions	스테이션의 확장 번호를 입력합니다.
Class of Restriction	이미 구성해 놓은 제한 등급을 선택합니다.

필드	작업
Template Name	이미 정의해 놓은 스테이션 템플릿을 선택합니다.
TDM Interface	구성할 TDM 인터페이스 종류를 지정합니다 (FXO, FXS 또는 T1).

참고 : 각 SIP 스테이션을 비슷하게 구성해 공통 구성을 공유할 수 있도록 합니다.

6 부: 피어 콜 서버 구성

장치의 통화 연결 및 통화 처리 서비스를 제공하는 피어 콜 서버를 구성합니다.

1. **Configure > Convergence Services > Call Server** 를 선택합니다. Peer Call Server Configuration 페이지가 나타납니다.
2. 아래의 필수 기본 작업을 수행합니다.

필드	작업
Name	피어 콜 서버의 이름을 지정합니다.
PSTN Access Number	PSTN에 직접 접속해야 할 경우 계속 유효한 콜 서버의 외부 PSTN 번호를 지정합니다.
Address Type	fqdn 또는 ipv4-address 중 주소 종류를 선택합니다.
FQDN	완전히 유효한 도메인 이름을 입력합니다.
IP Address	피어 콜 서버의 IP 주소를 입력합니다.

참고 : 피어 콜 서버를 구성할 경우 :

- 장치가 피어 콜 서버로 자체 인증을 하려면, 피어 콜 서버의 관리자가 제공해 주는 장치 사용자 ID 와 암호를 입력해야 할 수도 있습니다.
- Port (5060) 와 Transport (UDP) 필드에 기본 값을 수용할 수 있습니다.
- 장치의 초기 구성 시, 코덱을 지정할 필요가 없습니다. 기본 코덱 모음을 사용하게 됩니다. 기본적으로, 코덱은 다음과 같은 순서로 지정합니다. 711- μ , G711-A, G729AB.

7 부: 트렁크 구성

장치나 계속 유효한 콜 서버가 통화 대상에 연결할 때 PSTN TDM(Time-Division Multiplexing) 인터페이스를 사용할 수 있도록 트렁크를 구성합니다.

1. **Configure > Convergence Services > Gateway > Trunks** 를 선택합니다. New Trunk Configuration 페이지가 나타납니다.
2. 다음 작업을 수행합니다.

필드	작업
Trunk Name	트렁크 이름을 입력합니다.
Trunk Type	트렁크 종류를 선택합니다 (FXO, FXS 또는 T1).
TDM Interface	특정 통화 종류를 연결할 수 있도록 구성할 TDM 인터페이스 종류를 선택합니다 (FXO, FXS 또는 T1).

8 부: 트렁크 그룹 구성

트렁크 그룹은 트렁크 여러 개로 구성되며 통화를 연결할 때 선택해야 하는 절차의 순서대로 지정됩니다.

1. **Configure > Convergence Services > Gateway > Trunk Groups** 를 선택합니다. Trunk Group Configuration 페이지가 나타납니다.
2. **Add** 를 클릭해 새로운 트렁크 그룹을 만들고 다음과 같은 필수 작업을 수행하십시오.

필드	작업
Name	트렁크 그룹의 이름을 지정합니다.
Available Trunks	설정에 맞는 트렁크를 선택합니다.

9 부: 다이얼 플랜 작성

다이얼 플랜을 만들어 피어 콜 서버가 지점에서 SIP 전화 / 아날로그 스테이션을 통해 외부로 건 전화를 PSTN 으로 연결할 수 있도록 합니다.

1. **Configure > Convergence Services > Dial Plan** 을 선택하고 **Dial Plan** 을 클릭합니다. Dial Plan Configuration 페이지가 나타납니다.
2. **Add** 를 클릭해 새로운 다이얼 플랜을 만듭니다. New Dial Plan Configuration 페이지가 나타납니다.
3. Dial Plan Name 필드에 이름을 입력하고 **Add** 를 클릭합니다. New Route Pattern Configuration 페이지가 나타납니다.
4. 아래의 필수 기본 작업을 수행합니다.

필드	작업
Route Pattern	연결 패턴 이름을 지정합니다.
Call Type	통화 종류를 선택합니다. 기본값은 트렁크 통화입니다.
Trunk-groups	연결 패턴에 포함시킬 사전 구성 트렁크 그룹을 선택합니다.

참고 : Preference 와 Digit Manipulation 필드에 기본값을 수용할 수 있습니다.

10 부: 미디어 게이트웨이 구성

사용자가 지점 안에서 그리고 외부에서 피어 콜 서버에 액세스해 통화 연결 및 기타 통화 처리 서비스를 제공할 수 있을 때 전화를 걸 수 있도록 미디어 게이트웨이를 구성합니다.

1. **Configure > Convergence Services > Media Gateway > Gateway** 를 선택합니다. Media Gateway Configuration 페이지가 나타납니다.
2. **Add** 를 클릭하고 아래의 필수 설정 항목을 입력합니다.

필드	작업
Media Gateway	장치 이름을 지정합니다.
Call Server	연결할 피어 콜 서버를 선택합니다.
Dial Plan	미리 구성해 놓은 다이얼 플랜을 선택합니다.
Zone	정해진 영역에서 미디어 게이트웨이와 계속 유효한 콜 서버 서비스를 이용할 수 있도록 장치의 영역에 대한 서비스 지점을 지정합니다.

참고 : Port (5060) 와 Transport (UDP) 필드에 기본 값을 수용할 수 있습니다.

11 부: 계속 유효한 콜 서버 구성

이 서버는 피어 콜 서버에 도달할 수 없을 때 피어 콜 서버에 책임이 있는 것으로 간주합니다.

1. **Configure > Convergence Services > Call Service** 를 선택합니다. Survivable Call Service 페이지가 나타납니다.
2. **Add** 를 클릭해 새로운 콜 서비스를 만들고 다음과 같은 필수 기본 작업을 수행하십시오.

필드	작업
Call Service Name	콜 서비스의 이름을 지정합니다.
Call Server	피어 콜 서버 이름을 선택합니다.
Dial Plan	계속 유효한 콜 서버에서 사용할 미리 구성해 놓은 다이얼 플랜을 선택합니다.
Zone	영역의 이름을 지정합니다.

참고: 통화 서비스를 구성할 때 필요한 기타 모든 변수는 선택 사항이며 이러한 변수에 대해 기본값을 수용할 수 있습니다.

장치 전원 끄기

다음 방법 중 하나를 사용하여 장치 전원을 끌 수 있습니다.

- 단계적 종료—Power 버튼을 눌렀다 즉시 놓습니다. 장치가 운영 체제를 단계적으로 종료하기 시작합니다.
- 즉시 종료—Power 버튼을 10초간 누르고 있습니다. 장치가 즉시 종료됩니다. Power 버튼을 다시 누르면 장치가 켜집니다.

참고: **Maintain > Reboot** 를 선택해 J-Web 인터페이스에서 시스템을 재부팅하거나 중지할 수 있습니다.

추가 구성 정보는 *Branch SRX Series Services Gateways Golden Configurations* (<http://www.juniper.net/us/en/local/pdf/app-notes/3500153-en.pdf>) 을 참조하십시오.

소프트웨어 구성에 대한 자세한 내용은

<http://www.juniper.net/techpubs/software/junos-srx/index.html> 에서 소프트웨어 설명서를 참조하십시오.

Dell 에 문의

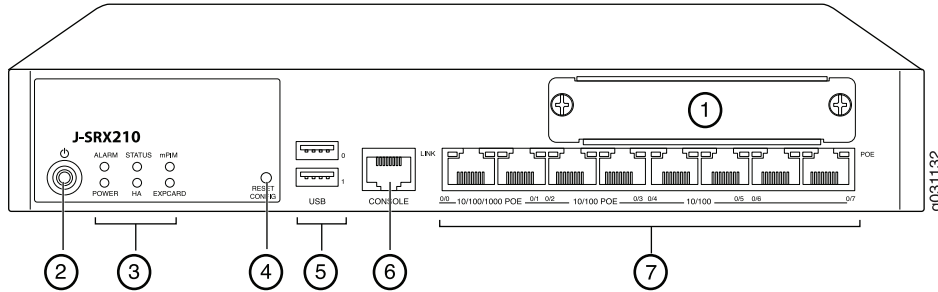
기술 지원에 대해서는 <http://www.support.dell.com> 을 참조하십시오.



Guia de Início Rápido do Gateway de Serviços Dell PowerConnect J-Series J-SRX210

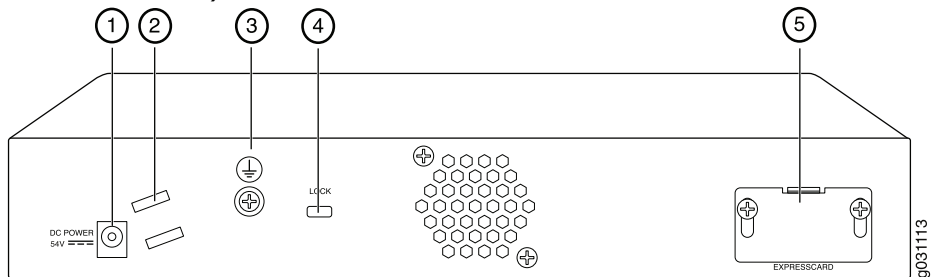
Siga as instruções deste guia de início rápido para conectar o Gateway de Serviços Dell PowerConnect J-Series J-SRX210 à sua rede. Para mais detalhes, consulte o *J-SRX210 Services Gateway Hardware Guide* no <http://www.support.dell.com/manuals>. (Modelo regulamentar número SRX210)

Gateway de Serviços J-SRX210 (J-SRX210B, J-SRX210H, J-SRX210H-POE) - Painel frontal



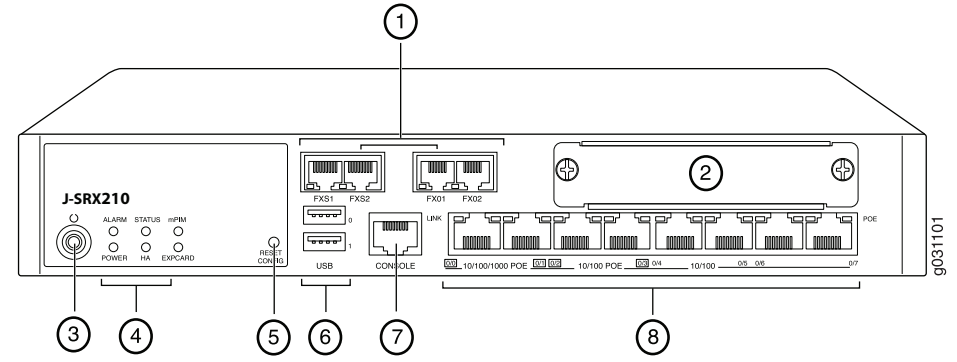
Legenda	Descrição	Legenda	Descrição
1	Slot mini-PIM	5	Portas USB
2	Botão Power	6	Porta do console
3	LEDs (ALARM, POWER, STATUS, HA, mPIM, EXPCARD)	7	Portas Ethernet Gigabit (0/0 e 0/1) e Ethernet Rápida (0/2 a 0/7)
4	Botão Reset Config		

Gateway de Serviços J-SRX210 (J-SRX210B, J-SRX210H, J-SRX210H-POE) - Painel traseiro



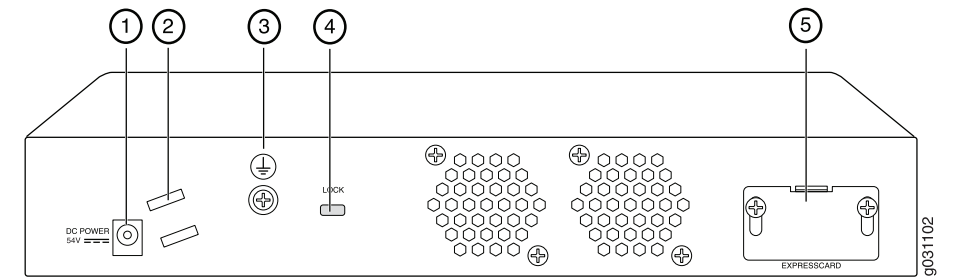
Legenda	Descrição	Legenda	Descrição
1	Entrada da fonte de energia	4	Trava do cabo de segurança
2	Prendedor do cabo	5	Slot do ExpressCard
3	Ponto de aterramento		

Gateway de Serviços J-SRX210 com Serviços Integrados de Convergência (J-SRX210H-P-MGW) - Painel frontal



Legenda	Descrição	Legenda	Descrição
1	Portas de voz FXS e FXO	5	Botão Reset Config
2	Slot mini-PIM	6	Portas USB
3	Botão Power	7	Porta do console
4	LEDs (ALARM, POWER, STATUS, HA, mPIM, EXPCARD)	8	Portas Ethernet Gigabit (0/0 e 0/1) e Ethernet Rápida (0/2 a 0/7)

Gateway de Serviços J-SRX210 com Serviços Integrados de Convergência (J-SRX210H-P-MGW) - Painel traseiro



Legenda	Descrição	Legenda	Descrição
1	Entrada da fonte de energia	4	Trava do cabo de segurança
2	Prendedor do cabo	5	Slot do ExpressCard
3	Ponto de aterramento		



Modelos do Gateway de Serviços J-SRX210

Os quatro modelos abaixo do Gateway de Serviços J-SRX210 estão disponíveis:

Dispositivo	Memória DDR	Power over Ethernet	Suporte para voz
J-SRX210B	512 MB	Não	Não
J-SRX210H	1 GB	Não	Não
J-SRX210H-POE	1 GB	Sim	Não
J-SRX210H-P-MGW	1 GB	Sim	Sim

NOTA: nos modelos J-SRX210H-PoE e J-SRX210H-P-MGW, o Power over Ethernet (PoE) de 50 watts é compatível nas quatro portas (ge-0/0/0, ge-0/0/1, fe-0/0/2 e fe-0/0/3).

Conexão e configuração do Gateway de Serviços J-SRX210

Siga as instruções abaixo para conectar e configurar qualquer modelo do Gateway de Serviços J-SRX210 para proteger sua rede. Verifique os LEDs situados no painel frontal do dispositivo para determinar o status do dispositivo.

Parte 1: conecte o Gateway de Serviços com aterramento

1. Obtenha um cabo de aterramento – cabo de filamento simples de 14 AWG, 4 A – com um borne TV14-6R tipo anel isolado por vinil, ou equivalente, instalado por um electricista credenciado.
2. Conecte o cabo de aterramento ao circuito de aterramento adequado.
3. Coloque o borne do cabo de aterramento sobre o ponto de aterramento na parte superior de trás do chassi, e fixe o terminal com um parafuso 6-32 UNC.

Parte 2: conexão do Cabo de alimentação no dispositivo

Conecte o cabo de alimentação no dispositivo e em uma fonte de energia. Recomendamos o uso de um protetor contra surtos de tensão. Observe o seguinte:

- POWER LED (LED de energia) (verde): o dispositivo está recebendo energia.
- STATUS LED (LED de status) (verde): o dispositivo está funcionando normalmente.
- ALARM LED (LED de alarme) (âmbar): o dispositivo está funcionando normalmente e a luz âmbar pode estar acesa se não foi definida uma configuração de salvamento. Não representa condição de emergência.
- mPIM LED (off) (desligado): o Mini-Physical Interface Module (Mini-PIM) não está presente ou não foi detectado pelo dispositivo. Se o LED estiver verde e constante, é sinal de que o Mini-PIM está funcionando normalmente.

NOTA: após a definição de uma configuração de salvamento, um ALARM LED âmbar indica um alarme sem gravidade e o vermelho sólido indica a existência de problema mais grave no gateway de serviços.

NOTA: aguarde de 5 a 7 minutos para a inicialização após ligar. Aguarde até que o STATUS LED esteja verde sólido antes de passar para a próxima parte.

Parte 3: conexão do Dispositivo de gerenciamento

Use um dos métodos abaixo para conectar o dispositivo de gerenciamento no gateway de serviços:

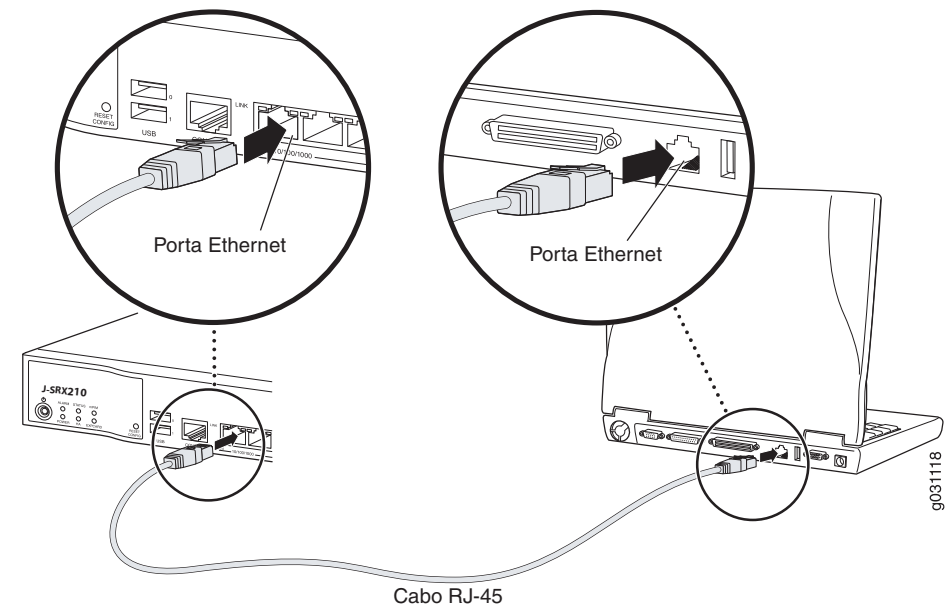
- Conecte um cabo RJ-45 (cabo Ethernet) de uma das portas a seguir situadas no painel frontal na porta Ethernet do dispositivo de gerenciamento (estação de trabalho ou notebook):
 - ge-0/0/1
 - fe-0/0/2 a fe-0/0/7

Este é o método de conexão que recomendamos. Se usar este método de conexão, passe para a Parte 4.

- Conecte um cabo RJ-45 (cabo Ethernet) da porta marcada como CONSOLE no adaptador DB-9 fornecido, que deve ser conectado na porta serial do dispositivo de gerenciamento. (Configurações da porta serial: **9600 8-N-1**.)

Se usar este método para conectar, siga as instruções de configuração CLI constantes das *Branch SRX Series Services Gateways Golden Configurations* no <http://www.juniper.net/us/en/local/pdf/app-notes/3500153-en.pdf>.

A ilustração abaixo mostra como conectar uma interface de gerenciamento.



Parte 4: explicação das Configurações padrão

O PowerConnect do Gateway de Serviços J-SRX210 é um dispositivo de roteamento seguro cujo funcionamento adequado exige as seguintes configurações básicas:

- Interfaces atribuídas a endereços IP.
- Interfaces vinculadas a zonas.
- Normas configuradas para as zonas permitindo/negando tráfego.
- Regras para o NAT fonte.

O dispositivo tem a seguinte configuração padrão quando é ligado pela primeira vez. Não é preciso fazer uma configuração inicial antes de usar o dispositivo.

CONFIGURAÇÕES PADRÃO DE FÁBRICA PARA INTERFACES

Legenda da porta	Interface	Zona de segurança	Estado DHCP	Endereço IP
0/0	ge-0/0/0	untrust	cliente	não atribuído
0/1 e 0/2 a 0/7	ge-0/0/1 e fe-0/0/2 a fe-0/0/7	trust	servidor	192.168.1.1/24

CONFIGURAÇÕES PADRÃO DE FÁBRICA PARA NORMAS DE SEGURANÇA

Zona de origem	Zona de destino	Ação da norma
trust	untrust	permitir
trust	trust	permitir
untrust	trust	negar

CONFIGURAÇÕES PADRÃO DE FÁBRICA PARA A REGRA NAT

Zona de origem	Zona de destino	Ação da norma
trust	untrust	fonte NAT para interface de zona untrust

Parte 5: confirmação de que o Dispositivo de gerenciamento tem um endereço IP

Após conectar o dispositivo de gerenciamento nos gateway de serviços, o processo do servidor DHCP no gateway de serviços atribui automaticamente um endereço IP para o dispositivo de gerenciamento. Confira se o dispositivo de gerenciamento obteve um endereço de IP na sub-rede **192.168.1/24** (sem ser **192.168.1.1**) do dispositivo.

NOTA:

- Esse gateway de serviços atua como um servidor DHCP e atribui um endereço IP para o dispositivo de gerenciamento.
- Se um endereço IP não for atribuído para o dispositivo de gerenciamento, configure manualmente um endereço IP na sub-rede **192.168.1.0/24**. Não atribua o endereço IP **192.168.1.1** para o dispositivo de gerenciamento, pois esse endereço IP está atribuído ao dispositivo. Como padrão, o servidor DHCP vem habilitado na interface L3 VLAN (IRB), `vlan.0` (`ge-0/0/1` e `fe-0/0/2` a `fe-0/0/7`), que está configurada com um endereço IP de **192.168.1.1/24**.
- Quando um Gateway de Serviços J-SRX210 é ligado pela primeira vez, a configuração padrão de fábrica é acionada.

Parte 6: verificação de que foi atribuído um endereço IP para o gateway de serviços

Use um dos seguintes métodos para obter um endereço IP no gateway de serviços:

MÉTODO 1: OBTENÇÃO DE UM ENDEREÇO IP DINÂMICO NO SEU GATEWAY DE SERVIÇOS

Use a porta `ge-0/0/0` para se conectar com o seu provedor de serviços de Internet (ISP). Seu ISP atribui um endereço IP por meio do processo DHCP.

Se estiver usando este método para obter um endereço IP no seu gateway de serviços, passe para as etapas da Parte 7 até a Parte 10 deste documento para configurar o dispositivo e passar o tráfego.

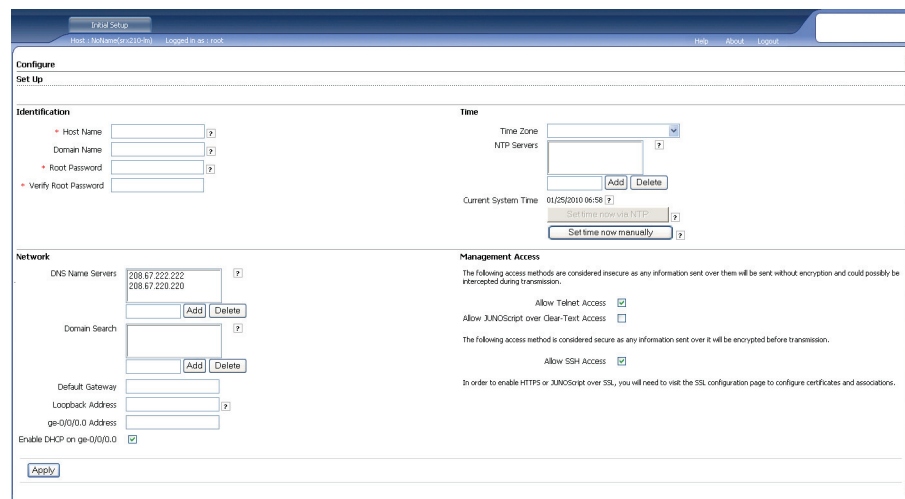
MÉTODO 2: OBTENÇÃO DE UM ENDEREÇO IP ESTÁTICO NO SEU GATEWAY DE SERVIÇOS

Use a porta `ge-0/0/0` para se conectar com o seu ISP. Seu ISP já terá fornecido um endereço IP estático. Você não recebe um endereço IP por meio do processo DHCP.

Se estiver usando este método para obter um endereço IP no seu gateway de serviços, siga as instruções da Parte 7 até a Parte 10 deste documento.

Parte 7: acesso à Interface J-Web

1. Inicie um navegador da Web no dispositivo de gerenciamento.
2. Digite **http://192.168.1.1** no campo de endereço URL. A página de login na J-Web é exibida.
3. Especifique o nome de usuário padrão como **root**. Não digite nenhum valor no campo Password.
4. Clique em **Log In**. A página J-Web Initial Setup é exibida.



Parte 8: definição das Configurações básicas

Defina as configurações básicas, como Host Name, Domain Name, Root Password do seu gateway de serviços.

IMPORTANTE: o endereço IP e a senha raiz devem já estar definidos quando a configuração for aplicada.

NOTA: todos os campos marcados com um asterisco (*) são obrigatórios.

Se o Método 2 da Parte 6 foi usado para obtenção de um endereço IP no seu gateway de serviços, as seguintes modificações da J-Web são necessárias:

1. Desmarque a caixa de seleção **Enable (Habilitar) DHCP no ge-0/0/0.0**.
2. Digite o endereço IP manual fornecido pelo seu ISP no campo de endereços **ge-0/0/0.0**. O endereço IP deve ser digitado no formato `a.b.c.d.xx`, sendo que `xx` é a máscara da sub-rede.
3. Digite o endereço IP do gateway no campo Default Gateway. Seu ISP também fornece o endereço IP do gateway.
4. Digite os nomes dos servidores no campo **DNS name servers**. Os nomes dos serviços são fornecidos pelo seu ISP.
5. Aplique a configuração.

Parte 9: aplicação da Configuração básica

1. Clique em **Commit** para salvar a configuração básica.
2. Clique em **Apply** para aplicar a configuração básica.

NOTA: para alterar a configuração da interface, consulte *Branch SRX Series Services Gateways Golden Configurations* no <http://www.juniper.net/us/en/local/pdf/app-notes/3500153-en.pdf>.

Parte 10: verificação da Configuração

Acesse <http://www.support.dell.com> para confirmar que você está conectado na Internet. Esta conectividade garante a passagem do tráfego pelo gateway de serviços.

NOTA: se a página <http://www.support.dell.com> não carregar, verifique suas definições de configuração e se elas foram aplicadas.

Após concluir estas etapas você pode passar o tráfego de qualquer porta trust para a porta untrust.

Conexão e configuração do Gateway de Serviços J-SRX210 com Serviços Integrados de Convergência

Se tiver um modelo J-SRX210H-P-MGW, siga as instruções abaixo para configurar o suporte de voz no gateway de mídia e começar a usar o dispositivo para fazer e receber chamadas.

A tabela abaixo fornece uma síntese das etapas a serem seguidas para configurar o suporte de voz no gateway de mídia.

Etapa	Tarefa	Etapa	Tarefa
1	Conexão das portas FXO e FXS.	7	Configuração do tronco.
2	Acesso à interface J-Web.	8	Configuração dos grupos de troncos.
3	Configuração da classe de restrição.	9	Criação de um plano de discagem.
4	Configuração da estação SIP.	10	Configuração do gateway de mídia.
5	Configuração da estação analógica.	11	Configuração do servidor de chamadas de sobrevivência.
6	Configuração do servidor de chamadas ponto a ponto.		

Parte 1: conexão das Portas FXO e FXS

1. Conecte uma Porta FXS (FXS1 ou FXS2) do dispositivo em um dispositivo analógico como telefone, fax ou modem usando um cabo RJ-11.
2. Conecte uma porta FXO (FXO1 ou FXO2) do dispositivo nos switches da central local (CO) ou em uma porta de estação de um PSTN usando um cabo RJ-11.
3. Conecte um cabo Ethernet de qualquer uma das portas PoE (ge-0/0/0, ge-0/0/1, fe-0/0/2, fe-0/0/3) no telefone VoIP.

Parte 2: acesso à Interface J-Web

1. Inicie um navegador da web no dispositivo de gerenciamento.
2. Entre usando as credenciais definidas na configuração inicial descritas na seção "Conexão e configuração do Gateway de Serviços J-SRX210".
3. A página do J-Web Dashboard é exibida.

Parte 3: configuração da Classe de restrição

Configure a classe de restrição para definir a norma que rege a especificação das permissões dos tipos de chamadas:

1. Selecione **Configure > Convergence Services > Station > Class of Restriction**. A página Class of Restriction Configuration (Configuração da classe de restrição) é exibida.
2. Clique em **Add** para criar uma nova classe de restrição. A página New Class of Restriction é exibida.
3. Digite o nome no campo Class of Restriction.
4. Clique em **Add** para adicionar uma nova norma à classe de restrição sendo criada. A página New Policy Configuration é exibida.
5. Execute o seguinte:

Campo	Ação
Policy Name	Especifique um nome para a norma.
Available Call Types	Selecione os tipos de chamada que se aplicam à sua definição.
Permissions	Defina permissões nos tipos de chamada selecionados.

NOTA: como padrão, somente as chamadas entre ramais e chamadas de emergência são permitidas.

Parte 4: configuração da estação SIP

NOTA: ao fazer a configuração inicial do dispositivo não é necessário configurar os modelos da estação. Você pode usar os valores padrão.

1. Selecione **Configure > Convergence Services > Station**. A página Station Configuration é exibida.
2. Clique em **Add** para adicionar a nova estação e executar as seguintes ações básicas obrigatórias:

Campo	Ação
Name	Especifique um nome para a estação.
Extensions	Digite o número do ramal da estação.
Class of Restriction	Selecione a classe de restrição já configurada.
Template Name	Selecione o modelo de estação já definido.

Os modelos analógicos podem ser configurados para que sejam iguais e possam compartilhar uma configuração comum.

Parte 5: configuração da Estação analógica

1. Selecione **Configure > Convergence Services > Station**. A página Station Configuration é exibida.
2. Clique em **Add** para adicionar a nova estação e executar as seguintes ações básicas obrigatórias:

Campo	Ação
Name	Especifique um nome para a estação.
Extensions	Digite o número do ramal da estação.
Class of Restriction	Selecione a classe de restrição já configurada.

Campo	Ação
Template Name	Selecione o modelo de estação já definido.
TDM Interface	Especifique o tipo de interface TDM a ser configurada (FXO, FSX ou T1).

NOTA: você pode configurar as estações SIP individuais da mesma forma para que possam compartilhar uma configuração comum.

Parte 6: configuração do Peer Call Server (Servidor de chamadas ponto a ponto)

Configure o servidor de chamadas ponto a ponto que fornece o roteamento de chamadas e os serviços de manipulação de chamadas:

1. Selecione **Configure > Convergence Services > Call Server**. A página Peer Call Server Configuration é exibida.
2. Execute as seguintes ações básicas obrigatórias:

Campo	Ação
Name	Especifique o nome do servidor de chamadas ponto a ponto.
PSTN Access Number	Especifique o número de PSTN externo do servidor de chamadas de sobrevivência se for preciso contatar o PSTN diretamente.
Address Type	Selecione o tipo de endereço como fqdn ou ipv4-address .
FQDN	Digite o nome de domínio totalmente qualificado.
IP Address	Digite o endereço IP do servidor de chamadas ponto a ponto.

NOTA: ao configurar o servidor de chamadas ponto a ponto:

- Para que o dispositivo se autentique automaticamente com o servidor de chamadas ponto a ponto, pode ser preciso fornecer os detalhes de senha e ID do usuário do dispositivo que foram informados pelo administrador do servidor de chamadas ponto a ponto.
- Você pode aceitar os valores padrão nos campos Port (5060) e Transport (UDP).
- Ao fazer a configuração inicial do dispositivo não é necessário especificar o codec. O conjunto padrão de codecs é usado. Como padrão, os codecs são especificados na seguinte ordem: 711-μ, G711-A, G729AB.

Parte 7: configuração de um Tronco

Configure um tronco para uma interface de Multiplexação por Divisão do Tempo (Time-Division Multiplexing -TDM) PSTN a ser usada pelo dispositivo ou pelo servidor de chamadas de sobrevivência para rotear as chamadas para o destino.

1. Selecione **Configure > Convergence Services > Gateway > Trunks**. A página New Trunk Configuration é exibida.
2. Execute o seguinte:

Campo	Ação
Trunk Name	Digite um nome para o tronco.
Trunk Type	Selecione o tipo de tronco (FXO, FXS ou T1).
TDM Interface	Selecione o tipo de interface TDM a ser configurada (FXO, FSX ou T1) para o roteamento de determinados tipos de chamadas.

Parte 8: configuração de Grupos de troncos

Um grupo de troncos consiste de vários troncos especificados na ordem de precedência em que devem ser selecionados para rotear uma chamada.

1. Selecione **Configure > Convergence Services > Gateway > Trunk Groups**. A página Trunk Group Configuration é exibida.
2. Clique em **Add** para adicionar um novo grupo de troncos e executar as seguintes ações obrigatórias:

Campo	Ação
Name	Especifique um nome para o grupo de troncos.
Available Trunks	Selecione os tipos de troncos que se aplicam à sua definição.

Parte 9: criação de um Plano de discagem

Crie um plano de discagem para que o servidor de chamadas ponto a ponto faça o roteamento de chamadas externas feitas por telefones SIP/estações analógicas do ramal para o PSTN:

1. Selecione **Configure > Convergence Services > Dial Plan** e clique em **Dial Plan**. A página Dial Plan Configuration é exibida.
2. Clique em **Add** para criar um novo plano de discagem. A página New Dial Plan Configuration é exibida.
3. Digite um nome no campo Dial Plan Name e clique em **Add**. A página New Route Pattern Configuration é exibida.
4. Execute as seguintes ações básicas obrigatórias:

Campo	Ação
Route Pattern	Especifique o nome do padrão da rota.
Call Type	Selecione o tipo de chamada. O padrão é chamada-tronco.
Trunk-groups	Selecione os grupos de troncos pré-configurados a serem incluídos no padrão da rota.

NOTA: você pode aceitar os valores padrão dos campos Preference e Digit Manipulation.

Parte 10: configuração do Gateway de mídia

Configure o gateway de mídia para que os usuários possam fazer chamadas dentro do ramal e externamente quando o servidor de chamadas ponto a ponto estiver acessível para fornecer o roteamento de chamadas e outros serviços de manipulação de chamadas:

1. Selecione **Configure > Convergence Services > Media Gateway > Gateway**. A página Media Gateway Configuration é exibida.
2. Clique em **Add** e digite as seguintes configurações obrigatórias:

Campo	Ação
Media Gateway	Especifique o nome do dispositivo.
Call Server	Selecione um servidor de chamadas ponto a ponto com o qual se associar.
Dial Plan	Selecione um plano de discagem pré-configurado.
Zone	Especifique o ponto de serviço da zona do dispositivo para que o gateway de mídia e o servidor de chamadas de sobrevivência recebam os serviços da zona especificada.

NOTA: você pode aceitar os valores padrão nos campos Port (5060) e Transport (UDP).

Parte 11: configuração do Servidor de chamadas de sobrevivência

Este servidor assume as responsabilidades do servidor de chamadas ponto a ponto quando o servidor de chamadas ponto a ponto não puder ser contatado.

1. Selecione **Configure > Convergence Services > Call Service**. A página Survivable Call Service é exibida.
2. Clique em **Add** para acrescentar um novo serviço de chamadas e executar as seguintes ações básicas obrigatórias:

Campo	Ação
Call Service Name	Especifique o nome do serviço de chamadas.
Call Server	Selecione o servidor de chamadas ponto a ponto.
Dial Plan	Selecione o plano de discagem pré-configurado a ser usado como servidor de chamadas de sobrevivência.
Zone	Especifique o nome da zona.

NOTA: os demais parâmetros necessários para configurar o serviço de chamadas são opcionais e você pode aceitar os valores padrão definidos para esses parâmetros.

Desligamento do dispositivo

Você pode desligar o dispositivo de uma das seguintes maneiras:

- Desligamento progressivo — pressione e solte imediatamente o botão Power. O dispositivo começa a desligar progressivamente o sistema operacional.
- Desligamento imediato — mantenha o botão Power pressionado por 10 segundos. O dispositivo é desligado imediatamente. Pressione o botão Power novamente para ligar o dispositivo.

NOTA: para reinicializar ou parar o sistema na J-Web selecione **Maintain > Reboot**.

Para mais informações de configuração, consulte *Branch SRX Series Services Gateways Golden Configurations* no <http://www.juniper.net/us/en/local/pdf/app-notes/3500153-en.pdf>.

Para informações detalhadas da configuração de software, consulte a documentação do software disponível no <http://www.juniper.net/techpubs/software/junos-srx/index.html>.

Contato da Dell

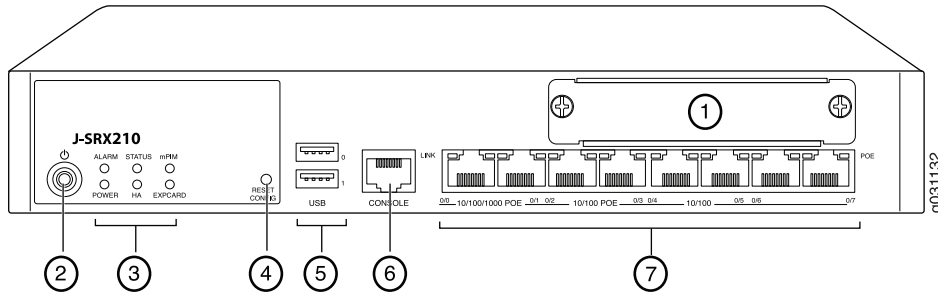
Para suporte técnico, acesse <http://www.support.dell.com>.



Inicio rápido de la puerta de enlace de servicios J-SRX210 de la serie J PowerConnect de Dell

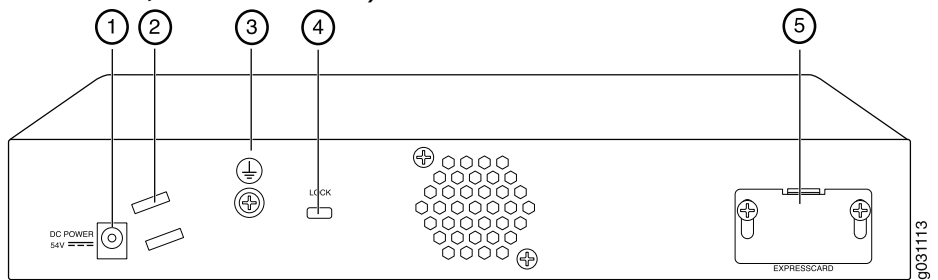
Use las instrucciones de este inicio rápido para conectar a la red la puerta de enlace de servicios J-SRX210 de la serie J PowerConnect de Dell. Para obtener detalles, consulte la *J-SRX210 Services Gateway Hardware Guide* en <http://www.support.dell.com/manuals>. (Número de modelo normativo SRX210)

Panel frontal de la puerta de enlace de servicios J-SRX210 (J-SRX210B, J-SRX210H, J-SRX210H-POE)



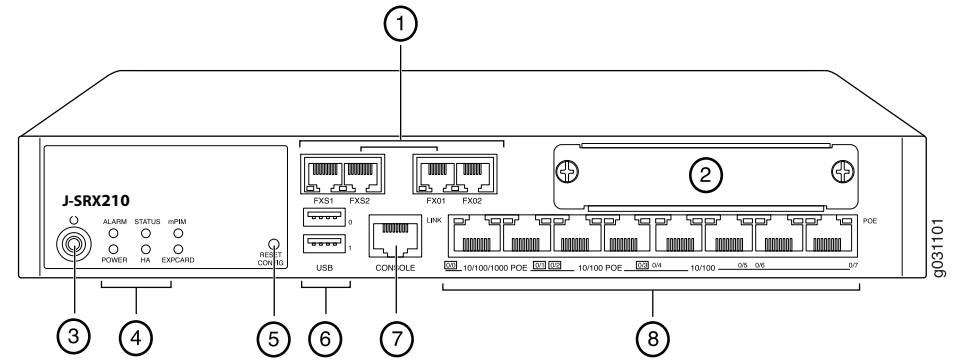
Leyenda	Descripción	Leyenda	Descripción
1	Ranura del mini-PIM	5	Puertos USB
2	Botón Power	6	Puerto Console
3	LED (ALARM, POWER, STATUS, HA, mPIM, EXPCARD)	7	Puertos Gigabit Ethernet (0/0 y 0/1) y Fast Ethernet (0/2 a 0/7)
4	Botón Reset Config		

Panel trasero de la puerta de enlace de servicios J-SRX210 (J-SRX210B, J-SRX210H, J-SRX210H-POE)



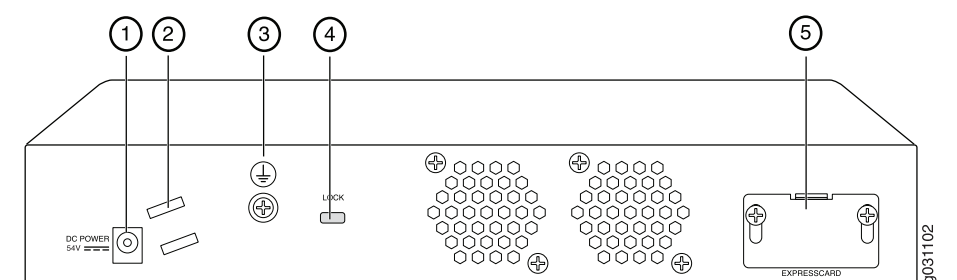
Leyenda	Descripción	Leyenda	Descripción
1	Entrada de la fuente de alimentación	4	Bloqueo para cable de seguridad
2	Sujetador de cable	5	Ranura para ExpressCard
3	Punto de conexión a tierra		

Panel frontal de la puerta de enlace de servicios J-SRX210 con servicios de convergencia integrados (J-SRX210H-P-MGW)



Leyenda	Descripción	Leyenda	Descripción
1	Puertos de voz FXS y FXO	5	Botón Reset Config
2	Ranura del mini-PIM	6	Puertos USB
3	Botón de Power	7	Puerto Console
4	LED (ALARM, POWER, STATUS, HA, mPIM, EXPCARD)	8	Puertos Gigabit Ethernet (0/0 y 0/1) y Fast Ethernet (0/2 a 0/7)

Panel trasero de la puerta de enlace de servicios J-SRX210 con servicios de convergencia integrados (J-SRX210H-P-MGW)



Leyenda	Descripción	Leyenda	Descripción
1	Entrada de la fuente de alimentación	4	Bloqueo para cable de seguridad
2	Sujetador de cable	5	Ranura para ExpressCard
3	Punto de conexión a tierra		



530-036269 REV 01

Modelos de la puerta de enlace de servicios J-SRX210

Los siguientes cuatro modelos de la puerta de enlace de servicios J-SRX210 se encuentran disponibles:

Dispositivo	Memoria DDR	Alimentación a través de Ethernet	Compatibilidad de voz
J-SRX210B	512 MB	No	No
J-SRX210H	1 GB	No	No
J-SRX210H-POE	1 GB	Sí	No
J-SRX210H-P-MGW	1 GB	Sí	Sí

NOTA: Los modelos J-SRX210H-PoE y J-SRX210H-P-MGW son compatibles con una alimentación a través de Ethernet (PoE, por sus siglas en inglés) de 50 vatios en 4 puertos (ge-0/0/0, ge-0/0/1, fe-0/0/2 y fe-0/0/3).

Conexión y configuración de la puerta de enlace de servicios J-SRX210

Use las siguientes instrucciones para conectar y configurar cualquier modelo de la puerta de enlace de servicios J-SRX210, para proteger su red. Observe los LED en el panel frontal del dispositivo para determinar el estado en el que se encuentra este último.

Parte 1: Conecte la puerta de enlace de servicios a una conexión a tierra

1. Obtenga un cable de conexión a tierra (trenza única de 14 AWG, 4 A) con un terminal TV14-6R aislado con vinilo, de tipo anillo o uno equivalente instalado por un electricista autorizado.
2. Conecte el cable de conexión a tierra a una conexión a tierra correcta.
3. Coloque el terminal del cable de conexión a tierra sobre el punto de conexión a tierra en la parte superior trasera del chasis y fíjelo con un tornillo UNC 6-32.

Parte 2: Conecte el cable de alimentación al dispositivo

Conecte el cable de alimentación al dispositivo y a una fuente de alimentación. Recomendamos usar un protector contra sobretensiones. Observe las siguientes indicaciones:

- LED POWER (verde): El dispositivo está recibiendo alimentación.
- LED STATUS (verde): El dispositivo está funcionando con normalidad.
- LED ALARM (ámbar): El dispositivo está funcionando con normalidad y es posible que se encienda en color ámbar, dado que no se ha definido una configuración de rescate. Ésta no es una condición de emergencia.
- LED mPIM (apagado): El minimódulo de interfaz física (Mini-Physical Interface Module o Mini-PIM) no se encuentra o el dispositivo no lo detecta. Si el LED está verde y su iluminación es constante, esto indica que el Mini-PIM está funcionando con normalidad.

NOTA: Una vez definida una configuración de rescate, un LED ALARM ámbar indica una alarma leve y un LED ALARM rojo continuo indica que hay un problema grave en la puerta de enlace de servicios.

NOTA: Debe dejar que el dispositivo se inicie entre 5 y 7 minutos luego de haberlo encendido. Espere hasta que el LED STATUS esté de color verde continuo antes de continuar con la siguiente parte.

Parte 3: Conecte el dispositivo de administración

Conecte el dispositivo de administración a la puerta de enlace de servicios utilizando cualquiera de los métodos que aparecen a continuación:

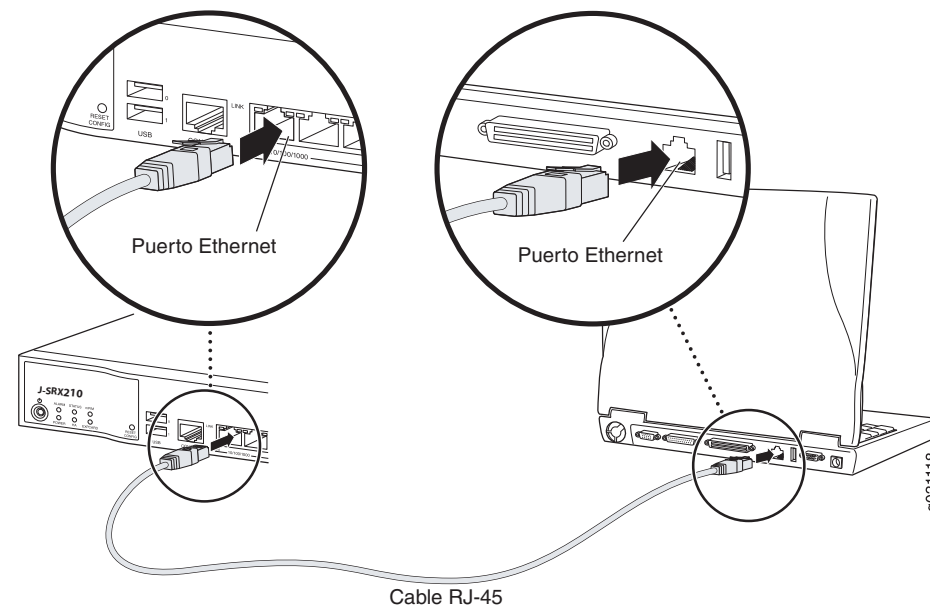
- Conecte un cable RJ-45 (cable Ethernet) desde uno de los siguientes puertos del panel frontal al puerto Ethernet del dispositivo de administración (estación de trabajo u ordenador portátil):
 - ge-0/0/1
 - fe-0/0/2 a fe-0/0/7

Recomendamos usar este método de conexión. Si usa este método para conectarse, continúe con la Parte 4.

- Conecte un cable RJ-45 (cable Ethernet) desde el puerto etiquetado CONSOLE al adaptador DB-9 que se proporciona, que luego se conecta al puerto serie del dispositivo de administración. (Ajustes del puerto serie: **9600 8-N-1**).

Si usa este método para conectarse, continúe con las instrucciones de configuración de CLI disponibles en el archivo *Branch SRX Series Services Gateways Golden Configurations* en <http://www.juniper.net/us/en/local/pdf/app-notes/3500153-en.pdf>.

Consulte la ilustración que aparece a continuación para ver los detalles de conexión de una interfaz de administración.



Parte 4: Qué son los ajustes de configuración predeterminados

La puerta de enlace de servicios J-SRX210 es un dispositivo de enrutamiento seguro que requiere que estos ajustes básicos de configuración funcionen adecuadamente:

- Se deben asignar direcciones IP a las interfaces.
- Las interfaces se deben asociar a zonas.
- Es necesario configurar directivas entre zonas para permitir/denegar tráfico.
- Se deben establecer las reglas de NAT de origen.

El dispositivo tiene la siguiente configuración predeterminada establecida al encenderlo por primera vez. Para poder usar el dispositivo, no es necesario hacer ninguna configuración inicial.

AJUSTES PREDETERMINADOS DE FÁBRICA PARA INTERFACES

Etiqueta del puerto	Interfaz	Zona de seguridad	Estado de DHCP	Dirección IP
0/0	ge-0/0/0	untrust	cliente	sin asignación
0/1 y 0/2 a 0/7	ge-0/0/1 y fe-0/0/2 a fe-0/0/7	trust	servidor	192.168.1.1/24

AJUSTES PREDETERMINADOS DE FÁBRICA PARA DIRECTIVAS DE SEGURIDAD

Zona de origen	Zona de destino	Acción de la directiva
trust	untrust	permitir
trust	trust	permitir
untrust	trust	denegar

AJUSTES PREDETERMINADOS DE FÁBRICA PARA LA REGLA DE NAT

Zona de origen	Zona de destino	Acción de la directiva
trust	untrust	NAT de origen a la interfaz de la zona untrust

Parte 5: Asegúrese de que el dispositivo de administración adquiera una dirección IP

Luego de conectar el dispositivo de administración a la puerta de enlace de servicios, el proceso del servidor DHCP en esta última asignará una dirección IP automáticamente al dispositivo de administración. Asegúrese de que el dispositivo de administración adquiera una dirección IP en la subred **192.168.1/24** (distinta de **192.168.1.1**) del dispositivo.

NOTA:

- La puerta de enlace de servicios funciona como un servidor DHCP y asignará una dirección IP al dispositivo de administración.
- Si no se asigna una dirección IP al dispositivo de administración, configure manualmente una dirección IP en la subred **192.168.1.0/24**. No le asigne la dirección IP **192.168.1.1** al dispositivo de administración, ya que esta dirección IP se asigna al dispositivo. El servidor DHCP está habilitado de manera predeterminada en la interfaz L3 VLAN, (IRB) vlan.0 (ge-0/0/1 y fe-0/0/2 a fe-0/0/7), que está configurada con una dirección IP **192.168.1.1/24**.
- Al encender por primera vez la puerta de enlace de servicios J-SRX210, ésta se inicia con la configuración predeterminada de fábrica.

Parte 6: Asegúrese de que la puerta de enlace de servicios tenga una dirección IP asignada

Use uno de los siguientes métodos para obtener una dirección IP en la puerta de enlace de servicios:

MÉTODO 1: OBTENCIÓN DE UNA DIRECCIÓN IP DINÁMICA EN SU PUERTA DE ENLACE DE SERVICIOS

Use el puerto ge-0/0/0 para conectarse a su proveedor de servicios de Internet (ISP, por sus siglas en inglés). Su ISP asignará una dirección IP mediante el proceso DHCP.

Si utiliza este método para obtener una dirección IP en su puerta de enlace de servicios, continúe con los pasos de la parte 7 a la 10 de este documento para configurar su dispositivo y pasar el tráfico.

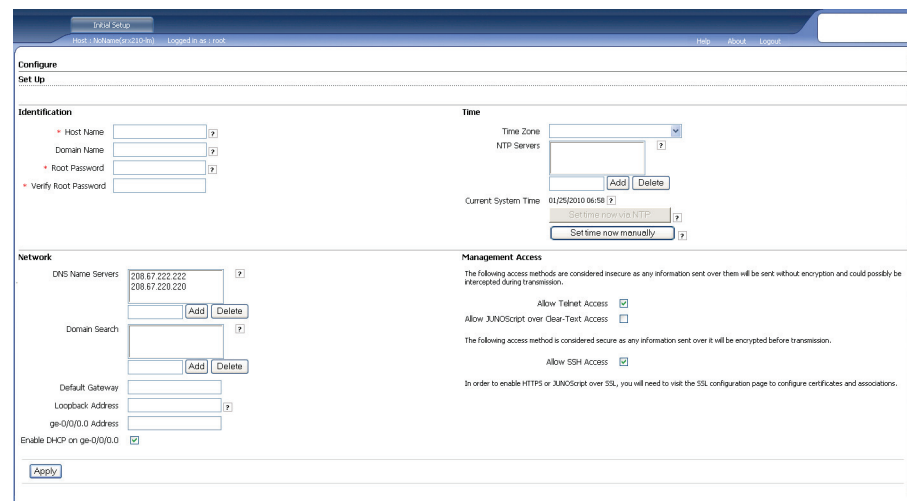
MÉTODO 2: OBTENCIÓN DE UNA DIRECCIÓN IP ESTÁTICA EN SU PUERTA DE ENLACE DE SERVICIOS

Use el puerto ge-0/0/0 para conectarse a su ISP. Su ISP habrá proporcionado una dirección IP estática. No recibirá una dirección IP mediante el proceso DHCP.

Si usa este método para obtener una dirección IP en su puerta de enlace de servicios, siga las instrucciones de la parte 7 a la 10 de este documento.

Parte 7: Acceda a la interfaz de J-Web

1. Inicie un explorador Web desde el dispositivo de administración.
2. Introduzca **http://192.168.1.1** en el campo de dirección URL. Se muestra la página de inicio de sesión J-Web.
3. Especifique el nombre de usuario predeterminado como **root**. No introduzca ningún valor en el campo Password.
4. Haga clic en **Log In**. Se muestra la página J-Web Initial Setup.



Parte 8: Configure los ajustes básicos

Configure los ajustes básicos como Host Name, Domain Name y Root Password para su puerta de enlace de servicios.

IMPORTANTE: Asegúrese de tener configurada la dirección IP y la contraseña raíz antes de aplicar la configuración.

NOTA: Todos los campos marcados con un asterisco (*) son obligatorios.

Si ha utilizado el método 2 en la parte 6 para obtener una dirección IP en su puerta de enlace de servicios, asegúrese de hacer las siguientes modificaciones de J-Web:

1. Anule la selección de la casilla de verificación **Enable DHCP on ge-0/0/0.0**.
2. Introduzca la dirección IP manual proporcionada por su ISP en el campo de la dirección **ge-0/0/0.0**. La dirección IP se debe introducir en formato *a.b.c.d/xx*, donde *xx* es la máscara de subred.
3. Introduzca la dirección IP de la puerta de enlace en el campo Default Gateway. La dirección IP para la puerta de enlace también la proporciona el ISP.
4. Introduzca los nombres de servidores en el campo **DNS name servers**. Su ISP proporcionará los nombres de los servidores.
5. Aplique la configuración.

Parte 9: Aplique la configuración básica

1. Haga clic en **Commit** para guardar la configuración básica.
2. Haga clic en **Apply** para aplicar la configuración básica.

NOTA: Para hacer cambios a la configuración de interfaz, consulte el archivo *Branch SRX Series Services Gateways Golden Configurations* en <http://www.juniper.net/us/en/local/pdf/app-notes/3500153-en.pdf>.

Parte 10: Verifique la configuración

Ingrese a <http://www.support.dell.com> para asegurarse de que esté conectado a Internet. Esta conectividad garantiza que puede pasar tráfico por la puerta de enlace de servicios.

NOTA: Si la página <http://www.support.dell.com> no se carga, verifique sus ajustes de configuración y asegúrese de haber aplicado la configuración.

Luego de haber completado estos pasos, puede pasar tráfico de cualquier puerto trust al puerto untrust.

Conexión y configuración de la puerta de enlace de servicios J-SRX210 con servicios de convergencia integrados

Si posee un modelo J-SRX210H-P-MGW, use las instrucciones que aparecen a continuación para configurar la compatibilidad de voz en la puerta de enlace de medios y comience a usar su dispositivo para realizar y recibir llamadas.

La siguiente tabla proporciona una descripción general de los pasos que debe seguir para configurar la compatibilidad de voz en la puerta de enlace de medios.

Paso	Tarea	Paso	Tarea
1	Conecte los puertos FXO y FXS.	7	Configure el puerto troncal.
2	Obtenga acceso a la interfaz de J-Web.	8	Configure los grupos de puertos troncales.
3	Configure la clase de restricción.	9	Cree el plan de marcación.
4	Configure la estación SIP.	10	Configure la puerta de enlace de medios.
5	Configure la estación analógica.	11	Configure el servidor de llamadas recuperables.
6	Configure el servidor de llamadas entre pares.		

Parte 1: Conecte los puertos FXS y FXO

1. Conecte un puerto FXS (FXS1 o FXS2) del dispositivo a un dispositivo analógico como un teléfono, fax o módem mediante un cable RJ-11.
2. Conecte un puerto FXO (FXO1 o FXO2) del dispositivo a los conmutadores de la oficina central (OC) o a un puerto de estación en una PSTN mediante un cable RJ-11.
3. Conecte un cable Ethernet desde cualquiera de los puertos PoE (ge-0/0/0, ge-0/0/1, fe-0/0/2, fe-0/0/3) a la telefonía por Internet (VoIP).

Parte 2: Acceda a la interfaz de J-Web

1. Inicie un explorador Web desde el dispositivo de administración.
2. Inicie sesión con las credenciales que estableció en la configuración inicial descrita en la sección "Conexión y configuración de la puerta de enlace de servicios J-SRX210".
3. Se muestra la página J-Web Dashboard.

Parte 3: Configure la clase de restricción

Configure la clase de restricción para definir la directiva dedicada a especificar los permisos del tipo de llamada:

1. Seleccione **Configure > Convergence Services > Station > Class of Restriction**. Se muestra la página Class of Restriction Configuration.
2. Haga clic en **Add** para crear una nueva clase de restricción. Se muestra la página New Class of Restriction.
3. Introduzca el nombre en el campo Class of Restriction.
4. Haga clic en **Add** para agregar una nueva directiva a la clase de restricción que está creando. Se muestra la página New Policy Configuration.
5. Realice las siguientes acciones:

Campo	Acción
Policy Name	Especifique un nombre para la directiva.
Available Call Types	Seleccione los tipos de llamadas aplicables a su configuración.
Permissions	Configure los permisos (permitir o denegar) en los tipos de llamadas seleccionados.

NOTA: De manera predeterminada, sólo se permiten las llamadas entre sucursales y de emergencia.

Parte 4: Configure la estación SIP

NOTA: No es necesario configurar las plantillas de estación para la configuración inicial del dispositivo. Puede usar los valores predeterminados.

1. Seleccione **Configure > Convergence Services > Station**. Se muestra la página Station Configuration.
2. Haga clic en **Add** para agregar la nueva estación y realice las siguientes acciones básicas obligatorias:

Campo	Acción
Name	Especifique un nombre para la estación.
Extensions	Introduzca el número de extensión de la estación.
Class of Restriction	Seleccione la clase de restricción ya configurada.
Template Name	Seleccione la plantilla de estación ya definida.

Puede configurar las plantillas analógicas para que sean similares, de modo que puedan compartir una configuración común.

Parte 5: Configure la estación analógica

1. Seleccione **Configure > Convergence Services > Station**. Se muestra la página Station Configuration.
2. Haga clic en **Add** para agregar la nueva estación y realice las siguientes acciones básicas obligatorias:

Campo	Acción
Name	Especifique un nombre para la estación.
Extensions	Introduzca el número de extensión de la estación.
Class of Restriction	Seleccione la clase de restricción ya configurada.

Campo	Acción
Template Name	Seleccione la plantilla de estación ya definida.
TDM Interface	Especifique el tipo de interfaz de TDM para configurarla (FXO, FXS o T1).

NOTA: Puede configurar las estaciones SIP individuales de manera similar, de modo que puedan compartir una configuración común.

Parte 6: Configure el servidor de llamadas entre pares

Configure el servidor de llamadas entre pares que proporciona los servicios de enrutamiento y manejo de llamadas para el dispositivo:

1. Seleccione **Configure > Convergence Services > Call Server**. Se muestra la página Peer Call Server Configuration.
2. Realice las siguientes acciones básicas obligatorias:

Campo	Acción
Name	Especifique el nombre para el servidor de llamadas entre pares.
PSTN Access Number	Especifique el número de PSTN externa del servidor de llamadas recuperables para usarlo si se debe comunicar directamente con la PSTN.
Address Type	Seleccione el tipo de dirección como fqdn o ipv4-address .
FQDN	Introduzca el nombre de dominio completo.
IP Address	Introduzca la dirección IP del servidor de llamadas entre pares.

NOTA: Al configurar el servidor de llamadas entre pares:

- Para que el dispositivo se autentique por sí mismo con el servidor de llamadas entre pares, es posible que deba proporcionar los detalles de la contraseña e ID del usuario del dispositivo proporcionados por el administrador del servidor de llamadas entre pares.
- Puede aceptar los valores predeterminados de los campos Port (5060) y Transport (UDP).
- No es necesario especificar el códec para la configuración inicial del dispositivo. Se usa el conjunto de códecs predeterminado. De manera predeterminada, los códecs se especifican en el siguiente orden: 711-μ, G711-A, G729AB.

Parte 7: Configure un puerto troncal

Configure un puerto troncal para una interfaz de multiplexación por división de tiempo (TDM) de PSTN para que la utilice el dispositivo o el servidor de llamadas recuperables para enrutar llamadas al destino.

1. Seleccione **Configure > Convergence Services > Gateway > Trunks**. Se muestra la página New Trunk Configuration.
2. Realice las siguientes acciones:

Campo	Acción
Trunk Name	Introduzca un nombre para el puerto troncal.
Trunk Type	Seleccione el tipo de puerto troncal (FXO, FXS o T1).
TDM Interface	Seleccione el tipo de interfaz de TDM para configurarla (FXO, FXS o T1) para el enrutamiento de algunos tipos de llamadas.

Parte 8: Configure los grupos de puertos troncales

Un grupo de puertos troncales incluye varios puertos troncales especificados en orden de prioridad, donde se deben seleccionar para enrutar una llamada.

1. Seleccione **Configure > Convergence Services > Gateway > Trunk Groups**. Se muestra la página Trunk Group Configuration.
2. Haga clic en **Add** para crear un nuevo grupo de puertos troncales y realice las siguientes acciones obligatorias:

Campo	Acción
Name	Especifique un nombre para el grupo de puertos troncales.
Available Trunks	Seleccione los puertos troncales aplicables a su configuración.

Parte 9: Cree el plan de marcación

Cree el plan de marcación para habilitar el servidor de llamadas entre pares para enrutar llamadas salientes realizadas desde teléfonos SIP/estaciones analógicas en la sucursal a su PSTN.

1. Seleccione **Configure > Convergence Services > Dial Plan** y haga clic en **Dial Plan**. Se muestra la página Dial Plan Configuration.
2. Haga clic en **Add** para crear un nuevo plan de marcación. Se muestra la página New Dial Plan Configuration.
3. Ingrese un nombre en el campo Dial Plan Name y haga clic en **Add**. Se muestra la página New Route Pattern Configuration.
4. Realice las siguientes acciones básicas obligatorias:

Campo	Acción
Route Pattern	Especifique el nombre del patrón de ruta.
Call Type	Seleccione el tipo de llamada. La llamada de puertos troncales es la predeterminada.
Trunk-groups	Seleccione los grupos de puertos troncales preconfigurados para incluirlos en el patrón de ruta.

NOTA: Puede aceptar los valores predeterminados para los campos Preference y Digit Manipulation.

Parte 10: Configure la puerta de enlace de medios

Configure la puerta de enlace de medios para habilitar a los usuarios para que realicen llamadas dentro y fuera de la sucursal cuando el servidor de llamadas entre pares esté accesible, a fin de proporcionar el enrutamiento de llamadas y otros servicios de manejo de llamadas:

1. Seleccione **Configure > Convergence Services > Media Gateway > Gateway**. Se muestra la página Media Gateway Configuration.
2. Haga clic en **Add** e introduzca los nuevos ajustes obligatorios:

Campo	Acción
Media Gateway	Especifique el nombre del dispositivo.
Call Server	Seleccione un servidor de llamadas entre pares con el cual establecer la asociación.
Dial Plan	Seleccione un plan de marcación preconfigurado.
Zone	Especifique el punto de servicio de la zona del dispositivo para habilitar los servicios de puerta de enlace de medios y servidor de llamadas recuperables para la zona especificada.

NOTA: Puede aceptar los valores predeterminados de los campos Port (5060) y Transport (UDP).

Parte 11: Configure el servidor de llamadas recuperables

Este servidor asume las responsabilidades del servidor de llamadas entre pares cuando este último se encuentra inaccesible:

1. Seleccione **Configure > Convergence Services > Call Service**. Se muestra la página Survivable Call Service.
2. Haga clic en **Add** para crear un nuevo servicio de llamadas y realice las siguientes acciones básicas obligatorias:

Campo	Acción
Call Service Name	Especifique el nombre para el servicio de llamadas.
Call Server	Seleccione el nombre del servidor de llamadas entre pares.
Dial Plan	Seleccione el plan de marcación preconfigurado que se usará para el servidor de llamadas recuperables.
Zone	Especifique el nombre para la zona.

NOTA: Todos los demás parámetros necesarios para configurar el servicio de llamadas son opcionales y puede aceptar los valores predeterminados establecidos para estos parámetros.

Apagado del dispositivo

Puede apagar el dispositivo de una de las siguientes maneras:

- Apagado correcto: Presione y suelte inmediatamente el botón Power. El dispositivo comienza a apagar correctamente el sistema operativo.
- Apagado inmediato: Mantenga presionado el botón Power durante 10 segundos. El dispositivo se apaga inmediatamente. Presione el botón Power nuevamente para encender el dispositivo.

NOTA: Puede reiniciar o detener el sistema en la interfaz de J-Web al seleccionar **Maintain > Reboot**.

Para obtener información adicional sobre la configuración, consulte el archivo *Branch SRX Series Services Gateways Golden Configurations* en <http://www.juniper.net/us/en/local/pdf/app-notes/3500153-en.pdf>.

Para obtener información detallada sobre la configuración del software, consulte la documentación del software, que se encuentra disponible en <http://www.juniper.net/techpubs/software/junos-srx/index.html>.

Cómo comunicarse con Dell

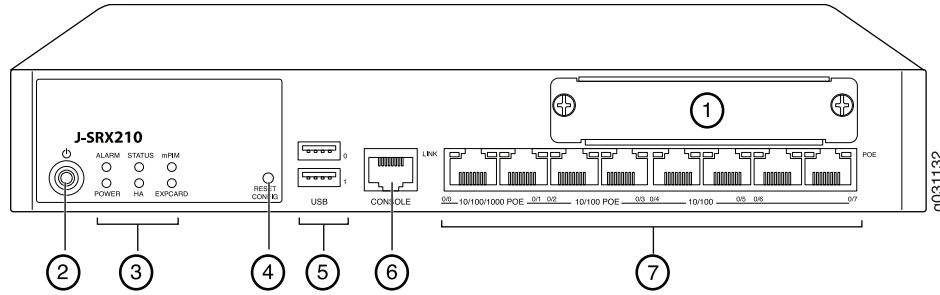
Para obtener asistencia técnica, consulte <http://www.support.dell.com>.



Dell PowerConnect J-Series J-SRX210 Hizmetler Ağ Geçidi Hızlı Başlangıç

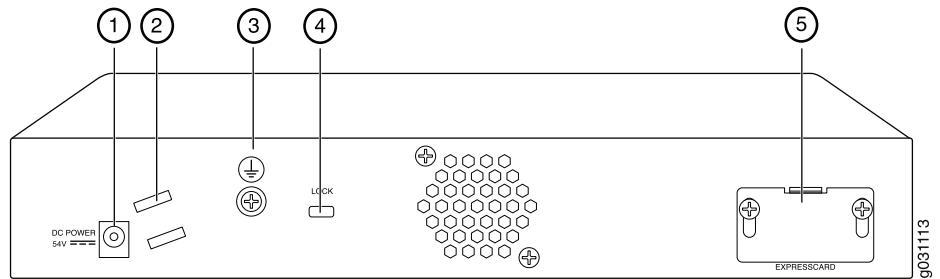
Bu hızlı başlangıç kılavuzundaki bilgiler, Dell PowerConnect J-Series J-SRX210 Hizmetler Ağ Geçidini ağınıza bağlama konusunda size yardımcı olacaktır. Ayrıntılar için *J-SRX210 Services Gateway Hardware Guide* belgesini <http://www.support.dell.com/manuals> adresinde inceleyebilirsiniz. (Model denetim numarası SRX210)

J-SRX210 Hizmetler Ağ Geçidi (J-SRX210B, J-SRX210H, J-SRX210H-POE) Ön Paneli



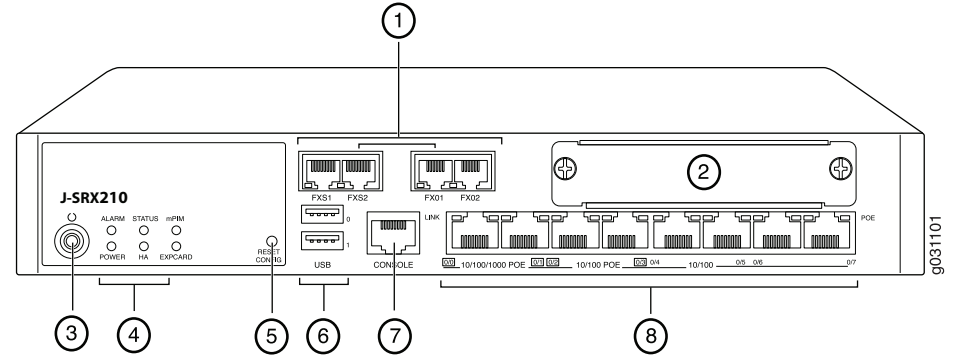
No	Açıklama	No	Açıklama
1	Mini-PIM yuvası	5	USB bağlantı noktaları
2	"Power" düğmesi	6	Denetim masası bağlantı noktası
3	LED'ler (ALARM, POWER, STATUS, HA, mPIM, EXPCARD)	7	Gigabit Ethernet (0/0 ve 0/1) ve Fast Ethernet (0/2 - 0/7) bağlantı noktaları
4	Reset Config düğmesi		

J-SRX210 Hizmetler Ağ Geçidi (J-SRX210B, J-SRX210H, J-SRX210H-POE) Arka Paneli



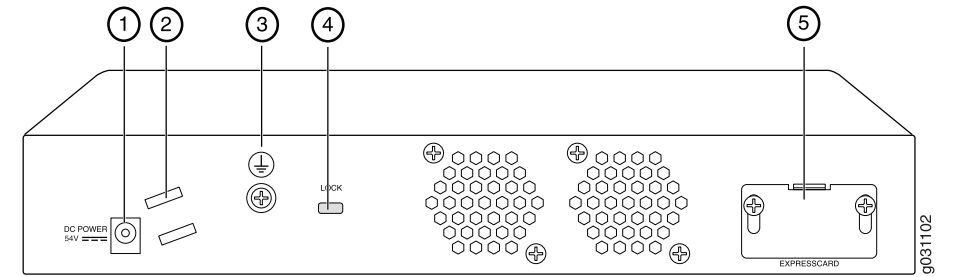
No	Açıklama	No	Açıklama
1	Güç kaynağı girişi	4	Güvenlik kablosu için kilit
2	Kablo bağı tutucusu	5	ExpressCard yuvası
3	Topraklama noktası		

Yakınsama Hizmetiyle Bütünleşik J-SRX210 Hizmetler Ağ Geçidi (J-SRX210H-P-MGW) Ön Paneli



No	Açıklama	No	Açıklama
1	FXS ve FXO ses bağlantı noktaları	5	Reset Config düğmesi
2	Mini-PIM yuvası	6	USB bağlantı noktaları
3	"Power" düğmesi	7	Denetim masası bağlantı noktaları
4	LED'ler (ALARM, POWER, STATUS, HA, mPIM, EXPCARD)	8	Gigabit Ethernet (0/0 ve 0/1) ve Fast Ethernet (0/2 - 0/7) bağlantı noktaları

Yakınsama Hizmetiyle Bütünleşik J-SRX210 Hizmetler Ağ Geçidi (J-SRX210H-P-MGW) Arka Paneli



No	Açıklama	No	Açıklama
1	Güç kaynağı girişi	4	Güvenlik kablosu için kilit
2	Kablo bağı tutucusu	5	ExpressCard yuvası
3	Topraklama noktası		



530-036269 REV 01

J-SRX210 Hizmetler Ağ Geçidi Modelleri

Aşağıdaki dört adet J-SRX210 Hizmetleri Ağ Geçidi modeli bulunur:

Aygıt	DDR Bellek	Ethernet Üzerinden Güç	Ses Desteği
J-SRX210B	512 MB	Yok	Yok
J-SRX210H	1 GB	Yok	Yok
J-SRX210H-POE	1 GB	Var	Yok
J-SRX210H-P-MGW	1 GB	Var	Var

NOT: J-SRX210H-PoE ve J-SRX210H-P-MGW modellerinde, 50 vat düzeyinde Ethernet Üzerinden Besleme (PoE), 4 bağlantı noktası üzerinde desteklenmektedir (ge-0/0/0, ge-0/0/1, fe-0/0/2 ve fe-0/0/3).

J-SRX210 Hizmetler Ağ Geçidinin Bağlanması ve Yapılandırılması

J-SRX210 Hizmetler Ağ Geçidinin herhangi bir modelini bağlamak ve ağını korumak üzere yapılandırmak için aşağıdaki bilgileri kullanın. Aygıtın durumunu belirlemenize yardımcı olması için, aygıtın ön panelindeki LED'lere bakın.

Birinci Bölüm: Hizmetler Ağ Geçidini Toprak Hattına Bağlama

1. Bir topraklama kablosu ediniz — 14 AWG tek telli, 4 A—halka tip, vinil yalıtımlı TV14-6R pabuçlu veya dengi; yetkili bir elektrikçi tarafından takılmalıdır.
2. Topraklama kablosunu uygun bir toprak hattına bağlayın.
3. Topraklama kablo pabucunu kasanın arka üst kısmındaki topraklama noktasına yerleştirin ve pabucu bir 6-32 UNC vidayla oturtun.

İkinci Bölüm: Güç Kablosunu Aygıtı Takma

Güç kablosunu aygıtı ve bir güç kaynağına bağlayın. Akım korumalı priz kullanmanızı salık veririz. Aşağıdaki göstergelere dikkat ediniz:

- POWER LED'i (yeşil): Aygıtta enerji gelmektedir.
- STATUS LED'i (yeşil): Aygıt normal şekilde çalışmaktadır.
- ALARM LED'i (kehribar): Aygıt normal şekilde çalışmaktadır ve henüz bir kurtarma yapılandırması kurulmuş olmadığından, kehribar rengi ışık yanıp sönebilir. Bu, telaşa kapılmayı gerektiren bir durum değildir.
- mPIM LED'i (sönük): "Mini-Physical Interface Module" (Mini-PIM) yoktur veya aygıt tarafından algılanmamıştır. Bu LED yeşil ve sürekli yanıyor, Mini-PIM işlevini normal biçimde yerine getiriyor demektir.

NOT: Bir kurtarma yapılandırmasının kurulmasının ardından, ALARM LED'inin kehribar rengi olması küçük çaplı bir tehlikeye işaret eder, ALARM LED'i kıpkırmızı olursa hizmetler ağ geçidinde önemli bir sorun var demektir.

NOT: Aygıtı çalıştırdıktan sonra tam olarak devreye girmesi için 5 ile 7 dakika arasında beklemeniz gerekmektedir. Bir sonraki bölüme geçmeden önce, STATUS LED'inin koyu yeşil duruma gelmesini bekleyiniz.

Üçüncü Bölüm: Yönetim Aygıtını Bağlama

Yönetim aygıtını hizmetler ağ geçidine aşağıdaki yöntemlerden birini kullanarak bağlayın:

- Ön panelde yer alan aşağıdaki bağlantı noktalarından biri ile yönetim aygıtı (iş istasyonu veya dizüstü bilgisayar) üzerindeki Ethernet bağlantı noktası arasına bir RJ-45 kablosu (Ethernet kablosu) bağlayın:
 - ge-0/0/1
 - fe-0/0/2 - fe-0/0/7

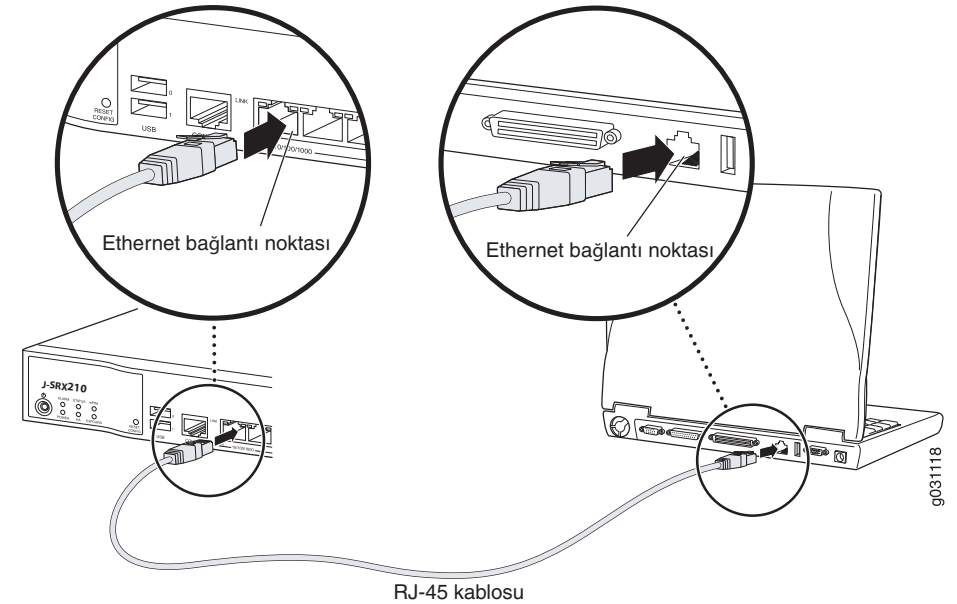
Önerdiğimiz bağlantı yöntemi budur. Bağlanmak için bu yöntemi kullanıyorsanız, 4. Bölüm'e geçin.

- CONSOLE yazılı bağlantı noktası ile aygıtla birlikte sağlanan DB-9 bağdaştırıcısını birbirlerine bir RJ-45 kablosuyla (Ethernet kablosu) bağlayın; DB-9 bağdaştırıcısı daha sonra yönetim aygıtı üzerindeki seri bağlantı noktasına bağlanacaktır. (Seri bağlantı noktası ayarları: **9600 8-N-1**.)

Başlanmak için bu yöntemi kullanıyorsanız,

<http://www.juniper.net/us/en/local/pdf/app-notes/3500153-en.pdf> adresinden indirebileceğiniz *Branch SRX Series Services Gateways Golden Configurations* dosyasında yer alan CLI yapılandırma işlemleriyle devam ediniz.

Bir yönetim arayüzünün bağlanmasıyla ilgili ayrıntılar için aşağıdaki çizime bakınız.



Dördüncü Bölüm: Öntanımlı Yapılandırma Ayarlarının Kavranması

J-SRX210 Hizmetler Ağ Geçidi, işlevlerini uygun biçimde yerine getirmek için aşağıdaki temel yapılandırma ayarlarının yapılmasını gerektiren güvenli bir yönlendirme aygıtıdır:

- Arayüzlere IP adresleri atanması zorunludur.
- Arayüzler alanlara bağımlı olmalıdır.
- Alanlar arasında trafiğe izin vermek / vermemek için kurallar yapılandırılmalıdır.
- Kaynak NAT kuralları yapılandırılmalıdır.

Aygıtı ilk kez çalıştırdığınızda, aygıt aşağıdaki öntanımlı yapılandırma ayarlarında olacaktır. Aygıtı çalıştırabilmek için herhangi bir ön yapılandırma yapmanıza gerek yoktur.

Arayüzler İçin Fabrika Öntanımlı Ayarlar

Bağlantı Noktası Adı	Arayüz	Güvenlik Alanı	DHCP Durumu	IP Adresi
0/0	ge-0/0/0	untrust	istemci	atanmamıştır
0/1 ve 0/2 ile 0/7 arası	ge-0/0/1 ve fe-0/0/2 ile fe-0/0/7 arası	trust	sunucu	192.168.1.1/24

Güvenlik Kuralları İçin Fabrika Öntanımlı Ayarlar

Kaynak Alan	Hedef Alan	Kural Eylemi
trust	untrust	izin ver
trust	trust	izin ver
untrust	trust	izin verme

NAT Kuralı İçin Fabrika Öntanımlı Ayarlar

Kaynak Alan	Hedef Alan	Kural Eylemi
trust	untrust	kaynak NAT'tan untrust alana arayüz

Beşinci Bölüm: Yönetim Aygıtının Bir IP Adresi Aldığını Yoklama

Yönetim aygıtını hizmetler ağ geçidine bağlamanızın ardından, hizmetler ağ geçidi üzerindeki DHCP sunucusu süreci, yönetim aygıtına kendiliğinden bir IP adresi atar. Yönetim aygıtının **192.168.1/24** alt ağında aygıttan (**192.168.1.1** dışında) bir IP adresi aldığını yoklayınız.

NOT:

- Hizmetler ağ geçidi, bir DHCP sunucu olarak işlev görür ve yönetim aygıtına bir IP adresi atar.
- Yönetim aygıtına bir IP adresi atanmazsa, **192.168.1.0/24** alt ağı içinde bir IP adresini kendiniz yapılandırınız. **192.168.1.1** IP adresini yönetim aygıtına atamayın, çünkü bu IP adresi aygıtı atanmıştır. Öntanımlı olarak, DHCP sunucusu L3 VLAN arayüzünde, (IRB) vlan.0 (ge-0/0/1 ve fe-0/0/2 - fe-0/0/7) üzerinde etkinleştirilmiştir ve **192.168.1.1/24** IP adresiyle yapılandırılmıştır.
- Bir J-SRX210 Serisi Hizmetler Ağ Geçidi ilk kez çalıştırıldığında, fabrika öntanımlı yapılandırmayı kullanarak açılır.

Altıncı Bölüm: Hizmetler Ağ Geçidine Bir IP Adresi Atandığını Yoklama

Hizmetler ağ geçidi üzerinde bir IP adresi almak için aşağıdaki yöntemlerden birini kullanın:

Birinci Yöntem: Hizmetler Ağ Geçidinize Dinamik Bir IP Adresi Alınması

İnternet Hizmet Sağlayıcınıza (ISP) bağlanmak için ge-0/0/0 bağlantı noktasını kullanın. ISP'niz, DHCP sürecini kullanarak bir IP adresi atar.

Hizmetler ağ geçidinize bir IP adresi almak için bu yöntemi kullanıyorsanız, aygıtınızı yapılandırılmak ve trafik akışı sağlamak için bu belgede yer alan 7. Bölüm'den 10. Bölüm'e kadar olan adımlarla devam edin.

İkinci Yöntem: Hizmetler Ağ Geçidinize Dinamik Bir IP Adresi Alınması

İnternet Hizmet Sağlayıcınıza (ISP) bağlanmak için ge-0/0/0 bağlantı noktasını kullanın. ISP'nizin değişmez bir IP adresi sağlamış olması gerekir. DHCP sürecini kullanarak bir IP adresi almayacaksınız.

Hizmetler ağ geçidinize bir IP adresi almak için bu yöntemi kullanıyorsanız, bu belgede 7. Bölüm'den 10. Bölüm'e kadar olan adımlardaki işlemleri yerine getirin.

Yedinci Bölüm: J-Web Arayüzüne Erişme

1. Yönetim aygıtında bir ağ göz atıcı uygulaması başlatın.
2. URL adresi alanına **http://192.168.1.1** değerini girin. J-Web giriş sayfası görüntülenir.
3. Öntanımlı "user name" olarak **root** girin. Password alanına herhangi bir değer girmeyin.
4. **Log In** üzerine tıklayın. J-Web Initial Setup sayfası görüntülenir.

Sekizinci Bölüm: Temel Ayarları Yapılandırma

Hizmetler ağ geçidiniz için Host Name, Domain Name ve Root Password gibi temel ayarları yapılandırın.

ÖNEMLİ: Yapılandırmayı uygulamadan önce IP adresini ve "root password" ayarlarını yapılandığınızı yoklayın.

NOT: Yıldız (*) ile işaretli bütün alanlar zorunludur.

Hizmetler ağ geçidinize bir IP adresi almak için 6. Bölüm'deki 2. Yöntem'i kullandıysanız, aşağıdaki J-Web değişikliklerini yapmanız gerekmektedir:

1. **Enable DHCP on ge-0/0/0.0** onay kutusunun işaretini kaldırın.
2. ISP'nizin verdiği IP adresini **ge-0/0/0.0** adres alanına elle (kendiniz) girin. Bu IP adresi *a.b.c.d/xx* biçiminde girilmelidir, burada *xx* ağ alt maskesidir.
3. Default Gateway alanına ağ geçidinin IP adresini girin. Ağ geçidinin IP adresi de ISP tarafından sağlanır.
4. **DNS name servers** alanına sunucu adlarını girin. Sunucu adları ISP'niz tarafından verilir.
5. Yapılandırmayı uygulayın.

Dokuzuncu Bölüm: Temel Yapılandırmayı Uygulama

1. Temel yapılandırmayı kaydetmek için **Commit** üzerine tıklayın.
2. Temel yapılandırmayı uygulamak için **Apply** üzerine tıklayın.

NOT: Arayüz yapılandırmasında herhangi bir değişiklik yapmak için <http://www.juniper.net/us/en/local/pdf/app-notes/3500153-en.pdf> adresindeki *Branch SRX Series Services Gateways Golden Configurations* belgesine bakın.

Onuncu Bölüm: Yapılandırmayı Doğrulama

İnternete bağlı olduğunuzu kesinleştirmek için <http://www.support.dell.com> adresine gidin. Bu bağlantılık, hizmetler ağı geçidi üzerinden trafik akışı sağlayabildiğinizi gösterir.

NOT: <http://www.support.dell.com> sayfası yüklenmezse, yapılandırma ayarlarınızı doğrulayın ve yapılandırmayı uyguladığınızdan emin olun.

Bu aşamaları tamamlamanızın ardından, herhangi bir trust bağlantı noktasından untrust bağlantı noktasına trafik akışı sağlayabilirsiniz.

Yakınsama Hizmetlerle Bütünleşik J-SRX210 Hizmetler Ağı Geçidinin Bağlanması ve Yapılandırılması

J-SRX210H-P-MGW model bir aygıtınız varsa, basın yayın ağı geçidinde ses desteğini yapılandırılmak ve aygıtınızı aramalar yapmak ve almak üzere kullanmaya başlamak için aşağıdaki bilgileri kullanın.

Aşağıdaki tablo, basın yayın ağı geçidinde ses desteğini yapılandırmanız için izlemeniz gereken adımları göstermektedir.

Adım	Görev	Adım	Görev
1	FXO ve FXS bağlantı noktalarını bağlayın.	7	Anayolu (trunk) yapılandırın.
2	J-Web arayüzüne erişin.	8	Anayol kümelerini yapılandırın.
3	Kısıtlama sınıfını yapılandırın.	9	Arama planını oluşturun.
4	SIP istasyonunu yapılandırın.	10	Basın yayın ağı geçidini yapılandırın.
5	Analog istasyonunu yapılandırın.	11	Sürdürülebilir arama sunucusunu yapılandırın.
6	Eşdüzeyli arama sunucusunu yapılandırın.		

Birinci Bölüm: FXO ve FXS Bağlantı Noktalarını Bağlama

- Aygıt üzerindeki bir FXS bağlantı noktasını (FXS1 veya FXS2) telefon, belgegeçer veya modem gibi bir analog aygıtta bir RJ-11 kablo ile bağlayın.
- Aygıt üzerindeki bir FXO bağlantı noktasını (FXO1 veya FXO2) bir RJ-11 kablosuyla merkezi işyeri (CO) anahtarlarına veya bir PSTN üzerindeki bir istasyon bağlantı noktasına bağlayın.
- PoE bağlantı noktalarından (ge-0/0/0, ge-0/0/1, fe-0/0/2, fe-0/0/3) herhangi biri ile VoIP telefon arasına bir Ethernet kablosu bağlayın.

İkinci Bölüm: J-Web Arayüzüne Erişme

- Yönetim aygıtında bir ağ göz atıcı uygulaması başlatın.
- J-SRX210 Hizmetler Ağı Geçidinin Bağlanması ve Yapılandırılması bölümünde açıklanan ilk yapılandırma sırasında belirlediğiniz kimlik bilgileriyle giriş yapın.
- J-Web Dashboard sayfası görüntülenir.

Üçüncü Bölüm: Kısıtlama Sınıfını Yapılandırma

Arama türü izinlerini belirlemeye yönelik kuralı tanımlamak üzere kısıtlama sınıfını yapılandırın:

- Configure > Convergence Services > Station > Class of Restriction** seçimini yapın. Class of Restriction Configuration sayfası görüntülenir.
- Yeni bir kısıtlama sınıfı oluşturmak üzere **Add** üzerine tıklayın. New Class of Restriction sayfası görüntülenir.
- Class of Restriction alanına bir ad girin.
- Oluşturmakta olduğunuz kısıtlama sınıfına yeni bir kural eklemek üzere **Add** üzerine tıklayın. New Policy Configuration sayfası görüntülenir.
- Aşağıdaki eylemleri gerçekleştirin:

Alan	Eylem
Policy Name	Kural için bir ad belirtin.
Available Call types	Yapılandırmanız için uygulanabilir arama türlerini seçin.
Permissions	Seçili arama türleri için izinler (allow veya deny) seçin.

NOT: Öntanımlı olarak yalnızca şubeler arası veya acil aramalara izin verilmektedir.

Dördüncü Bölüm: SIP İstasyonunu Yapılandırma

NOT: Aygıtın ilk yapılandırması için, istasyon şablonlarını yapılandırmanız gerekmemektedir. Öntanımlı değerleri kullanabilirsiniz.

- Configure > Convergence Services > Station** seçimini yapın. Station Configuration sayfası görüntülenir.
- Yeni istasyonu eklemek ve aşağıdaki zorunlu adımları gerçekleştirmek üzere **Add** üzerine tıklayın:

Alan	Eylem
Name	İstasyon için bir ad belirtin.
Extensions	İstasyonun dahili numarasını girin.
Class of Restriction	Daha önceden yapılandırılmış bulunan kısıtlama sınıfını seçin.
Template Name	Daha önceden tanımlanmış olan istasyon şablonunu seçin.

Ortak bir yapılandırmayı paylaşabilmeleri için analog şablonları benzer şekilde yapılandırabilirsiniz.

Beşinci Bölüm: Analog İstasyonunu Yapılandırma

- Configure > Convergence Services > Station** seçimini yapın. Station Configuration sayfası görüntülenir.
- Yeni istasyonu eklemek ve aşağıdaki zorunlu adımları gerçekleştirmek üzere **Add** üzerine tıklayın:

Alan	Eylem
Name	İstasyon için bir ad belirtin.
Extensions	İstasyonun dahili numarasını girin.
Class of Restriction	Daha önceden yapılandırılmış bulunan kısıtlama sınıfını seçin.

Alan	Eylem
Template Name	Daha önceden tanımlanmış olan istasyon şablonunu seçin.
TDM Interface	Yapılandırılacak TDM arayüzü türünü belirtin (FXO, FXS veya T1).

NOT: Ortak bir yapılandırmayı paylaşabilmeleri için her bir SIP istasyonunu benzer şekilde yapılandırabilirsiniz.

Altıncı Bölüm: Eşdüzeyle Arama Sunucusunu Yapılandırma

Aygıt için arama yönlendirme ve arama yönetimi hizmetlerini sağlayan eşdüzeyle arama sunucusunu yapılandırın:

- Configure > Convergence Services > Call Server** seçimini yapın. Peer Call Server Configuration sayfası görüntülenir.
- Aşağıdaki zorunlu temel eylemleri gerçekleştirin:

Alan	Eylem
Name	Eşdüzeyle arama sunucusunun adını belirleyin.
PSTN Access Number	Sürdürülebilir arama sunucusu PSTN ile doğrudan iletişim kurmak zorundaysa, sürdürülebilir arama sunucusu için harici PSTN numarasını belirtin.
Address Type	Adres türünü fqdn veya ipv4-address olarak seçin.
FQDN	Tam nitelikli alan adını girin.
IP Address	Eşdüzeyle arama sunucusunun IP adresini girin.

NOT: Eşdüzeyle arama sunucusunu yapılandırırken:

- Aygıtın kimliğini eşdüzeyle arama sunucusu üzerinde doğrulaması için, eşdüzeyle arama sunucusunun yöneticisi tarafından sağlanan kullanıcı kimlik ve şifre ayrıntılarını vermeniz gerekebilir.
- Port (5060) ve Transport (UDP) alanlarındaki öntanımlı değerleri kabul edebilirsiniz.
- Aygıtın ilk yapılandırması için, istasyon şablonlarını yapılandırmanız gerekmemektedir. Öntanımlı kod çözücü takımı kullanılır. Öntanımlı olarak, kod çözücüler aşağıdaki sırada belirtilir: 711-µ, G711-A, G729AB.

Yedinci Bölüm: Bir Anayol Yapılandırma

Aygıt tarafından kullanılacak bir PSTN zaman bölmeli çoklama (TDM) arayüzü için bir anayol veya aramaları hedefe yönlendirmek için kullanılacak sürdürülebilir arama sunucusunu yapılandırın.

- Configure > Convergence Services > Gateway > Trunks** seçimini yapın. New Trunk Configuration sayfası görüntülenir.
- Aşağıdaki eylemleri gerçekleştirin:

Alan	Eylem
Trunk Name	Anayol için bir ad belirtin.
Trunk Type	Anayol türünü seçin (FXO, FXS veya T1).
TDM Interface	Belirli arama türlerini yönlendirmek için yapılandırılacak TDM arayüzü türünü seçin (FXO, FXS veya T1).

Sekizinci Bölüm: Anayol Kümelerini Yapılandırma

Bir anayol kümesi, bir aramayı yönlendirmek için seçilmeleri gereken öncelik sırasında belirlenmiş birden çok anayol içerir.

- Configure > Convergence Services > Gateway > Trunk Groups** seçimini yapın. Trunk Group Configuration sayfası görüntülenir.
- Yeni bir anayol kümesi oluşturmak ve aşağıdaki zorunlu adımları gerçekleştirmek üzere **Add** üzerine tıklayın:

Alan	Eylem
Name	Anayol kümesi için bir ad belirtin.
Available Trunks	Kurulumunuza uygulanabilir anayolları seçin.

Dokuzuncu Bölüm: Arama Planı Oluşturma

Eşdüzeyle arama sunucusunun şubedeki SIP telefonlardan / analog istasyonlardan dışarı yapılan aramaları PSTN'sine yönlendirmesini sağlamak için arama planını oluşturun:

- Configure > Convergence Services > Dial Plan** seçimini yapın ve **Dial Plan'a** tıklayın. Dial Plan Configuration sayfası görüntülenir.
- Yeni bir arama planı oluşturmak üzere **Add**'e tıklayın. New Dial Plan Configuration sayfası görüntülenir.
- Dial Plan Name alanına bir isim girin ve **Add** üzerine tıklayın. New Route Pattern Configuration sayfası görüntülenir.
- Aşağıdaki zorunlu temel eylemleri gerçekleştirin:

Alan	Eylem
Route Pattern	Yön örüntüsü adını belirtin.
Call Type	Arama türünü seçin. Öntanımlı seçim anayol aramasıdır.
Trunk-groups	Yön örüntüsüne eklenecek önceden yapılandırılmalı anayol kümelerini seçin.

NOT: "Preference" ve "Digit Manipulation" alanları için öntanımlı değerleri seçebilirsiniz.

Onuncu Bölüm: Basın Yayın Ağ Geçidini Yapılandırma

Kullanıcıların şube içinde ve eşdüzeyle arama sunucusu arama yönlendirme ve arama yönetimi hizmetleri sağlamak için erişilebilir olduğunda harici aramalar yapabilmelerini sağlamak üzere basın yayın ağ geçidini yapılandırın.

- Configure > Convergence Services > Media Gateway > Gateway** seçimini yapın. Media Gateway Configuration sayfası görüntülenir.
- Add** üzerine tıklayın ve aşağıdaki zorunlu ayarları girin:

Alan	Eylem
Media Gateway	Aygıt adını belirtin.
Call Server	İlişkilendirilecek bir eşdüzeyle arama sunucusu seçin.
Dial Plan	Önceden yapılandırılmış bir arama planı seçin.
Zone	Basın yayın ağ geçidi ve sürdürülebilir arama sunucusu hizmetlerini belirtilen alan için etkinleştirmek üzere aygıtın alanı için hizmet noktasını belirtin.

NOT: Port (5060) ve Transport (UDP) alanlarındaki öntanımlı değerleri kabul edebilirsiniz.

Onbirinci Bölüm: Sürdürülebilir Arama Sunucusunu Yapılandırma

Bu sunucu, eşdüzeyle arama sunucusu erişilemez olduğunda eşdüzeyle arama sunucusunun görevlerini üstlenir.

1. **Configure > Convergence Services > Call Server** seçimini yapın. Survivable Call Service sayfası görüntülenir.
2. Yeni bir anayol kümesi oluşturmak ve aşağıdaki zorunlu adımları gerçekleştirmek üzere **Add** üzerine tıklayın:

Alan	Eylem
Call Service Name	Arama hizmetinin adını belirtin.
Call Server	Eşdüzeyle arama sunucusunun adını seçin.
Dial Plan	Sürdürülebilir arama sunucusu için kullanılacak, önceden yapılandırılmış arama planını seçin.
Zone	Alanın adını belirtin.

NOT: Arama hizmetinin yapılandırılmasında kullanılan diğer bütün değişkenler isteğe bağlıdır ve bu değişkenler için belirlenmiş olan öntanımlı değerleri kabul edebilirsiniz.

Aygıtın Kapatılması

Aygıtı aşağıdaki iki yoldan birini kullanarak kapatabilirsiniz:

- Sakin kapanma — “Power” düğmesine basıp hemen bırakın. Aygıt, işletim sistemini sakince kapatmaya başlar.
- Derhal kapanma — “Power” düğmesine basın ve 10 saniye basılı tutun. Aygıt hemen kapanır. Aygıtı yeniden açmak için “Power” düğmesine yeniden basın.

NOT: J-Web arayüzü içinde **Maintain > Reboot** öğelerini seçerek sistemi yeniden başlatabilir veya durdurabilirsiniz.

Ek yapılandırma bilgileri için,

<http://www.juniper.net/us/en/local/pdf/app-notes/3500153-en.pdf> adresindeki *Branch SRX Series Services Gateways Golden Configurations* belgesine bakınız.

Ayrıntılı yazılım yapılandırması bilgileri için,

<http://www.juniper.net/techpubs/software/junos-srx/index.html> adresindeki yazılım belgelerine bakınız.

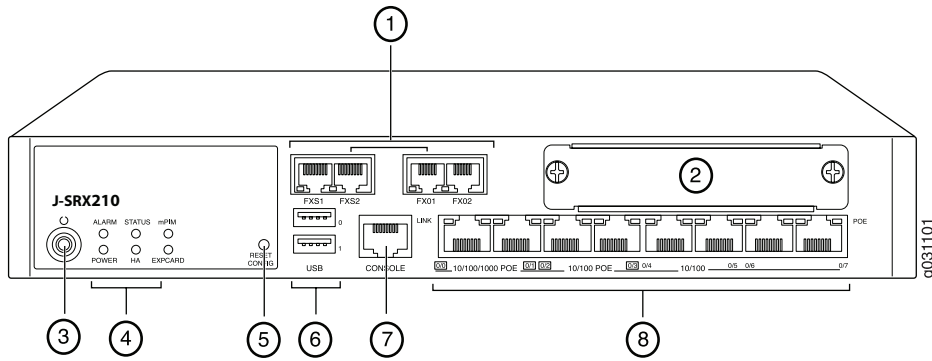
Dell İle Bağlantı Kurulması

Teknik destek için, <http://www.support.dell.com> adresine bakınız.

שער שירותים Dell PowerConnect J-Series J-SRX210 מדרין הפעלה מהירה

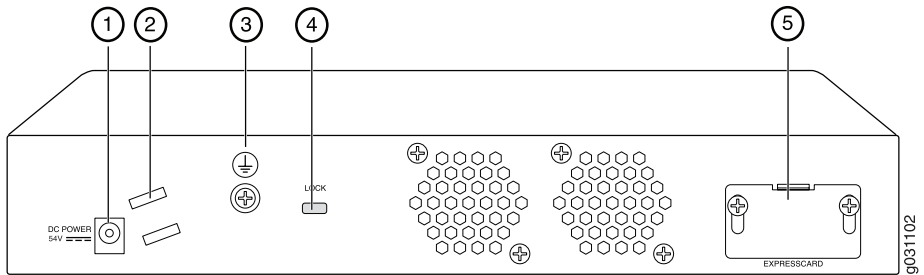


שער שירותים J-SRX210 עם שירותי התכנות משולבים (J-SRX210H-P-MGW) לוח קדמי



סימון	תיאור	סימון	תיאור
1	יציאות קול FXS ו-FXO	5	לחצן Reset Config (איפוס הגדרות)
2	חריץ Mini-PIM	6	יציאות USB
3	לחצן Power (הפעלה)	7	יציאת מסוף
4	נוריות ALARM LED (התראה), POWER (הפעלה), STATUS (סטטוס), EXPCARD, mPIM, HA	8	יציאות Gigabit Ethernet (0/1 ו-0/0) ויציאות Ethernet מהיר (0/2 עד 0/7)

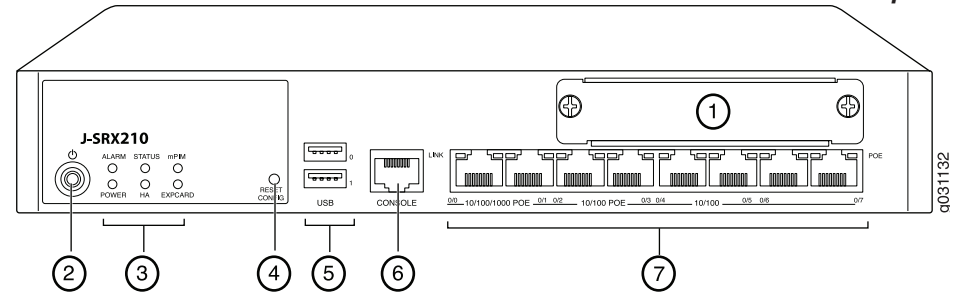
שער שירותים J-SRX210 עם שירותי התכנות משולבים (J-SRX210H-P-MGW) לוח אחורי



סימון	תיאור	סימון	תיאור
1	כניסת ספק כוח	4	מנעול לכבל אבטחה
2	חבק קשירה לכבלים	5	חריץ ExpressCard
3	נקודת הארקה		

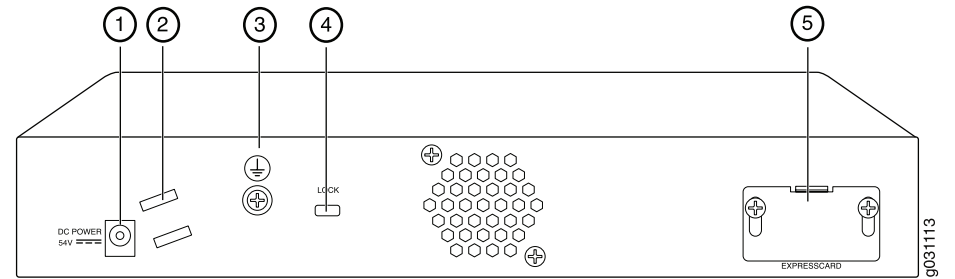
היעזר בהוראות במדרין הפעלה מהירה זה כדי לחבר את Dell PowerConnect J-Series J-SRX210 Services Gateway לרשת. לפרטים, עיין ב-J-SRX210 Services Gateway Hardware Guide. כתובת <http://www.support.dell.com/manuals> (מספר דגם תקינה SRX210)

שער שירותים J-SRX210 (דגמי J-SRX210B, J-SRX210H, J-SRX210H-POE) לוח קדמי



סימון	תיאור	סימון	תיאור
1	חריץ Mini-PIM	5	יציאות USB
2	לחצן Power (הפעלה)	6	יציאת מסוף
3	נוריות ALARM LED (התראה), POWER (הפעלה), STATUS (סטטוס), EXPCARD, mPIM, HA	7	יציאות Gigabit Ethernet (0/1 ו-0/0) ויציאות Ethernet מהיר (0/2 עד 0/7)
4	לחצן Reset Config (איפוס הגדרות)		

שער שירותים J-SRX210 (דגמי J-SRX210B, J-SRX210H, J-SRX210H-POE) לוח אחורי



סימון	תיאור	סימון	תיאור
1	כניסת ספק כוח	4	מנעול לכבל אבטחה
2	חבק קשירה לכבלים	5	חריץ ExpressCard
3	נקודת הארקה		



530-036269 REV 01

דגמי שער שירותים J-SRX210

ניתן להשיג את ארבעת הדגמים הבאים של שער השירותים J-SRX210:

התקן	זיכרון DDR	הספק על גבי Ethernet	תמיכה בקול
J-SRX210B	512 MB	לא	לא
J-SRX210H	1 GB	לא	לא
J-SRX210H-POE	1 GB	כן	לא
J-SRX210H-P-MGW	1 GB	כן	כן

הערה: בדגמי J-SRX210H-PoE ו-J-SRX210H-P-MGW, הספק על גבי Ethernet (PoE) של 50 וט נתמך ב-4 יציאות (ge-0/0/0, ge-0/0/1, fe-0/0/2, ו-fe-0/0/3).

חיבור והגדרת תצורה של שער שירותים J-SRX210

היעזר בהנחיות להלן לחיבור ולהגדרה של כל אחד מדגמי שער שירותים J-SRX210 להגנה על הרשת שלך. שים לב לנויות בלוח הקדמי של ההתקן כדי לקבוע את סטטוס ההתקן.

חלק 1: חבר את שער השירותים להארקה

1. השתמש בכבל הארקה 14 AWG בעל תיל אחד, 4 A מסוג טבעתי, בעל בידוד ויניל TV14-6R או שווה ערך; החיבור יבוצע על ידי חשמלאי מוסמך.
2. חבר את כבל ההארקה אל חיבור הארקה תקין.
3. הצב את קצה כבל ההארקה על נקודת ההארקה שבחלקו האחורי העליון של הגוף ואבטח אותו בעזרת בורג 6-32 UNC אחד.

חלק 2: חבר את כבל המתח להתקן

חבר את כבל המתח להתקן ולמקור מתח. מומלץ להשתמש במגן מפני קפיצות מתח. שים לב לחיוויים הבאים:

- נורית POWER (הפעלה) (ירוק): ההתקן מחובר למקור מתח.
 - נורית STATUS (סטטוס) (ירוק): פעילות רגילה של ההתקן.
 - נורית ALARM (התראה) (צהוב): פעילות רגילה של ההתקן, הנורית עשויה לדלוק בצבע צהוב מכיוון שלא הוגדרה תצורת הצלה. מצב זה אינו מצב פאניקה.
 - נורית mPIM (כבויה): מודול Mini-Physical Interface Module (Mini-PIM) אינו נמצא או שאינו מזהה על-ידי ההתקן. אם נורית זו דולקת בירוק רציף, פירוש הדבר הוא שמודול Mini-PIM פועל באופן רגיל.
- הערה:** לאחר הגדרת תצורת מצב הצלה, נורית ALARM (התראה) בצבע צהוב מציינת התראה שולית, ונורית ALARM (התראה) בצבע אדום רציף מציינת קיום בעיה מהותית בשער השירותים.
- הערה:** יש לאפשר להתקן בין 5 ל-7 דקות זמן אתחול לאחר הפעלתו. המתן עד שנורית STATUS (סטטוס) דולקת בצבע ירוק רציף לפני שתעבור לחלק הבא.

חלק 3: חבר את התקן הניהול

חבר את התקן הניהול לשער השירותים באמצעות אחת מהשיטות הבאות:

- חבר כבל RJ-45 (כבל Ethernet) מאחת מהיציאות הבאות בלוח הקדמי אל יציאת Ethernet בהתקן הניהול (תחנת עבודה או מחשב נייד):

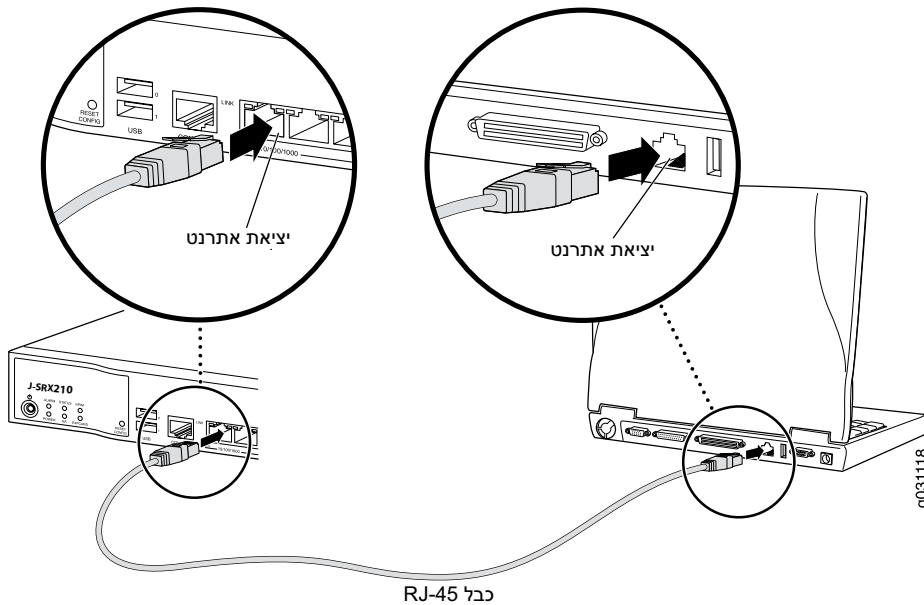
- ge-0/0/1
- fe-0/0/2 עד fe-0/0/7

מומלץ להשתמש בשיטת חיבור זו. אם אתה משתמש בשיטת חיבור זו, עבור לחלק 4.

- חבר כבל RJ-45 (כבל Ethernet) מהיציאה המסומנת CONSOLE (מסוף) אל מתאם DB-9 המצורף, המתחבר ליציאה הטורית בהתקן הניהול. (הגדרות יציאה טורית: **8-N-1 9600**).

אם אתה משתמש בשיטת חיבור זו, עבור להוראות הגדרת תצורת CLI שניתן למצוא תחת *Branch SRX Series Services Gateways Golden Configurations* בכתובת <http://www.juniper.net/us/en/local/pdf/app-notes/3500153-en.pdf>.

עיין באיור להלן לפרטים על חיבור ממשק ניהול.



חלק 4: הבן את הגדרות תצורת ברירת המחדל

שער השירותים J-SRX210 הוא התקן ניתוב מאובטח המחייב שימוש בהגדרות התצורה הבסיסיות הבאות כדי לפעול באופן תקין:

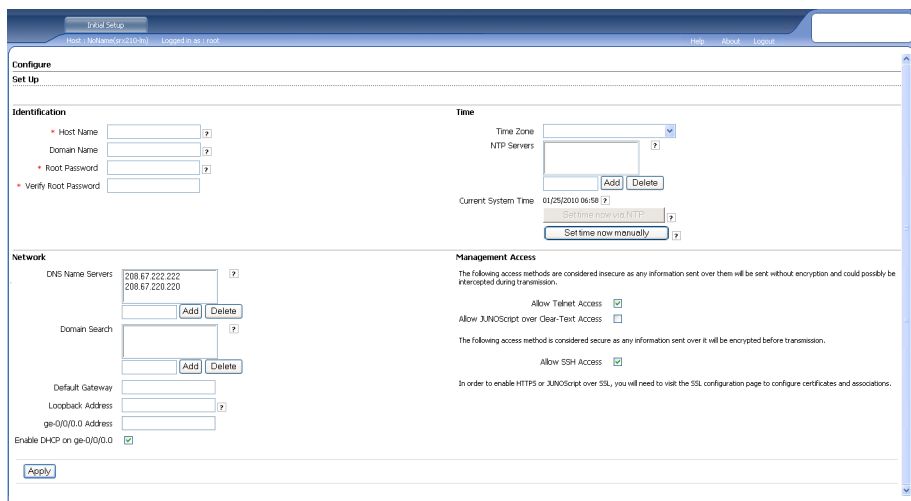
- יש להקצות כתובות IP לממשקים.
- על הממשקים להיות מוגבלים לאזורים.
- יש להגדיר קווי מדיניות בין אזורים כדי לאפשר/למנוע תעבורה.
- יש להגדיר כללי NAT מקור.

הגדרת התצורה הבאה מוגדרת כברירת מחדל בהתקן כאשר אתה מפעיל אותו בפעם הראשונה. כדי שתוכל להשתמש בהתקן, אין צורך לבצע הגדרת תצורה ראשונית כלשהי.

אם אתה משתמש בשיטה זו לקבלת כתובת IP בשער השירותים, המשך בביצוע ההוראות מחלק 7 עד חלק 10 במסמך זה.

חלק 7: גש לממשק J-Web

1. הפעל דפדפן אינטרנט בהתקן הניהול.
2. הזן **http://192.168.1.1** בשדה כתובת URL. מוצג דף הכניסה של J-Web.
3. ציין את שם משתמש ברירת המחדל כ-**root** (שורש). אל תזין ערך כלשהו בשדה Password (סיסמה).
4. לחץ על **Log In** (כניסה). מוצג דף J-Web Initial Setup (הגדרה ראשונית).



חלק 8: קבע את ההגדרות הבסיסיות

קבע את ההגדרות הבסיסיות כגון Host Name (שם מארח), Domain Name (שם תחום), ו-Root Password (סיסמת שורש) עבור שער השירותים שלך. **חשוב:** ודא שהגדרת את כתובת IP ואת סיסמת השורש לפני שתחיל את הגדרות התצורה. **הערה:** כל השדות המסומנים בכוכבית (*) הם שדות חובה. אם השתמשת בשיטה 2 בחלק 6 לקבלת כתובת IP בשער השירותים שלך, הקפד לבצע את השינויים הבאים ב-J-Web:

1. בטל את הבחירה בתיבת הסימון **Enable DHCP on ge-0/0/0.0** (אפשר DHCP ב-ge-0/0/0.0).
2. הזן את כתובת IP הידנית שקיבלת מספק שירותי אינטרנט שלך בשדה כתובת **ge-0/0/0.0**. יש להזין את כתובת IP בתבנית *a.b.c.d/xx*, כאשר *xx* הוא מסיכת רשת המשנה.
3. הזן את כתובת IP של השער בשדה **Default Gateway** (שער ברירת מחדל). כתובת IP של השער מסופקת אף היא על-ידי ספק שירותי האינטרנט.
4. הזן את שמות השרת בשדה **DNS name servers** (שרתי שמות DNS). שמות השרת יסופקו על-ידי ספק שירותי האינטרנט.
5. החל את הגדרות התצורה.

הגדרות ברירת המחדל של היצרן עבור ממשקים

סימון יציאה	ממשק	אזור אבטחה	מצב DHCP	כתובת IP
0/0	ge-0/0/0	untrust	לקוח	לא מוקצה
0/1 וגם 0/2 עד 0/7	ge-0/0/1 וגם fe-0/0/2 עד fe-0/0/7	trust	שרת	192.168.1.1/24

הגדרות ברירת המחדל של היצרן עבור מדיניות אבטחה

אזור מקור	אזור יעד	פעולת מדיניות
trust	untrust	מותר
trust	trust	מותר
untrust	trust	מניעה

הגדרות ברירת המחדל של היצרן עבור כלל NAT

אזור מקור	אזור יעד	פעולת מדיניות
trust	untrust	ממשק NAT מקור לאזור untrust

חלק 5: ודא שהתקן הניהול מקבל כתובת IP

לאחר שחיברת את התקן הניהול לשער השירותים, תהליך שרת DHCP בשער השירותים יקצה אוטומטית כתובת IP להתקן הניהול. ודא שהתקן הניהול מקבל מההתקן כתובת IP ברשת המשנה **192.168.1.24** (כתובת שאיננה **192.168.1.1**).

הערה:

- שער השירותים פועל כשרת DHCP ויקצה כתובת IP להתקן הניהול.
- אם לא מוקצית כתובת IP להתקן הניהול, הגדר ידנית כתובת IP ברשת המשנה **192.168.1.0/24**. אל תקצה את כתובת IP מספר **192.168.1.1** להתקן הניהול, כתובת IP זו מוקצית להתקן עצמו. כברירת מחדל, שרת DHCP מופעל בממשק **vlan.0, L3 VLAN (IRB)** (וגם ge-0/0/1 עד fe-0/0/7), המוגדר בכתובת IP של **192.168.1.1/24**.
- כאשר התקן מסדרת שער שירותים J-SRX210 Series מופעל בפעם הראשונה, הוא מאותחל עם הגדרות ברירת המחדל של היצרן.

חלק 6: ודא שכתובת IP מוקצית להתקן שער השירותים

השתמש באחת מהשיטות הבאות כדי לקבל כתובת IP בשער השירותים:

שיטה 1: קבלת כתובת IP דינמית בשער השירותים שלך

השתמש ביציאה ge-0/0/0 כדי להתחבר לספק שירותי האינטרנט שלך (ISP). ספק שירותי האינטרנט שלך יקצה כתובת IP באמצעות תהליך DHCP.

אם אתה משתמש בשיטה זו לקבלת כתובת IP בשער השירותים, המשך בביצוע השלבים מחלק 7 עד חלק 10 במסמך זה כדי להגדיר את תצורת ההתקן ולהעביר תעבורה.

שיטה 2: קבלת כתובת IP סטטית בשער השירותים שלך

השתמש ביציאה ge-0/0/0 כדי להתחבר לספק שירותי האינטרנט שלך. ספק שירותי האינטרנט סיפק לך כתובת IP סטטית. לא תקבל כתובת IP באמצעות תהליך DHCP.

חלק 9: החל את הגדרת התצורה הבסיסית

1. לחץ על **Commit** (בצע) כדי לשמור את הגדרת התצורה הבסיסית.
 2. לחץ על **Apply** (החל) כדי להחיל את הגדרת התצורה הבסיסית.
- הערה:** כדי לבצע שינויים כלשהם בהגדרות תצורת הממשק, עיין ב- *Branch SRX Series Services Gateways Golden Configurations* בכתובת <http://www.juniper.net/us/en/local/pdf/app-notes/3500153-en.pdf>.

חלק 10: אמת את הגדרות התצורה

גש אל <http://www.support.dell.com> כדי לוודא שאתה מחובר לאינטרנט. קישוריות זו מוודאת שבאפשרותך להעביר תעבורה דרך שער השירותים.

הערה: אם דף <http://www.support.dell.com> אינו נטען, בדוק את הגדרות התצורה, ואז ודא שהחלת את הגדרות התצורה.

לאחר שהשלמת שלבים אלה, תוכל להעביר תעבורה מכל יציאה trust ליציאה untrust.

חיבור והגדרת תצורה של שער שירותים J-SRX210 עם שירותי התכנסות משולבים

אם אתה משתמש בדגם J-SRX210H-P-MGW, השתמש בהנחיות להלן להגדרת תמיכה בקול בשער המדיה וכדי להתחיל להשתמש בהתקן לביצוע ולקבלה של שיחות.

הטבלה שלהלן מספקת סקירה של השלבים שעליך לבצע כדי להגדיר תמיכה בקול בשער המדיה.

שלב	משימה	שלב	משימה
1	חבר את יציאות FXS ו-FXS.	7	הגדר את העורק (trunk).
2	גש אל ממשק J-Web.	8	הגדר קבוצות עורקים.
3	הגדר את סיווג ההגבלה.	9	צור את תוכנית החיוג.
4	הגדר את תחנת SIP.	10	הגדר את שער המדיה.
5	הגדר את התחנה האנלוגית.	11	הגדר את שרת השיחות השורד (survivable).
6	הגדר את שרת שיחות העמיתים.		

חלק 1: חבר את יציאות FXS ו-FXS

1. חבר יציאת FXS (FXS1 או FXS2) בהתקן, להתקן אנלוגי כגון טלפון, פקס או מודם באמצעות כבל RJ-11.
2. חבר יציאת FXO (FXO1 או FXO2) בהתקן, למתגי המרכזייה (CO) או ליציאת תחנה ב-PSTN באמצעות כבל RJ-11.
3. חבר כבל Ethernet מכל אחת מיציאות PoE (fe-0/0/3, fe-0/0/2, ge-0/0/1, ge-0/0/0) אל טלפון VoIP.

חלק 2: גש לממשק J-Web

1. הפעל דפדפן אינטרנט מהתקן הניהול.
2. היכנס באמצעות הפרטים שהגדרת התצורה הראשונית כמתואר בסעיף "חיבור והגדרת תצורה של שער שירותים J-SRX210".
3. מוצג דף J-Web Dashboard.

חלק 3: הגדר את סיווג ההגבלה

הגדר את סיווג ההגבלה כדי להגדיר את המדיניות המיועדת לציין הרשאות סוגי שיחה:

1. בחר **Configure** (הגדרה) < **Convergence Services** (שירותי התכנסות) < **Station** (תחנה) < **Class of Restriction** (סיווג הגבלה). מוצג דף **Class of Restriction Configuration** (הגדרת סיווג הגבלה).
2. לחץ על **Add** (הוסף) כדי ליצור סיווג חדש של הגבלה. מוצג דף **New Class of Restriction** (סיווג הגבלה חדש).
3. הזן את השם בשדה **Class of Restriction** (סיווג הגבלה).
4. לחץ על **Add** (הוסף) כדי להוסיף מדיניות חדשה לסיווג ההגבלה שאתה יוצר. מוצג דף **New Policy Configuration** (הגדרת מדיניות חדשה).
5. בצע את הפעולות הבאות:

שדה	פעולה
Policy Name (שם מדיניות)	ציין שם עבור המדיניות
Available Call Types (סוגי שיחות זמינים)	בחר את סוגי השיחות המתאימים לתצורה שלך.
Permissions (הרשאות)	הגדר הרשאות (אפשר או מניעה) עבור סוגי השיחות שבחרו.

הערה: כברירת מחדל מותרות רק שיחות בתוך ענפים ושיחות חירום.

חלק 4: הגדר את תחנת SIP

הערה: להגדרת תצורה ראשונית של ההתקן, אין צורך להגדיר את תבניות התחנות. ניתן להשתמש בערכי ברירת המחדל.

1. בחר **Configure** (הגדרה) < **Convergence Services** (שירותי התכנסות) < **Station** (תחנה). מוצג דף **Station Configuration** (הגדרת תחנה).
2. לחץ על **Add** (הוסף) כדי להוסיף את התחנה החדשה ולבצע את פעולות החובה הבסיסיות הבאות:

שדה	פעולה
Name (שם)	ציין שם עבור התחנה.
Extensions (שלוחות)	הזן את מספר השלוחה של התחנה.
Class of Restriction (סיווג הגבלה)	בחר את סוג ההגבלה שכבר הגדרת.
Template Name (שם תבנית)	בחר את תבנית התחנה שכבר הוגדרה.

באפשרותך להגדיר את התבניות האנלוגיות כך שיהיו דומות כדי שיוכלו להשתתף בהגדרת תצורה משותפת.

חלק 5: הגדר את התחנה האנלוגית

1. בחר **Configure** (הגדרה) < **Convergence Services** (שירותי התכנסות) < **Station** (תחנה). מוצג דף **Station Configuration** (הגדרת תחנה).
2. לחץ על **Add** (הוסף) כדי להוסיף את התחנה החדשה ולבצע את פעולות החובה הבסיסיות הבאות:

שדה	פעולה
Name (שם)	ציין שם עבור התחנה.
Extensions (שלוחות)	הזן את מספר השלוחה של התחנה.
Class of Restriction (סיווג הגבלה)	בחר את סוג ההגבלה שכבר הגדרת.

שדה	פעולה
Template Name (שם תבנית)	בחר את תבנית התחנה שכבר הוגדרה.
TDM Interface (TDM)	ציין את סוג ממשק TDM המיועד להגדרה (FXS, FXO, או T1).

הערה: באפשרותך להגדיר את תחנות SIP השונות באופן דומה כדי שהן יוכלו להשתתף בהגדרת תצורה משותפת.

חלק 6: הגדר את שרת שיחות העמיתים

הגדר את שרת שיחות עמיתים המספק שירותי ניתוב שיחות וטיפול בשיחות עבור ההתקן:

- בחר **Configure** (הגדרה) < **Convergence Services** (שירותי התכנסות) < **Call Server** (שרת שיחות). מוצג דף Peer Call Server Configuration (הגדרת שרת שיחות עמיתים).
- בצע את פעולות החובה הבסיסיות הבאות:

שדה	פעולה
Name (שם)	ציין את השם של שרת שיחות עמיתים.
PSTN Access Number (מספר גישה אל PSTN)	ציין את מספר PSTN החיצוני עבור שרת שיחות שורד (survivable) לשימוש אם עליו ליצור קשר ישיר עם PSTN.
Address Type (סוג כתובת)	בחר את סוג הכתובת, בחר בין fqdn לבין ipv4-address (כתובת ipv4).
FQDN	הזן שם תחום מוחלט (Fully Qualified Domain Name).
IP Address (כתובת IP)	הזן את כתובת IP של שרת שיחות עמיתים.

הערה: בעת הגדרת שרת שיחות עמיתים:

- כדי שההתקן יוכל לאמת את עצמו מול שרת שיחות עמיתים, ייתכן שתצטרך לספק את פרטי מזהה המשתמש והסיימה של ההתקן כדי שאלה ניתנו על ידי המנהל של שרת שיחות עמיתים.
- תוכל לאשר את ערכי ברירת המחדל בשדות Port (5060) ו-Transport (UDP).
- להגדרת תצורה ראשונית של ההתקן, אין צורך לציין את ה-codec. נעשה שימוש במערכת ברירת מחדל של codecs. כבירת מחדל, codecs מוגדרים בסדר הבא: G729AB, G711-A, 711-μ.

חלק 7: הגדר עורק (trunk)

הגדר עורק עבור ממשק (TDM) PSTN time-division multiplexing שימש את ההתקן או את שרת השיחות השורד לניתוב שיחות אל היעד.

- בחר **Configure** (הגדרה) < **Convergence Services** (שירותי התכנסות) < **Gateway** (שער) < **Trunks** (עורקים). מוצג דף New Trunk Configuration (הגדרת עורק חדש).
- בצע את הפעולות הבאות:

שדה	פעולה
Trunk Name (שם עורק)	ציין שם עבור העורק.
Trunk Type (סוג עורק)	בחר את סוג העורק (FXS, FXO, או T1).
TDM Interface (ממשק TDM)	ציין את סוג ממשק TDM המיועד להגדרה (FXS, FXO, או T1) לניתוב סוגים מסוימים של שיחות.

חלק 8: הגדר קבוצות עורקים

קבוצות עורקים מורכבת ממספר עורקים המוגדרים לפי סדר עדיפויות לבחירתם בעת ניתוב שיחה.

- בחר **Configure** (הגדרה) < **Convergence Services** (שירותי התכנסות) < **Gateway** (שער) < **Trunk Groups** (קבוצות עורקים). מוצג דף Trunk Group Configuration (הגדרת קבוצת עורקים).
- לחץ על **Add** (הוסף) כדי ליצור קבוצת עורקים חדשה ולבצע את פעולות החובה הבאות:

שדה	פעולה
Name (שם)	ציין שם עבור קבוצת העורקים.
Available Trunks (עורקים זמינים)	בחר את העורקים המתאימים לתצורה שלך.

חלק 9: צור את תוכנית החיוג

צור את תוכנית החיוג כדי לאפשר לשרת שיחות עמיתים לנתב שיחות יוצאות שמקורן בטלפוני SIP/תחנות אנלוגיות בענף אל ה-PSTN שלו:

- בחר **Configure** (הגדרה) < **Convergence Services** (שירותי התכנסות) < **Dial Plan** (תוכנית חיוג), ולחץ על **Dial Plan** (תוכנית חיוג). מוצג דף Dial Plan Configuration (הגדרת תוכנית חיוג).
- לחץ על **Add** (הוסף) כדי ליצור תוכנית חיוג חדשה. מוצג דף New Dial Plan Configuration (הגדרת תוכנית חיוג חדשה).
- הזן שם בשדה Dial Plan Name (שם תוכנית חיוג) ולחץ על **Add** (הוסף). מוצג דף New Route Pattern Configuration (תצורת תבנית ניתוב חדשה).
- בצע את פעולות החובה הבסיסיות הבאות:

שדה	פעולה
Route Pattern (תבנית ניתוב)	ציין שם עבור תבנית הניתוב.
Call Type (סוג שיחה)	בחר סוג שיחה. ברירת המחדל היא שיחת עורק.
Trunk-groups (קבוצות עורקים)	בחר את קבוצות העורקים שהוגדרו מראש ושברצונך לכלול בתבנית הניתוב.

הערה: באפשרותך לקבל את ערכי ברירת המחדל עבור השדות Preference (העדפה) ו-Digit Manipulation (שינוי ספרות).

חלק 10: הגדר את שער המדיה

הגדר את שער המדיה כך שיאפשר למשתמשים לבצע שיחות בתוך הענף וחיצונית כאשר שרת שיחות עמיתים נגיש לאספקת ניתוב שיחות ושירותים אחרים של טיפול בשיחות:

- בחר **Configure** (הגדרה) < **Convergence Services** (שירותי התכנסות) < **Media Gateway** (שער מדיה) < **Gateway** (שער). מוצג דף Media Gateway Configuration (הגדרת שער מדיה).
- לחץ על **Add** (הוסף) והזן את הגדרות החובה הבאות:

שדה	פעולה
Media Gateway (שער מדיה)	ציין את שם ההתקן.
Call Server (שרת שיחות)	בחר שרת שיחות עמיתים שאליו ייווצר השייך.
Dial Plan (תוכנית חיוג)	בחר תוכנית חיוג מוגדרת מראש.
Zone (אזור)	ציין את נקודת השירות עבור האזור של ההתקן כדי לאפשר את שירותי שער המדיה ושרת שיחות שורד עבור האזור שנבחר.

הערה: תוכל לאשר את ערכי ברירת המחדל בשדות Port (5060) ו-Transport (UDP).

חלק 11: הגדרת שרת השיחות השורד (Survivable)

שרת זה לוקח על עצמו את תחומי האחראיות של שרת שיחות עמיתים כאשר שרת שיחות עמיתים אינו בר-השגה:

1. בחר **Configure** (הגדרה) < **Convergence Services** (שירותי התכנסות) < **Call Service** (שירות שיחות). מוצג דף Survivable Call Service (שירות שיחות שורד).
2. לחץ על **Add** (הוסף) כדי ליצור שירות שיחות חדש ולבצע את פעולות החובה הבסיסיות הבאות:

שדה	פעולה
Call Service Name (שם שירות שיחות)	ציין את השם של שירות השיחות.
Call Server (שרת שיחות)	בחר את שם שרת שיחות עמיתים.
Dial Plan (תוכנית חיג)	בחר את תוכנית החיג שהוגדרה מראש לשימוש עבור שרת השיחות השורד.
Zone (אזור)	ציין שם עבור האזור.

הערה: כל יתר הפרמטרים הדרושים להגדרת שירות השיחות הם אופציונליים וניתן לאשר את ערכי ברירת המחדל המוגדרים עבור פרמטרים אלה.

כיבוי ההתקן

ניתן לכבות את ההתקן באחת הדרכים הבאות:

- כיבוי מסודר - לחץ ושחרר מיד את לחצן Power (הפעלה). ההתקן מתחיל בכיבוי מסודר של מערכת ההפעלה.
- כיבוי מידי - לחץ על לחצן Power (הפעלה) והחזק אותו לחוץ למשך 10 שניות. ההתקן כובה מיד. לחץ שוב על לחצן Power (הפעלה) להפעלת ההתקן.

הערה: באפשרותך לאתחל מחדש או לעצור את המערכת בממשק J-Web על-ידי בחירה ב-**Maintain** (תחזוקה) < **Reboot** (אתחול).

למידע נוסף אודות הגדרות תצורה, עיין ב-*Branch SRX Series Services Gateways Golden Configurations* בכתובת <http://www.juniper.net/us/en/local/pdf/app-notes/3500153-en.pdf>.

למידע מפורט אודות הגדרות תצורת התוכנה, עיין בתיעוד התוכנה בכתובת <http://www.juniper.net/techpubs/software/junos-srx/index.html>.

יצירת קשר עם Dell

לתמיכה טכנית, ראה <http://www.support.dell.com>.